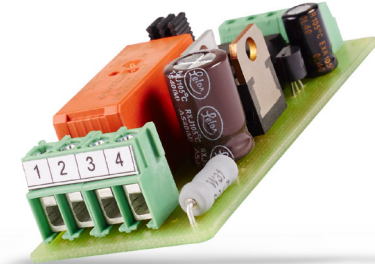


TR-EM-165 Positioning Driver Data sheet

TR-EM-165 Positioning Driver

TR-EM-165 is a positioning driver and a power stage for controlling a DC-motor. TR-EM-165 is designed for controlling a motor equipped with potentiometer feedback. The driver is best suited for slow and medium speed systems with transitional periods of 2 – 30s (from end to end).

Positioning is achieved by defining a set value through the external potentiometer or by providing a 0-5V signal from a PLC driver. The driver compares the feedback value to the set value. As these values approach each other, the driver slows down and stops when they are identical.



3rd

Third party product

Technical data:

- Operating voltage: 12-32VDC (ripple max. 30%)
- Load capacity: 5A continuous
8A max. 15 s.
12A max. 5 s.
- Idle current: < 40mA
- Current limit: 2A, 4A, 7A and 12A (DIP - switch)
- Accuracy: +/- 1%
- Protection: Overheat (self recovery)
- Input ranges: 1-10VDC
- Pot. recommendation: 1-100 Kohm
- Error out: NPN open-coll. 30V 50mA
- Operating temp.: -20 to 60°C
- Dimensions: 72.5 x 31.0 x 24.0
- Weight: Approx. 40g



ELECTROMEN Oy

The specified product is produced by Electromen Oy

Specifications subject to change without prior notice.
It is the responsibility of the product user to determine the suitability of the products for a specific application. LINAK Danmark will at point of delivery replace/repair defective products covered by the warranty if promptly returned to LINAK Danmark. No liability is assumed beyond such replacement/repair.

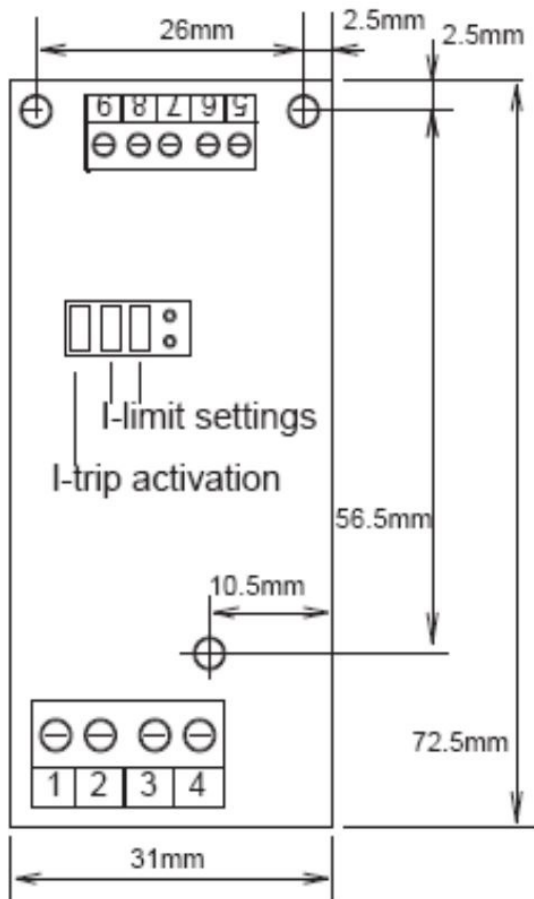
LINAK® accepts no responsibility for possible errors or inaccuracies in catalogues, brochures, and other material. LINAK reserves the right to change its products without prior notice. LINAK cannot guarantee product availability and reserves the right to discontinue the sale of any product. The user is responsible for determining the suitability of LINAK products for a specific application. All sales are subject to the 'Standard Terms of Sale and Delivery', available on LINAK websites.

LINAK and the LINAK logotype are registered trademarks of LINAK A/S. All rights reserved.

Continued

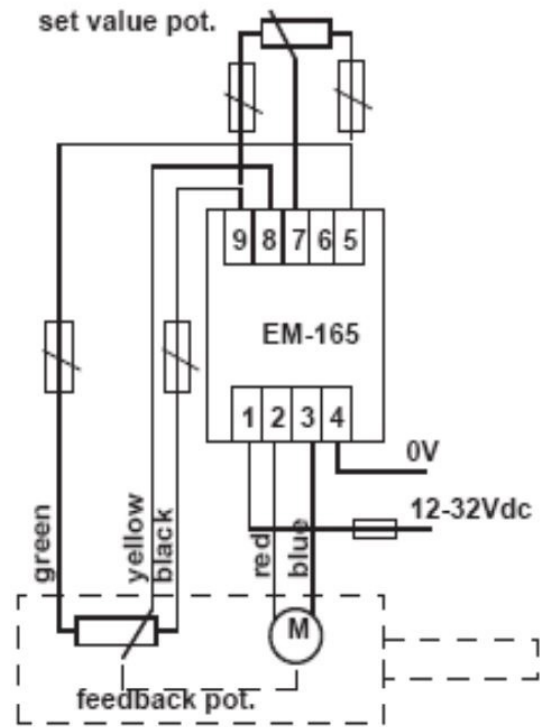
Dimensions

TR-EM-165 is designed to be fastened with 3 ø3mm screws.



Connection

Device connected to a LA12P, feedback coming from spindle motor potentiometer.



Ordering:

0-5V Control:

0-10V Control:

Ordering no.: TR-EM-165-0-5

Ordering no.: TR-EM-165-0-10