



# SILS Contact Strip Data sheet

# SILS Contact Strip

A Contact strip can be used to secure a raising/lowering system if there is a risk of trapping or collision between two surfaces, for example adjustable desk tops and top cabinets.

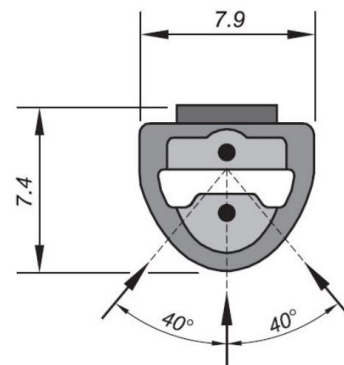
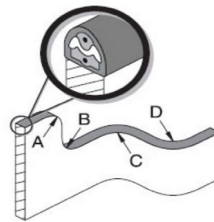
The type SILS Contact strip is compatible with several LINAK control boxes. Due to the modest installation dimensions, it can be used for many different types of applications. The SILS Contact strip can easily be installed on existing systems.



Third party product

## Technical data:

- Recommended length: Min. 70mm, max. 8m
- Max. radius on bending: A = >120mm  
B = >150mm  
C+D = >20mm
- Static load: Max. 50N
- Operating temp.: -25 to +80°C
- Attachment: Self-adhesive tape
- Suitable for attachment to most level, varnished surfaces. Durability is improved significantly if the surface is degreased and primed before the safety edge is attached



## MAYSER®

The specified product is produced by Mayser GmbH & Co. KG.

Specifications subject to change without prior notice.  
It is the responsibility of the product user to determine the suitability of the products for a specific application. LINAK Danmark will at point of delivery replace/repair defective products covered by the warranty if promptly returned to LINAK Danmark. No liability is assumed beyond such replacement/repair.

LINAK® accepts no responsibility for possible errors or inaccuracies in catalogues, brochures, and other material. LINAK reserves the right to change its products without prior notice. LINAK cannot guarantee product availability and reserves the right to discontinue the sale of any product. The user is responsible for determining the suitability of LINAK products for a specific application. All sales are subject to the 'Standard Terms of Sale and Delivery', available on LINAK websites.

LINAK and the LINAK logotype are registered trademarks of LINAK A/S. All rights reserved.

Continued

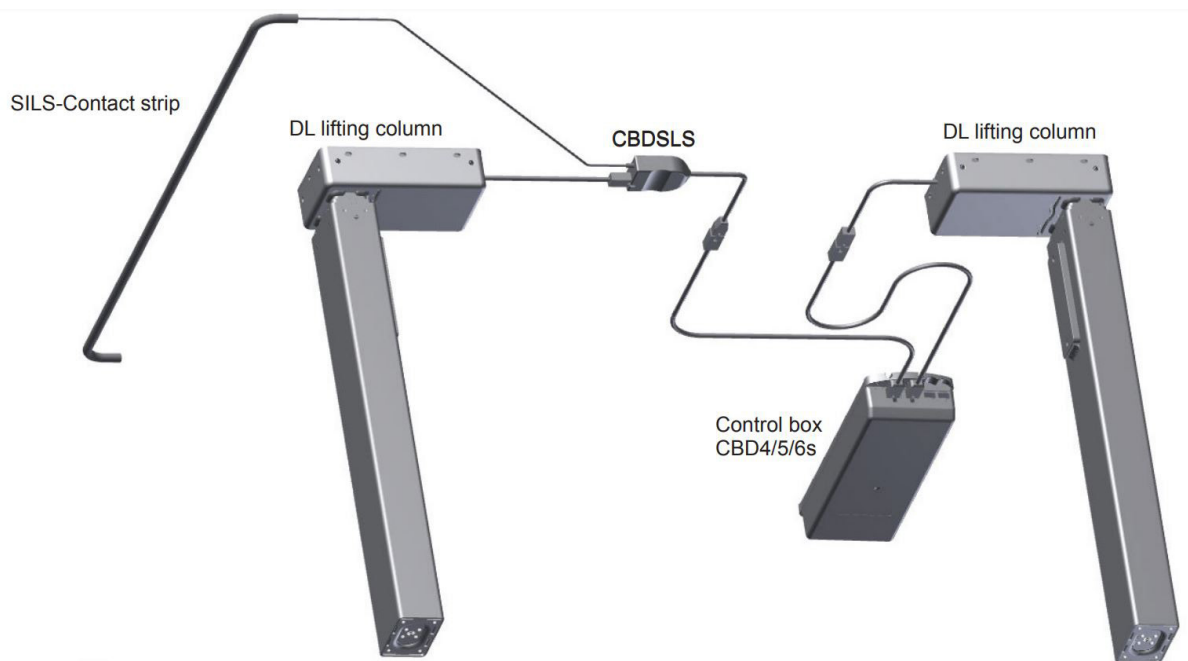
**Function:**

The SILS Contact strip can be ordered in 15 different lengths from 1 m to 8 m in steps of ½ m. To establish communication between the Contact strip and the control box, a LINAK CBDSLS must be used. This ensures that the safety edge disconnects the movement of the height adjustable system and automatically running approximately 50 mm in the opposite direction, before stopping completely.

The Contact strip disconnects as a “normal” NO switch. This means that the safety edge disconnects the movement when it is subject to pressure.

**Connection:**

The SILS safety edge and CBDSLS are connected between the motor cable on one DL lifting column and the control box.



**Start-up:**

Before the system can be used, it must be initialised. This is performed as follows:

1. Use the control's DOWN button to lower the lifting columns to the lowest position.
2. Hold the DOWN button in for approximately 5 seconds.
3. The system is now ready for operation.

**Notice!**

As default only one SILS-Safety edge can be operated on a CBD-control box. Please contact LINAK Danmark A/S for customized solutions.

*Continued*

**Ordering:**

*On ordering a complete SILS-system, choose the CBDSLS box together with the desired length of the Contact strip. Notice that the strip can be shortened as needed.*

<i>CBDSLS box:</i>	<i>Ordering no.: CBDSLS001</i>
<i>1,0 m Contact Strip:</i>	<i>Ordering no.: SILS0043DK</i>
<i>1,5 m Contact Strip:</i>	<i>Ordering no.: SILS0044DK</i>
<i>2,0 m Contact Strip:</i>	<i>Ordering no.: SILS0045DK</i>
<i>2,5 m Contact Strip:</i>	<i>Ordering no.: SILS0046DK</i>
<i>3,0 m Contact Strip:</i>	<i>Ordering no.: SILS0047DK</i>
<i>3,5 m Contact Strip:</i>	<i>Ordering no.: SILS0048DK</i>
<i>4,0 m Contact Strip:</i>	<i>Ordering no.: SILS0049DK</i>
<i>4,5 m Contact Strip:</i>	<i>Ordering no.: SILS0050DK</i>
<i>5,0 m Contact Strip:</i>	<i>Ordering no.: SILS0051DK</i>
<i>5,5 m Contact Strip:</i>	<i>Ordering no.: SILS0052DK</i>
<i>6,0 m Contact Strip:</i>	<i>Ordering no.: SILS0053DK</i>
<i>6,5 m Contact Strip:</i>	<i>Ordering no.: SILS0054DK</i>
<i>7,0 m Contact Strip:</i>	<i>Ordering no.: SILS0055DK</i>
<i>7,5 m Contact Strip:</i>	<i>Ordering no.: SILS0056DK</i>
<i>8,0 m Contact Strip:</i>	<i>Ordering no.: SILS0057DK</i>