



# Control Rocker Switch Data sheet

# Control Rocker Switch

---

The Rocker Switch is made for changing directions of actuator movement. Combined with a LINAK motor control, this is a simple and cheap solution for suitable for use in simple applications.



---

## Technical data:

- Function: Change over switch with off position in the center
- Ambient temp.: -30 to 55°C
- IP degree: Up to IP65 when mounted in a box



The specified product is produced by Marquardt GmbH.

Specifications subject to change without prior notice.

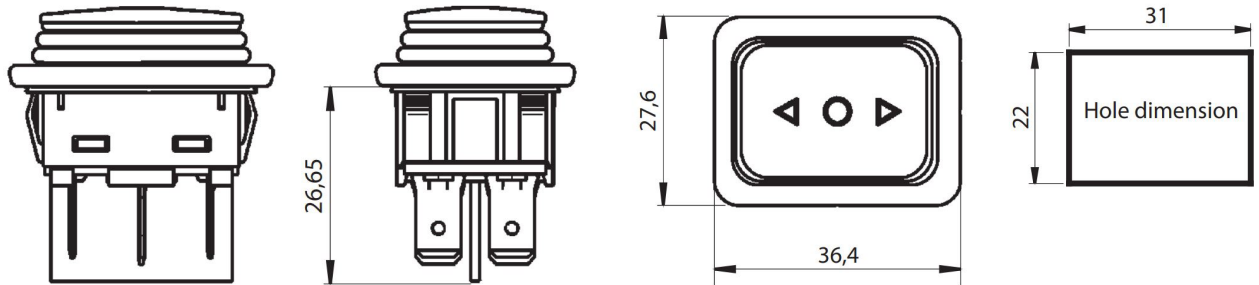
It is the responsibility of the product user to determine the suitability of the products for a specific application. LINAK Danmark will at point of delivery replace/repair defective products covered by the warranty if promptly returned to LINAK Danmark. No liability is assumed beyond such replacement/repair.

LINAK® accepts no responsibility for possible errors or inaccuracies in catalogues, brochures, and other material. LINAK reserves the right to change its products without prior notice. LINAK cannot guarantee product availability and reserves the right to discontinue the sale of any product. The user is responsible for determining the suitability of LINAK products for a specific application. All sales are subject to the 'Standard Terms of Sale and Delivery', available on LINAK websites.

LINAK and the LINAK logotype are registered trademarks of LINAK A/S. All rights reserved.

Continued

### Dimensions



### Connection

Diagram CB09P/CB14/CBD with switch

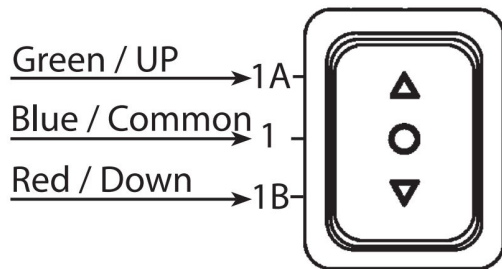


Diagram CB07/CB08/CB10/CB12/CB18/CBJ with switch

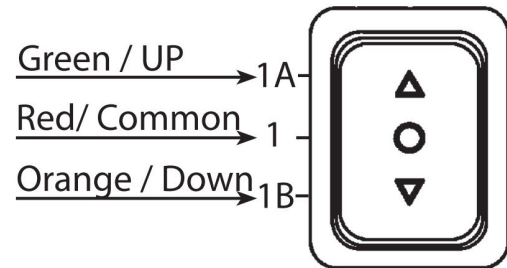
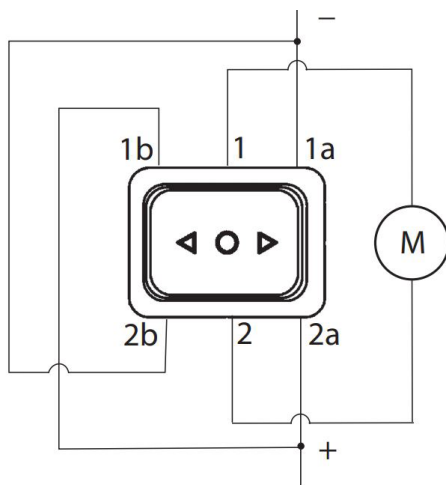
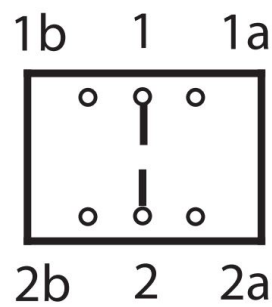


Diagram for direct connection

Notice! No overcurrent protection.



Diagram/switch function



### Ordering:

Control Rocker Switch:

Ordering no.: TR-1939.3314-00