



Battery Backup (WCU-UPS)

Data sheet

Battery Backup (WCU-UPS)

Add a battery backup to ensure a fail-safe operation in case of power cut-offs. Battery backup is an external back-up battery that is designed for emergency supply of an actuator system.

On disruption of the main supply, the battery backup can supply the control unit with voltage, so that it is still possible to run the actuator(s). Depending on the control unit's setting, the actuator(s) can run to a pre-programmed position.

Battery backup is compatible with these LINAK TECH systems:

WCU, WCU-Light, TR-EM 165, TR-EM 167, TR-EM 208, TR-EM 288 and LAXXIC



Technical data:

- Supply: 23-34 VDC
- Power consumption with supply voltage connected: Max. 0.9 A on charging, 0.25 mA on standby
- Power consumption only with battery connected: 4mA standby, sleep mode 0,5mA
- Output: 5 A cont.; 12 A 5 min.; 15 A 10 sec. (with 2.9A/h/24 VDC)
- Charge current: Max 0.5A
- Output type: PNP max 20mA

Features:

- Polycarbonate housing IP66
- The battery back-up system with 24 VDC consists of 2 pcs. 2.9 amp/h 12 VDC batteries in series and an EM-312 control board. The control unit charges the battery and interrupts charging when the battery is fully charged.
- During charging the control unit continuously tests that the battery is ok.
- A battery test can be performed by pressing the test button.
- The control unit protects the battery from running down and stops before this takes place. The control unit closes down and goes into "sleep mode".
- There are outputs to indicate battery error, just as the diode on the PCB indicates the nature of the error.



ELECTROMEN OY

The specified product is produced by Electromen OY

Specifications subject to change without prior notice.

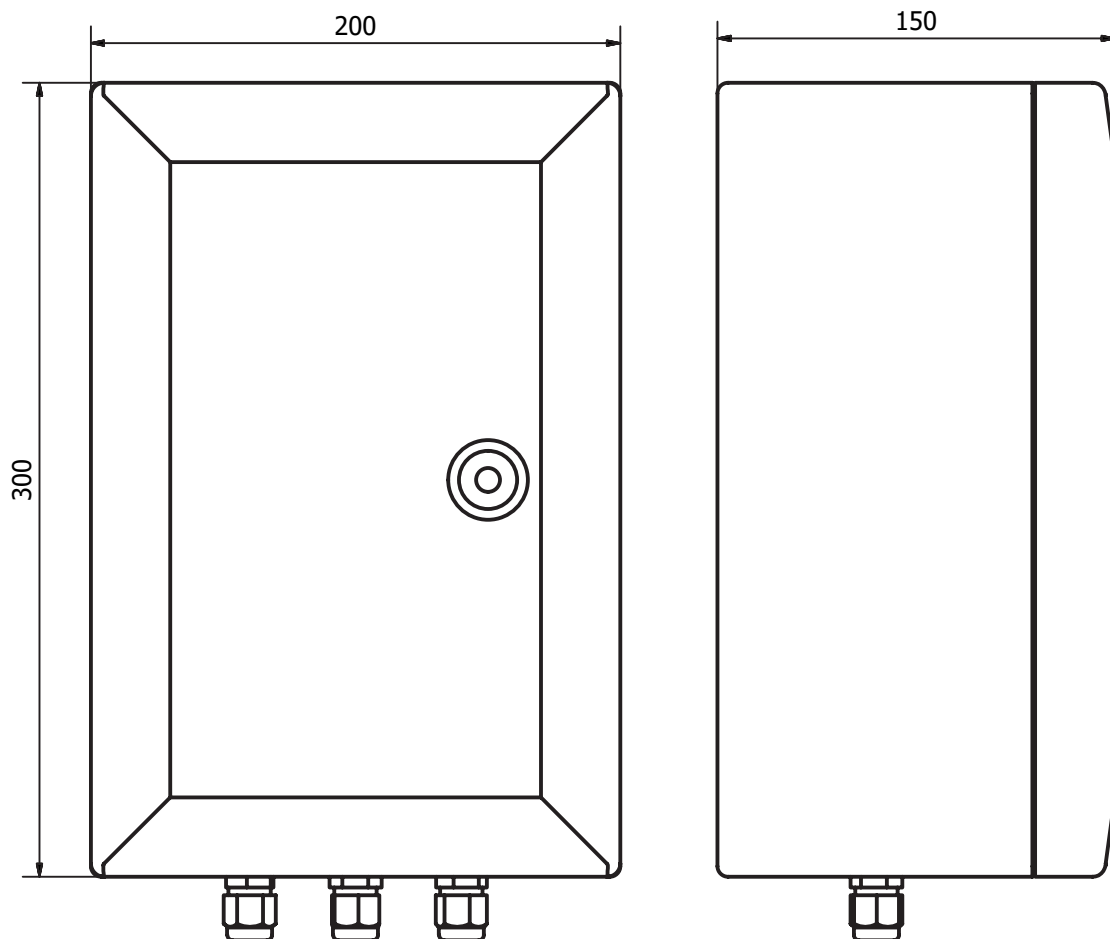
It is the responsibility of the product user to determine the suitability of the products for a specific application. LINAK Danmark will at point of delivery replace/repair defective products covered by the warranty if promptly returned to LINAK Danmark. No liability is assumed beyond such replacement/repair.

LINAK® accepts no responsibility for possible errors or inaccuracies in catalogues, brochures, and other material. LINAK reserves the right to change its products without prior notice. LINAK cannot guarantee product availability and reserves the right to discontinue the sale of any product. The user is responsible for determining the suitability of LINAK products for a specific application. All sales are subject to the 'Standard Terms of Sale and Delivery', available on LINAK websites.

LINAK and the LINAK logotype are registered trademarks of LINAK A/S. All rights reserved.

continued

Dimensions in mm



Ordering:

Battery backup unit WCU-UPS:

Ordering no.: TREM0065DK