



Actuator LA31
Data sheet

LA31

The LA31 actuator is a very quiet and powerful linear actuator designed for a variety of desk applications ranging from kitchen applications to industrial table purposes. The LA31 actuator fits into very narrow places, as it is very compact. The LA31 is designed for use together with the DESKLINE control boxes CBD4, CBD5 and CBD6 and it either can work as a single actuator or used in parallel drive.



Features:

- 12 V DC motor
- Thrust up to 3500 N
- Small built-in dimension with short piston rod eye and back fixture
- High-strength plastic housing protects motor and gears
- Colour: black
- Straight cable with mini fit connector (0.25 m)
- Built-in limit switches (not adjustable)
- Scratch and wear-resistant powder painting on outer tube $\varnothing 30$ mm
- Strong wear and corrosion resistant stainless steel inner tube
- Brake which increases the self-locking to 2500 N for LA31 with 6 mm pitch
- Noise level 48dB(A); measuring method DS/EN ISO 3746, actuator not loaded
- Hall sensors (24 pulses per spindle revolution) for exact positioning of memory control and compatibility with CBD

Options:

- Safety nut for push applications

Usage:

- Single or parallel drive
- Duty cycle: Max. 10 % or 2 minutes continuous use followed by 19 minutes not in use
- Ambient temperature +5°C to +40°C
- Compatible with DESKLINE® CBD4, CBD5 or CBD6 control boxes and DESKLINE® controls
- Approved according to EN 60335-1
- Approved according to UL 962
- Storage and transport temperature: -20 °C to + 70 °C

Dimensions of LA31 in combination with CBD4:

LA31 in combination with CBD4 needs to be initialized at starting up. The stroke length is therefore reduced and the installation dimension increased. The values are the same for the different spindle types.

Reduction of stroke length	Increase of installation dimensions
3 mm	2.5 mm

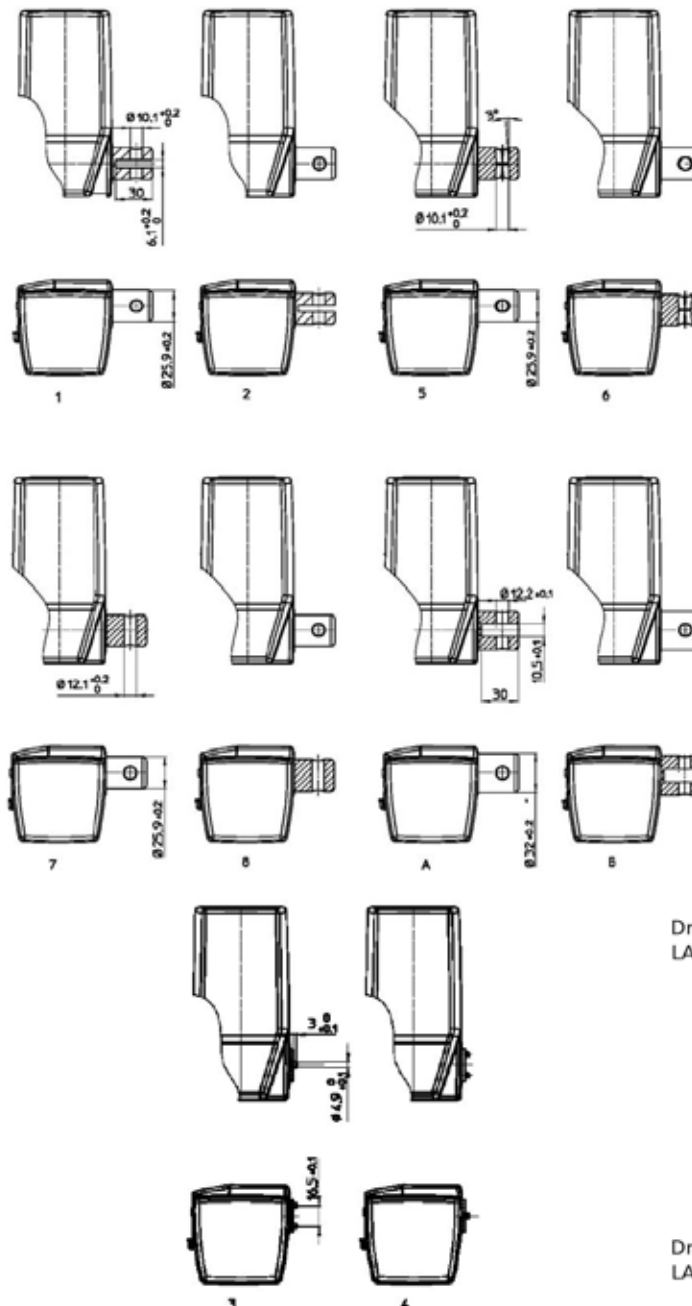
Technical specifications:

Spindle type Standard 12 V motor with CBD4	Spindle pitch [mm]	Max. load [N]	Typically Speed [mm/s]		Self lock [N]
			unloaded	loaded	
311XXX-X0XXXXXX	3	3500	5	5	3500
317XXX-X1XXXXXX	6	2500	10	10	2500
313XXX-X1XXXXXX	9	1500	15	15	1500
316XXX-X1XXXXXX	12	1000	20	20	1000

CBD4 with a 200 W transformer:

- Up to 2 x LA31 can be connected. The speed is constant within the working range.
- CBD4 with a 300 W transformer: Up to 4 LA31 can be connected. The speed is constant within the working range.

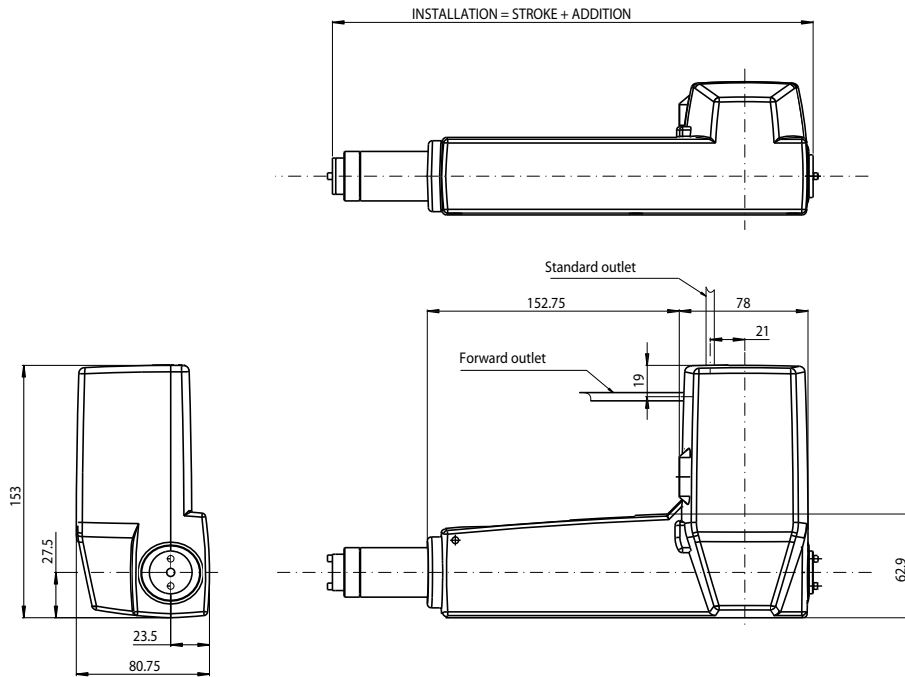
Back fixtures:



Drawing no.
LA31007B

Drawing no.
LA31911A

Dimensions LA31



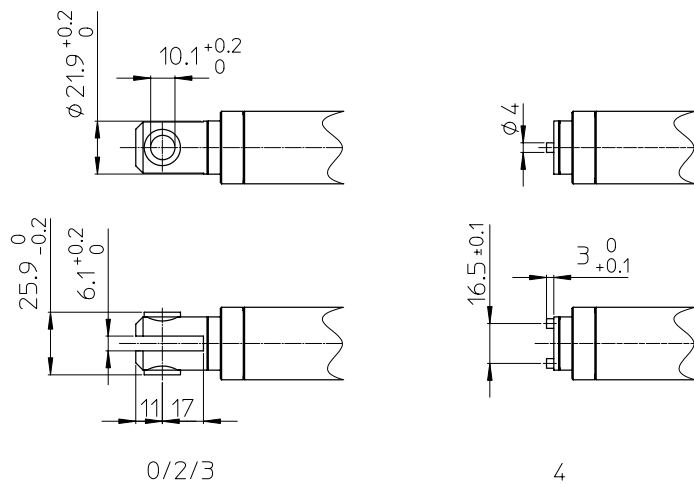
Additions to the installation dimensions with different combinations of piston rod eyes and back fixtures to LA31.

LA31 Standard		
Stroke length > 115 mm	Stroke length > 115 mm	
Piston rod eye Type 0	Type 4	
Back Fixture		
1/2	S + 173 mm	
3/4		S + 139 mm

S = Stroke length

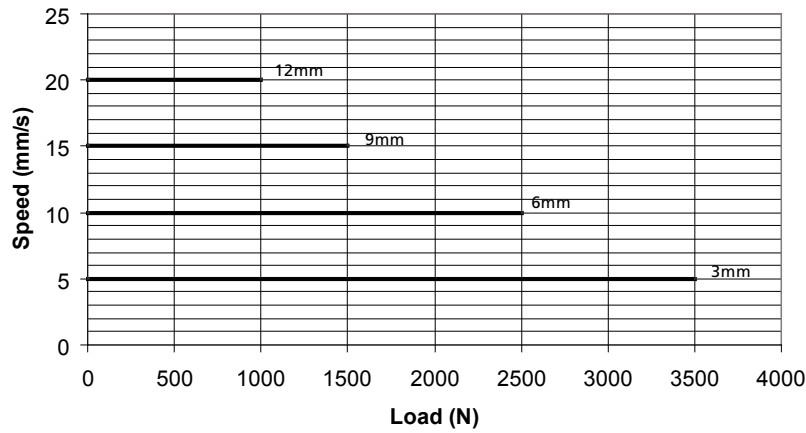
For stroke lengths of 115 mm or less the installation dimension will be 288 mm, for actuators with back fixture 1/2 and piston rod eye type 0.
Min. installation dimension with back fixture 3/4 and piston rod eye 4, is 254 mm.

Piston Rod Eyes:



Technical specification graphs:

LA31 12V motor with CBD4/5/6



LA31 DESKLINE

Ordering example:

31 3 3 4 H - 0 1 100 0 0 Q

- Cables:** S = Mini fit cable 0.25m (black) forward outlet for CBD4 (always with hall)
- IP degree:** 0 = Standard
- Motor type:** 5 = 12VDC Standard motor for CBD4/5/6 (always with cable type S)
- Stroke length:** XXX = Max 500 mm
- Brake:** 0 = Standard (none)
1 = Brake push
- Spindle:** 0 = Standard (none)
1 = Safety Nut
- Colour:** - = Black
- Position:** H = Hall
- Piston rod eye:** 0 = Standard with slot (031339)
1 = Standard solid
2 = Standard painted
3 = Standard gold chrom
4 = Standard for DL2
- Back fixture:** 1 = Standard with 6.1 mm slot, ø10.1mm hole (031189-B)
2 = Standard with 6.1 mm slot, ø10.1mm hole, turned 90° (031189-B)
3 = Standard DL2 (0572002-A)
4 = Standard DL2 (0572002-A), turned 90°
5 = Flexible, ø10.1 mm hole
6 = Flexible, ø10.1 mm hole, turned 90°
7 = Solid, ø12.1 mm hole
8 = Solid, ø12.1 mm hole, turned 90°
A = Standard, 10.5 mm slot, 12.2 mm hole
B = Standard, 10.5 mm slot, 12.2 mm hole, turned 90°
- Spindle type:** 1 = 3 mm (brake not possible, max stroke 250 mm)
3 = 9 mm
6 = 12 mm
7 = 6 mm (max. stroke 300 mm)
- Type:** LA31

Terms of use

The user is responsible for determining the suitability of LINAK products for specific application. LINAK takes great care in providing accurate and up-to-date information on its products. However, due to continuous development in order to improve its products, LINAK products are subject to frequent modifications and changes without prior notice. Therefore, LINAK cannot guarantee the correct and actual status of said information on its products. While LINAK uses its best efforts to fulfill orders, LINAK cannot, for the same reasons as mentioned above, guarantee the availability of any particular product. Therefore, LINAK reserves the right to discontinue the sale of any product displayed on its website or listed in its catalogues or other written material drawn up by LINAK. All sales are subject to the Standard Terms of Sale and Delivery for LINAK. For a copy hereof, please contact LINAK.