

Linear Actuator LA30

Data Sheet



Contents

Introduction	3
Features and options	3
Usage	4
Technical specifications	4
Ordering example	5
Dimensions	6
Installation dimension	6
Plastic housing for LA30	7
LA30 Standard	8
Piston rod eyes	8
Contacts	9

Introduction



LA30 is a powerful actuator yet small enough to fit most applications. The actuator can be supplied with options such as built-in potentiometer for servo operation or an extra powerful motor for increased speed and strength (S-motor). In addition to industrial and agricultural applications, the actuator is also ideal for positioning satellite dishes.

Features and options

- 12/ 24V DC permanent magnet motor
- Max. load up to 6000 N (LA30LK)
- Dynamic push and pull: Actuators are designed for push or pull applications. If a combination is required, please contact your local LINAK salesperson.
- Stainless steel piston rod
- Elegant and compact construction with small installation dimensions
- Protection Class: IPX0/66
- Colour: Black
- Speed max. 65mm/s (LA30 S-motor with 12mm pitch)
- Low noise level
- Steel construction for all bearing parts
- Acme thread spindle for optimum efficiency
- Extra powerful motor (S-motor)
- L-motor for system actuator
- IP66 (by ordering LA30 with plastic housing)
- Double-acting brake - increased self-locking ability (LA30 with 6 or 9 mm pitch + LA30 S-motor with 6 or 9 mm pitch and LA30L) which ensures that all these types are fully self-locking.
- Potentiometer for positioning the actuator: 0-10 K ohm
- Reed switch (only LA30 L-motor versions): 8 pulses pr. spindle revolution
- Safety nut (only in push)
- Terminal cover (only LA30 L-motor versions)

Usage

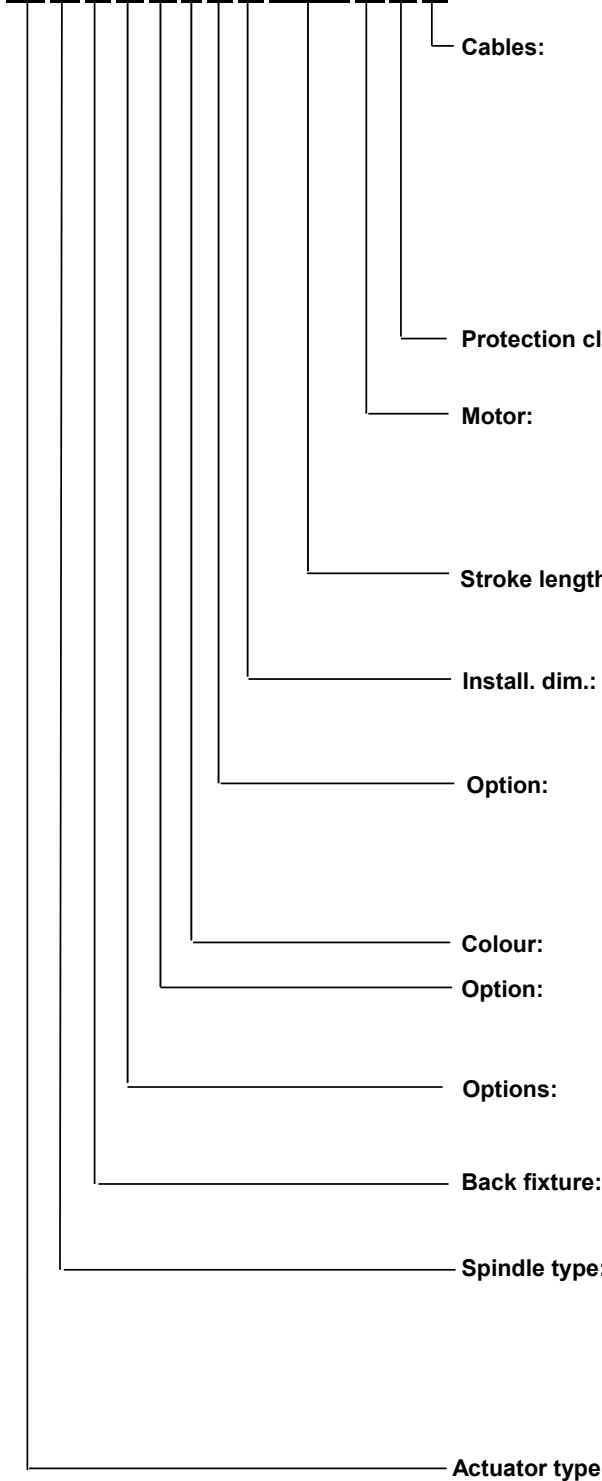
- Duty cycle: 10%, 2 minutes continuous use followed by 18 minutes not in use
- Ambient temperature: +5o to +40o C
- Storage temperature -40o to +70o C
- Compatible with LINAK control boxes. Please contact LINAK.
- Approvals: IEC 60601-1, ANSI/AAMI ES60601-1 and CAN/CSA-22.2 No 60601-1

Technical specifications

New type	Spindle pitch(mm)	Load max.(N) Push	Load max.(N) Pull	*Self-lock max. with/without brake (N)	Typical speed 0/ full load (mm/s)	Stroke length (mm)									Typical amp.at ull load 12V 24V	
						50	100	150	200P	250	300	350	400P	14	7	
307xx0-4xxxx0/5xx	12	1000	1000	1000/0	48/24	50	100	150	200P	250	300	350	400P	14	7	
303xx0-4xxxx0/5xx	9	1500	1500	1500/400	42/20	50	100	150P	200	250	300P	350	400	14	7	
302xx0-4xxxx0/5xx	6	2000	2000	2000/500	18.5/14	50	100P	150	200P	250	300	350	400P	14	7	
301xx0-xxxxx0/5xx	3	3000	3000	3000/3000	16/9	50P	100P	150	200P	250	300	350	400	14	6.4	
307xx0-4xxxx1/2xx	12	1000	1000	1000/0	65/35	50	100	150	200P	250	300	350	400P	20	10	
303xx0-4xxxx1/2xx	9	1800	1800	1800/0	52/25	50	100	150P	200	250	300P	350	400	20	10	
302xx0-4xxxx2xx	6	2000	2000	2000/500	34/20.3	50	100P	150	200P	250	300	350	400P	18	-	
302xx0-4xxxx1xx	6	2400	2400	2400/500	34/20.3	50	100P	150	200P	250	300	350	400P		9	
301xx0-xxxxx1/2xx	3	3500	3000	3500/3500	17/9.5	50P	100P	150	200P	250	300	350	400	18	9	
307xx0-4xxxx4xx	12	1000	1000	1000/0	26/20	50	100	150	200P	250	300	350	400P	-	2.5	
303xx0-4xxxx4xx	9	2000	2000	2000/0	20/13	50	100	150P	200	250	300P	350	400	-	4.4	
302xx0-4xxxx4xx	6	3000	3000	3000/2000	13.8/7	50	100P	150	200P	250	300	350	400P	-	4	
301xx0-xxxxx4xx	3	4000	3000	4000/4000	7/4.5	50P	100P	150	200P	250	300	350	400	-	5.5	

Ordering example

30 1 1 0 0 - 1 0 2 5 0 0 0 0



General tolerance +/- 70mm

N = No cable when IPX0 (except reed) (no cable relief will be mounted)

0 = Straight with jack plug, 2.3m with IP- housing and 2.45m without IP-housing

1 = Straight with jack plug, 1.05m with IP- housing and 1.2m without IP-housing

2 = Coiled with jack plug 400 mm

3 = Coiled with jack plug 200 mm

4 = Straight without plug 500 mm (Potentiometer)

5 = Straight without plug 1200 mm (with IP66 housing)

X = Other cable / length

Protection class:

0 = IPX0

2 = IP66 with plastic house

Motor:

0 = 24V

1 = 24V S-motor

2 = 12V S-motor

4 = 24V L-motor for LINAK control boxes

5 = 12V motor

Stroke length:

XXX = mm Max. with 3 & 6mm pitch 400 mm

Max. with 9 & 12mm pitch 500 mm

Min. 50 mm

Install. dim.:

0 = Standard

X = Other installation dimension

Option:

0 = None

1 = Safety nut RECOMMENDED

4 = Brake

5 = Brake with safety nut

Colour:

- = **Black**

Option:

0 = None

1 = LSD (Factory installed, not IPX6 max. IPX4)

2 = LS (Separately, for customer assembly, not IPX6 max. IPX4)

Options:

0 = None

T = Potentiometer 10 Kohm

R = Reed switch

} only with motor 0, 1, 2, 4, 5

} only with motor 4

Back fixture:

1 = Standard (01)

2 = Turned 90° (02)

Spindle type:

1 = 3 mm (1-thread)

2 = 6 mm (2 thread)

3 = 9 mm (3-thread)

7 = 12 mm (4-thread)

Old type no.

LA30.1

LA30.2

LA30.3

LA30.4

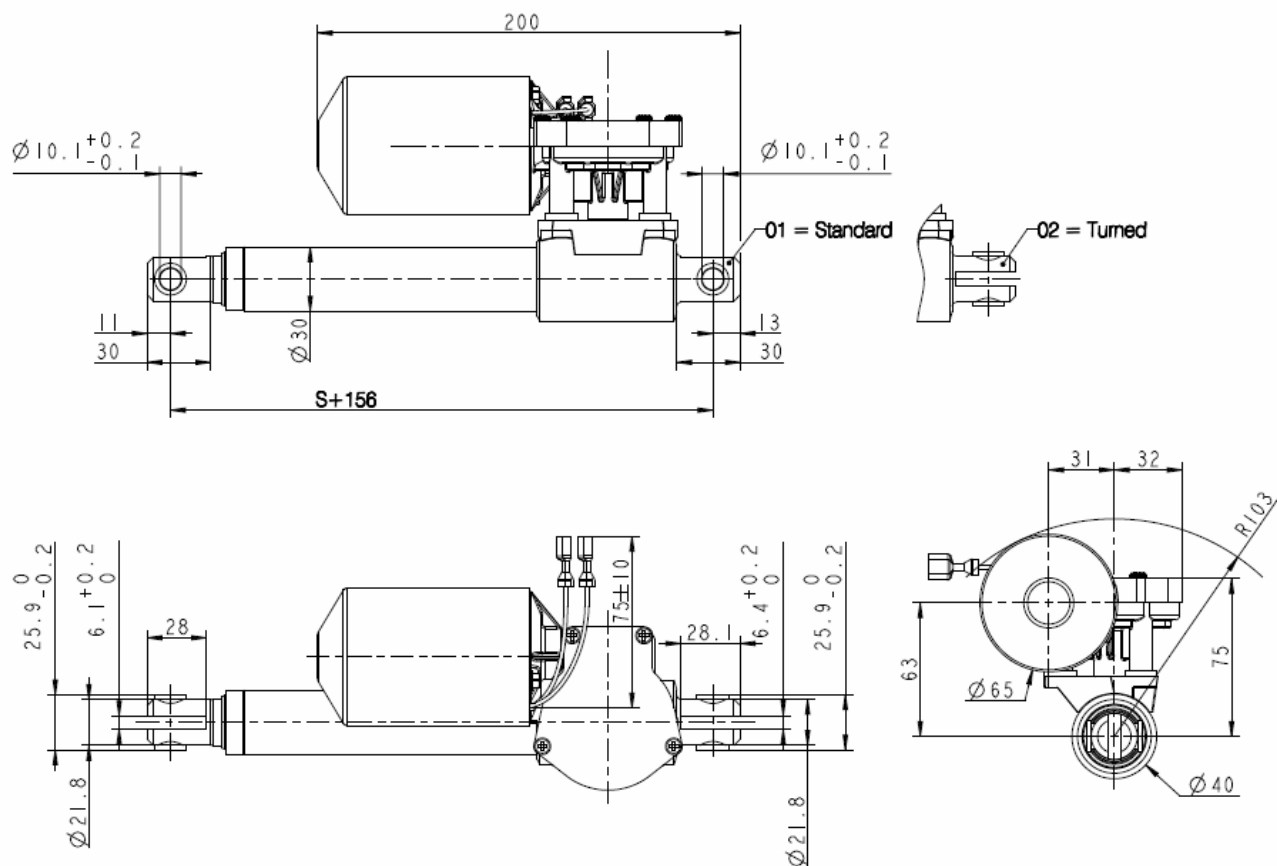
LA30K

Actuator type:

LA30

- Please note when standard stroke lengths are ordered together with LS/ LSD the actuator stroke will typically be 6mm shorter and the install dimension 3mm longer.
- Also note that the switches in the LS/LSD will only cut the current to the actuator. The piston will continue its travel depending on the actuator's actual self-locking.

Dimensions



Installation dimension

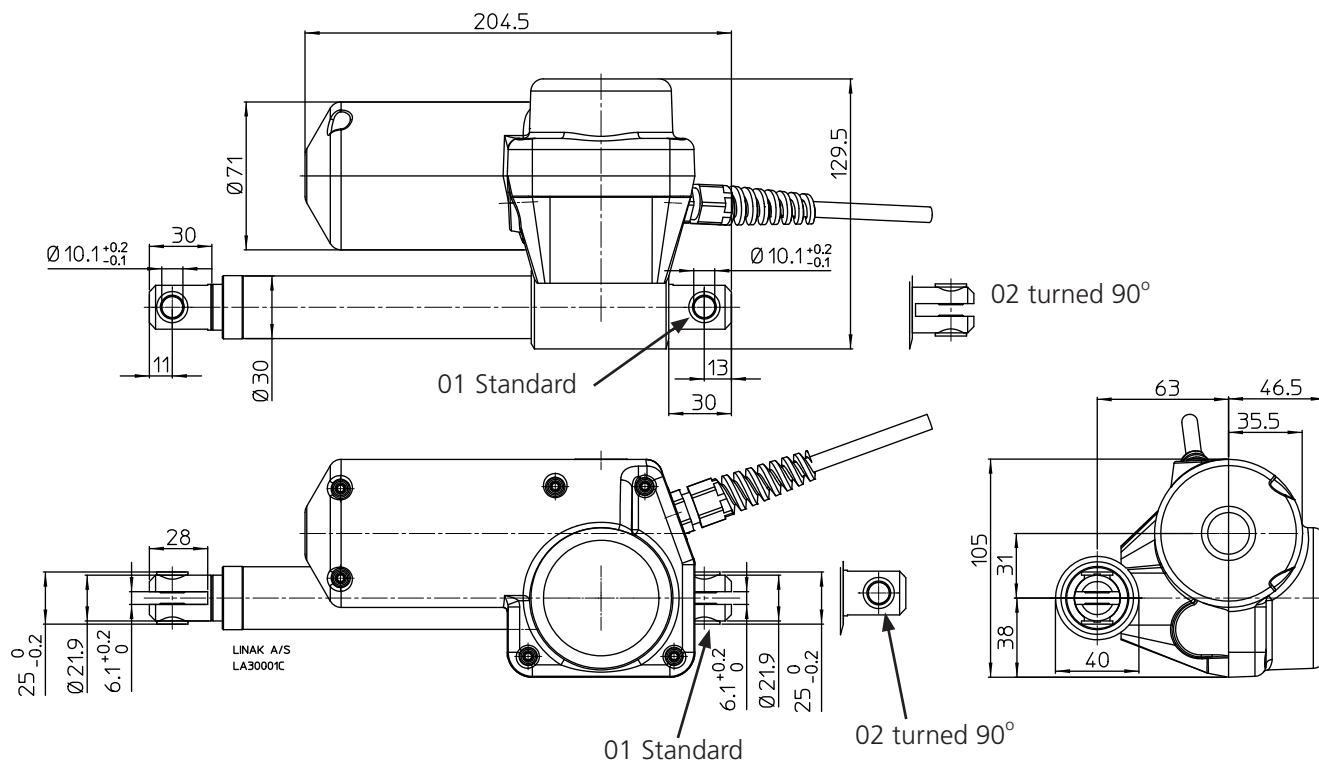
LA30 L-motor + LA30 + LA30 S-motor with 3 or 6mm. pitch	S + 156 mm
LA30 with spline + LA30 S-motor with 9 mm. pitch	S + 167 mm
LA30 with brake + LA30 S-motor with 3 or 6 mm. pitch with brake	S + 189 mm
LA30 L-motor with brake + LA30 S-motor 9 or 12mm pitch with brake	S + 199 mm
LA30 L-motor with ball screw, safety nut and spline	S + 251 mm

Plastic housing for LA30

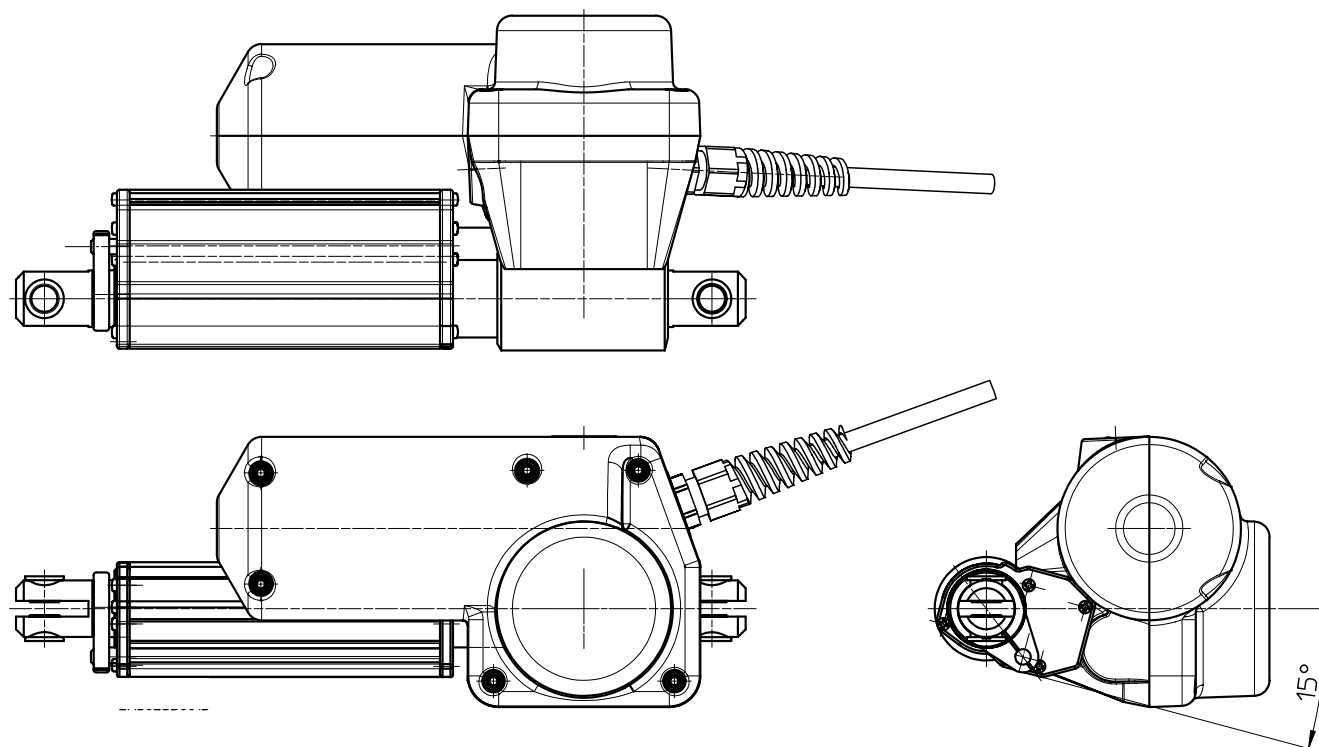
It is possible to order a LA30 with the protection class IP66. This option requires a plastic housing. See drawings below.

The LA30 actuator is mounted with a 1.2m / 0.5m cable without plug.

Dimensions

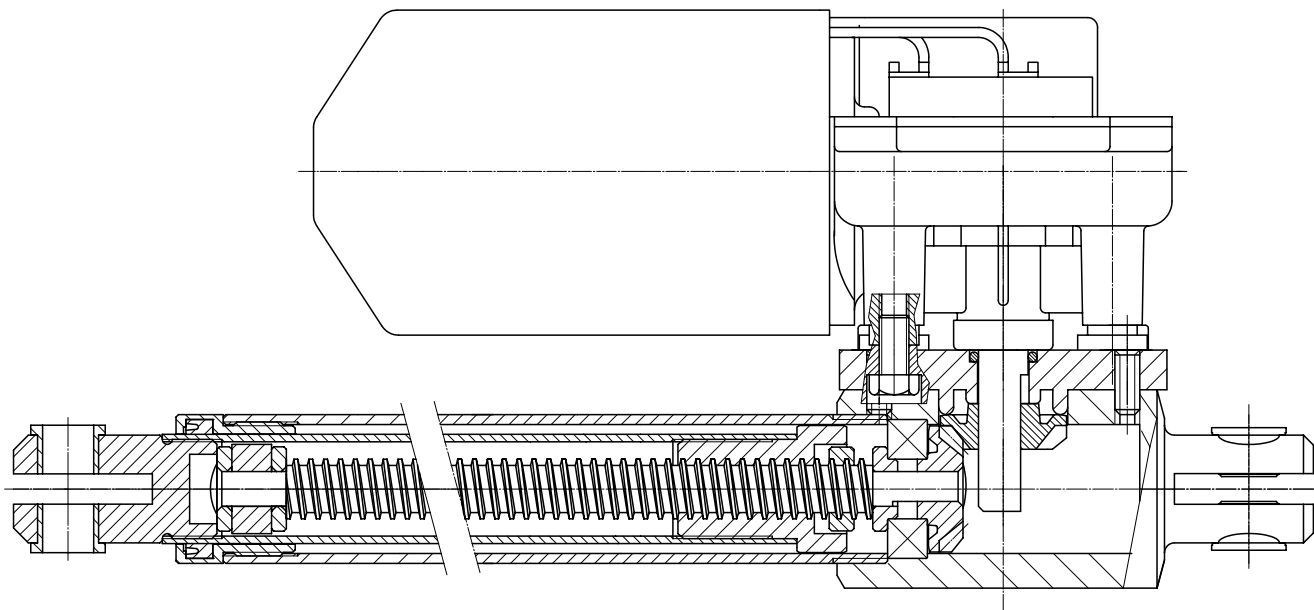


LA30 with housing mounted with LSD (protection class IPX4)



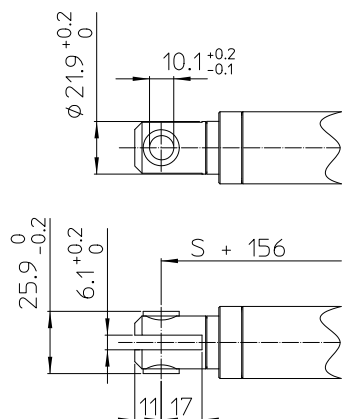
Drawing no.: LA30LSD001B

LA30 Standard



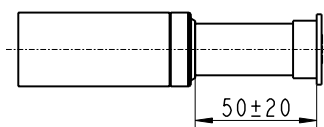
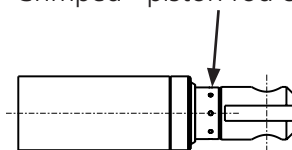
Drawing no.: LA30SNIT001B

Piston rod eyes



Standard

"Crimped" piston rod eye



Piston rod without eye

(Piston rods without eyes are not tested)

Drawing no.: LA30003A

Contacts

FACTORIES

Denmark - Headquarters
LINAK A/S
Phone: +45 73 15 15 15
Fax: +45 74 45 80 48
Fax (Sales): +45 73 15 16 13
Web: www.linak.com

China
LINAK (Shenzhen) Actuator Systems, Ltd.
Phone: +86 755 8610 6656
Phone: +86 755 8610 6990
Web: www.linak.cn

Slovakia
LINAK Slovakia s.r.o.
Phone: +421 51 7563 444
Web: www.linak.sk

Thailand
LINAK APAC Ltd.
Phone: +66 33 265 400
Web: www.linak.com

USA
LINAK U.S. Inc.
Americas Headquarters
Phone: +1 502 253 5595
Fax: +1 502 253 5596
Web: www.linak-us.com
www.linak-latinamerica.com

SUBSIDIARIES

Australia
LINAK Australia Pty. Ltd
Phone: +61 3 8796 9777
Fax: +61 3 8796 9778
E-mail: sales@linak.com.au
Web: www.linak.com.au

Austria
LINAK Zweigniederlassung - Österreich (Wien)
Phone: +43 (1) 890 7446
Fax: +43 (1) 890 744615
E-mail: info@linak.de
Web: www.linak.at - www.linak.hu

Belgium
LINAK Actuator-Systems NV/SA
(Belgium & Luxembourg)
Phone: +32 (0)9 230 01 09
E-mail: beinfo@linak.be
Web: www.linak.be - www.fr.linak.be

Brazil
LINAK Do Brasil Comércio De Atuadores Ltda.
Phone: +55 (11) 2832 7070
Fax: +55 (11) 2832 7060
E-mail: info@linak.com.br
Web: www.linak.com.br

Canada
LINAK Canada Inc.
Phone: +1 502 253 5595
Fax: +1 416 255 7720
E-mail: info@linak.ca
Web: www.linak-us.com

Czech Republic
LINAK C&S s.r.o.
Phone: +42 058 174 1814
Fax: +42 058 170 2452
E-mail: info@linak.cz
Web: www.linak.cz - www.linak.sk

Denmark - International
LINAK International
Phone: +45 73 15 15 15
E-mail: info@linak.com
Web: www.linak.com

Denmark - Sales
LINAK Danmark A/S
Phone: +45 86 80 36 11
Fax: +45 86 82 90 51
E-mail: linak@linak-silkeborg.dk
Web: www.linak.dk

Finland
LINAK OY
Phone: +358 10 841 8700
E-mail: linak@linak.fi
Web: www.linak.fi

France
LINAK France E.U.R.L.
Phone: +33 (0) 2 41 36 34 34
Fax: +33 (0) 2 41 36 35 00
E-mail: linak@linak.fr
Web: www.linak.fr

Germany
LINAK GmbH
Phone: +49 6043 9655 0
Fax: +49 6043 9655 60
E-mail: info@linak.de
Web: www.linak.de

India
LINAK A/S India Liaison Office
Phone: +91 120 4531797
Fax: +91 120 4786428
E-mail: info@linak.in
Web: www.linak.in

Ireland
LINAK UK Limited (Ireland)
Phone: +44 (0)121 544 2211
Fax: +44 (0)121 544 2552
+44 (0)796 855 1606 (UK Mobile)
+35 387 634 6554 (Rep.of Ireland Mobile)
E-mail: sales@linak.co.uk
Web: www.linak.co.uk

Italy
LINAK ITALIA S.r.l.
Phone: +39 02 48 46 33 66
Fax: +39 02 48 46 82 52
E-mail: info@linak.it
Web: www.linak.it

Japan
LINAK K.K.
Phone: 81-45-533-0802
Fax: 81-45-533-0803
E-mail: linak@linak.jp
Web: www.linak.jp

Malaysia
LINAK Actuators Sdn. Bhd.
Phone: +60 4 210 6500
Fax: +60 4 226 8901
E-mail: info@linak-asia.com
Web: www.linak.my

Netherlands
LINAK Actuator-Systems B.V.
Phone: +31 76 5 42 44 40 /
+31 76 200 11 10
E-mail: info@linak.nl
Web: www.linak.nl

New Zealand
LINAK New Zealand Ltd
Phone: +64 9580 2071
Fax: +64 9580 2072
E-mail: nzsales@linak.com.au
Web: www.linak.com.au

Norway
LINAK Norge AS
Phone: +47 32 82 90 90
E-mail: info@linak.no
Web: www.linak.no

Poland
LINAK Polska
LINAK Danmark A/S (Spółka Akcyjna)
Phone: +48 22 295 09 70 /
+48 22 295 09 71
E-mail: info@linak.pl
Web: www.linak.pl

Republic of Korea
LINAK Korea Ltd.
Phone: +82 2 6231 1515
Fax: +82 2 6231 1516
E-mail: info@linak.kr
Web: www.linak.kr

Slovakia
LINAK Slovakia S.R.O.
Phone: +421 51 7563 444
Web: www.linak.sk

Spain
LINAK Actuadores, S.L.U
Phone: +34 93 588 27 77
Fax: +34 93 588 27 85
E-mail: esma@linak.es
Web: www.linak.es

Sweden
LINAK Scandinavia AB
Phone: +46 8 732 20 00
Fax: +46 8 732 20 50
E-mail: info@linak.se
Web: www.linak.se

Switzerland
LINAK AG
Phone: +41 43 388 31 88
Fax: +41 43 388 31 87
E-mail: info@linak.ch
Web: www.linak.ch - www.fr.linak.ch
www.it.linak.ch

Taiwan
LINAK (Shenzhen) Actuator systems Ltd.
Taiwan Representative office
Phone: +886 2 272 90068
Fax: +886 2 272 90096
E-mail: sales@linak.com.tw
Web: www.linak.com.tw

Turkey
LINAK İth. İhr. San. ve Tic. A.Ş.
Phone: +90 312 4726338
Fax: +90 312 4726635
E-mail: info@linak.com.tr
Web: www.linak.com.tr

United Kingdom
LINAK UK Limited
Phone: +44 (0)121 544 2211
Fax: +44 (0)121 544 2552
E-mail: sales@linak.co.uk
Web: www.linak.co.uk

DISTRIBUTORS

Argentina
Novotec Argentina SRL
Phone: 011-4303-8989 / 8900
Fax: 011-4032-0184
E-mail: info@novotecargentina.com
Web: www.novotecargentina.com

Colombia
MEM Ltda
Phone: +[57] (1) 334-7666
Fax: +[57] (1) 282-1684
E-mail: servicioalcliente@memltda.com.co
Web: www.mem.net.co

India
Mechatronics Control Equipments India Pvt Ltd
Phone: +91-44-28558484, 85
E-mail: bala@mechatronicscontrol.com
Web: www.mechatronicscontrol.com

Indonesia
PT. Himalaya Everest Jaya
Phone: +6 221 544 8956 /+6 221 544 8965
Fax: +6 221 619 1925
Fax (Sales): +6 221 619 4658
E-mail: hejplastic-div@centrin.net.id
Web: www.hej.co.id

Israel
NetivTech LTD
Phone: +972 55-2266-535
Fax: +972 2-9900-560
Email: info@NetivTech.com
Web: www.netivtech.com

Singapore
Servo Dynamics Pte Ltd
Phone: +65 6844 0288
Fax: +65 6844 0070
E-mail: servodynamics@servo.com.sg

South Africa
Industrial Specialised Applications CC
Phone: +27 011 466 0346
E-mail: gartht@isagroup.co.za
Web: www.isaza.co.za

United Arab Emirates
Mechatronics
Phone: +971 4 267 4311
Fax: +971 4 267 4312
E-mail: mechtron@emirates.net.ae

Terms of use

LINAK® takes great care in providing accurate and up-to-date information on its products. However, the user is responsible for determining the suitability of LINAK products for a specific application. Due to continual development, LINAK products are subject to frequent modifications and changes. LINAK reserves the rights to conduct modifications, updates, and changes without any prior notice. For the same reason, LINAK cannot guarantee the correctness and actual status of imprinted information on its products.

LINAK uses its best efforts to fulfil orders. However, for the reasons mentioned above, LINAK cannot guarantee availability of any particular product at any given time. LINAK reserves the right to discontinue the sale of any product displayed on its website or listed in its catalogues or in other written material created and produced by LINAK, LINAK subsidiaries, or LINAK affiliates. All sales are subject to the 'Standard Terms of Sale and Delivery for LINAK A/S' available on LINAK websites. LINAK and the LINAK logotype are registered trademarks of LINAK A/S. All rights reserved.