



Actuator LA27 HOMELINE[®]
Hall sensor
Data sheet

LA27 Hall sensor

The LA27 HOMELINE® linear actuator with hall sensor is intended for use in leisure beds for private homes. The actuator is the perfect choice for these types of applications as the motor is very compact and silent. The actuator is typically used for head and footrest adjustment in systems with CBH control boxes or for extra functions like neck rest and/or knee bend in TWINDRIVE TD3 systems.



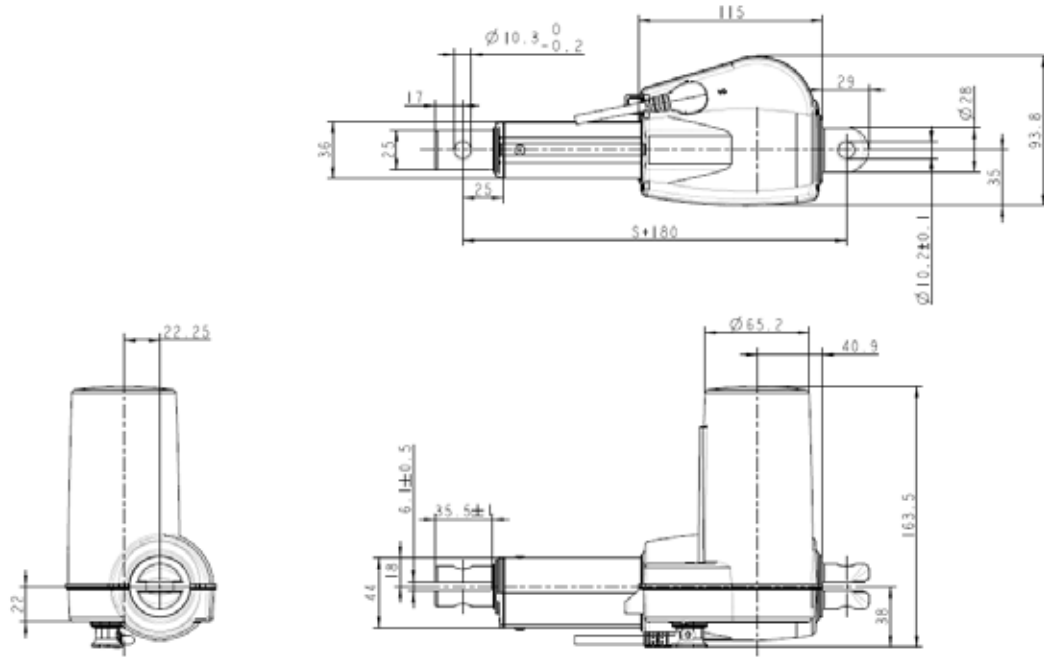
Features:

- Elegant and compact design with small installation dimensions
- 24V DC permanent magnet motor
- Thrust up to 6000 N in push
- Max. speed 11.5 mm/s
- Standard built-in dimension: 240 mm, 280 mm, 330 mm, 380 mm
- Standard stroke length: 0-200 mm
- Colour: Dark Grey (RAL7016)
- Scratch and wear-resistant powder painted steel inner tube
- Low noise level
- Plug type: Mini-fit
- Back fixture with slot
- Piston rod eye with slot
- Mechanical spline i.e. the actuator can only push

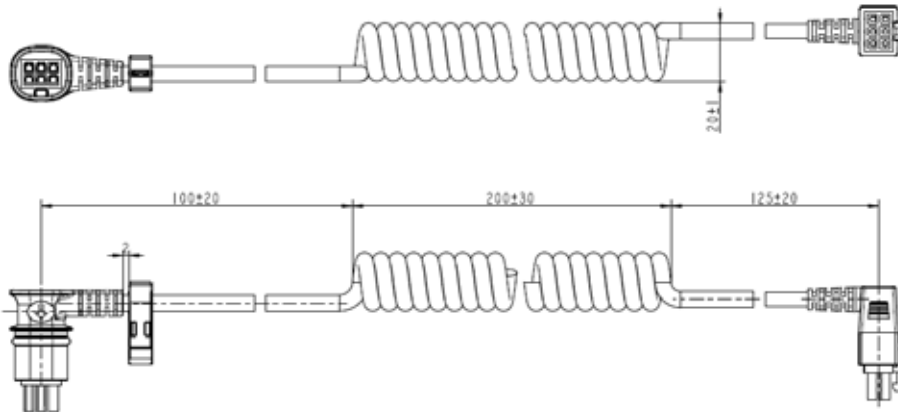
Usage:

- Duty cycle: 10% ~ 2 min. at continuous use followed by an 18 min. pause
- Ambient temperature: +10 °C to +40 °C
- Compatible with the TD33 and the CBH Advanced

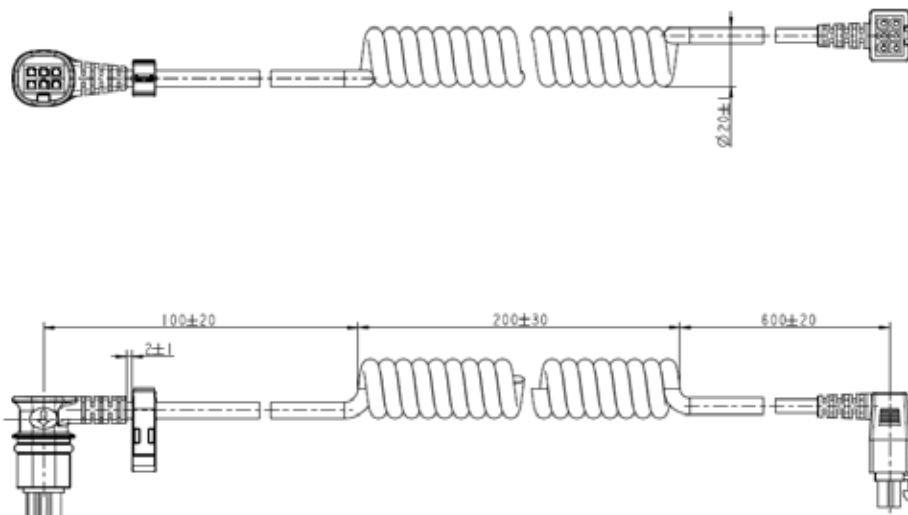
Dimension



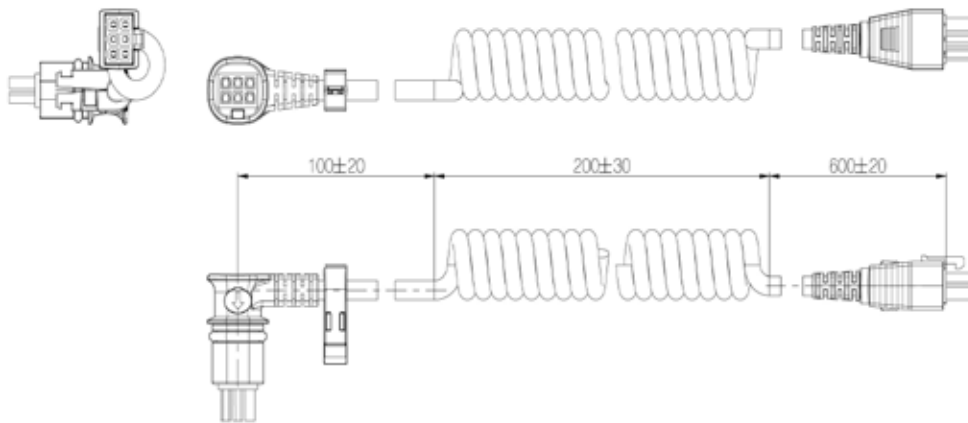
LA27 cable: (Article number: 0707001) For TD3 (TD1)



LA27 cable: (Article number: 0707002) For TD3 (TD1)

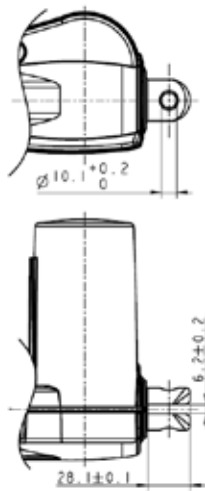


LA27 cable for CBH Advanced systems (0707009)



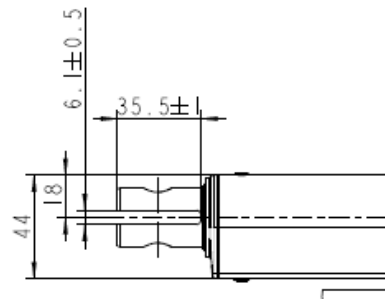
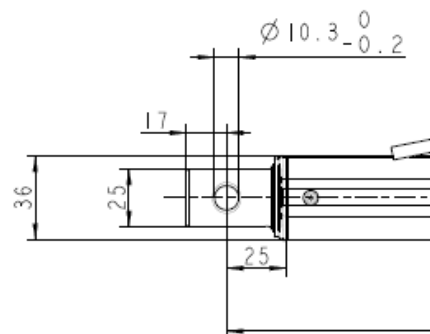
Dimensions

Back fixture



Type 03

Flexible back fixture



Terms of use

The user is responsible for determining the suitability of LINAK products for specific application. LINAK takes great care in providing accurate and up-to-date information on its products. However, due to continuous development in order to improve its products, LINAK products are subject to frequent modifications and changes without prior notice. Therefore, LINAK cannot guarantee the correct and actual status of said information on its products. While LINAK uses its best efforts to fulfil orders, LINAK cannot, for the same reasons as mentioned above, guarantee the availability of any particular product. Therefore, LINAK reserves the right to discontinue the sale of any product displayed on its website or listed in its catalogues or other written material drawn up by LINAK. All sales are subject to the Standard Terms of Sale and Delivery for LINAK. For a copy hereof, please contact LINAK.