



Actuator LA27 HOMELINE<sup>®</sup>  
Analogue  
Data sheet

# LA27 Analogue

---

The LA27 HOMELINE linear actuator is a powerful product designed especially for comfort furniture applications like leisure beds and recliners. The actuator is typically used for adjustment of the headrest and footrest in a box spring bed where powerful yet quiet actuators are requested. The actuator is compatible with the HOMELINE control boxes series CBH Basic.



---

## Features:

- Elegant and compact design with small installation dimensions
- 24V DC permanent magnet motor
- Thrust up to 6000N in push and 4000N in pull
- Speed up to: 11.5 mm/s
- Standard installation dimension: Stroke + 170 mm
- Standard stroke length: 40 mm - 300 mm in steps of 5 mm
- Colour: Dark grey (RAL 7016)
- Scratch and wear-resistant powder painted steel inner tube
- Low noise level
- Plug type: Mini-fit
- Back fixture position 0° or 90°
- Built-in end-stop signal switches (not adjustable)
- Brake, which increases the self-locking ability for the LA27

## Options:

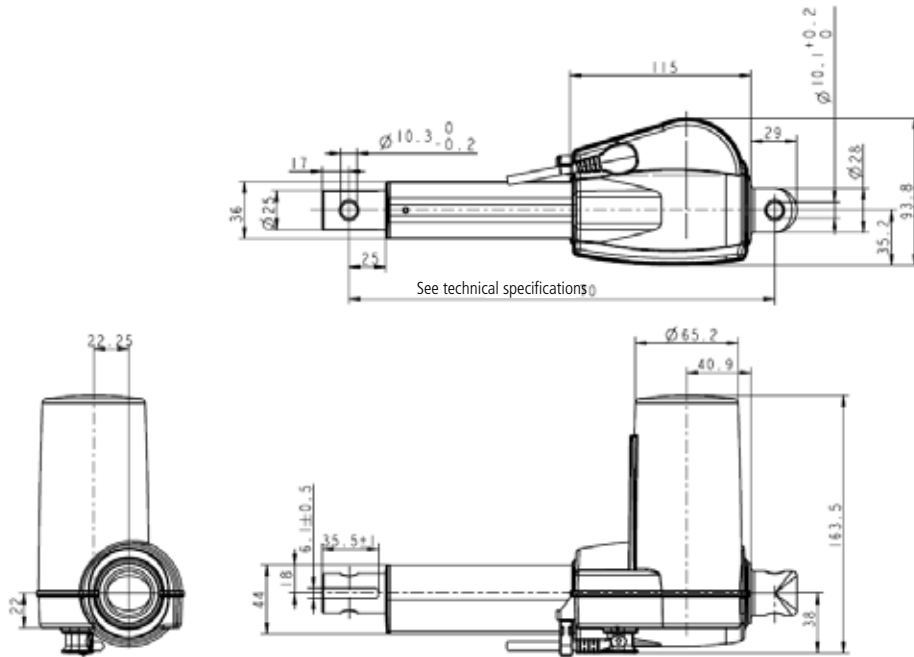
- If mechanical splines and piston rod eye 1,3 or 4 is chosen the installation dimension increases by 10 mm
- Push or pull applications

## Usage:

- Duty cycle: 10%~ 2 min. at continuous use followed by an 18 min. pause
- Ambient temperature: +10°C to +40°C
- Duty cycle: Max. 2 min. in use followed by 18 min. not in use
- The LA27 HOMELINE analogue is compatible with the CBH Basic, SMPS001/002 and handset HB10
- LA27 and CBH Basic systems are approved according to UL962
- LA27 and CBH Basic systems will be approved according to EN60335-1

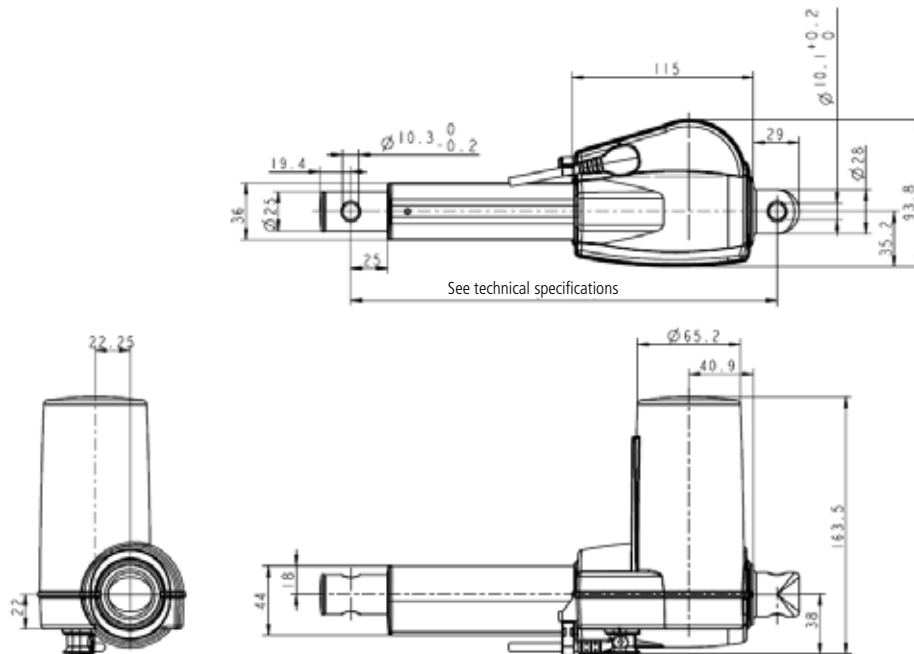
|                     | Spindle pitch (mm) | Thrust max. push (N) | Self-lock max. push (N) | Thrust max. pull (N) | Self-lock max. pull (N) | Stroke length (max. mm) | Typical speed at 0/full load (mm/s) |
|---------------------|--------------------|----------------------|-------------------------|----------------------|-------------------------|-------------------------|-------------------------------------|
| <b>LA27 for CBH</b> |                    |                      |                         |                      |                         |                         |                                     |
| 274XX0A01XXX040     | 4                  | 6000                 | 6000                    | 4000                 | 4000                    | 250                     | 5.5 / 3                             |
| 272XX0A01XXX040     | 5                  | 3500                 | 3500                    | 3500                 | 3500                    | 300                     | 6.5 / 5                             |
| 277XX0A01XXX040     | 6                  | 2500                 | 2500                    | 1500                 | 1500                    | 300                     | 8.2 / 6.9                           |
| 273XX0A01XXX040     | 9                  | 1500                 | 1500                    | 1000                 | 1000                    | 300                     | 11.3 / 9.9                          |

**LA27 (piston rod eye with slot)**



Drawing number LA27002A

**LA27 (piston rod eye without slot)**



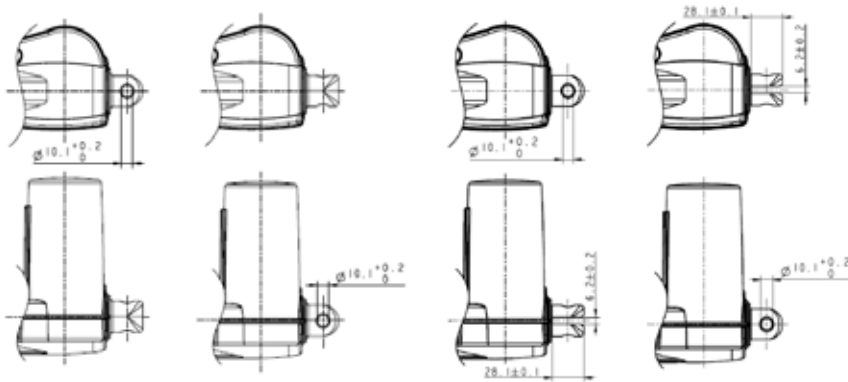
Drawing number LA27001B

**Standard installation dimensions with different combinations:**

|                |         | LA27 standard                 |                       | LA27 spline < 4000 N          |                       | LA27 spline > 4000 N          |                       |
|----------------|---------|-------------------------------|-----------------------|-------------------------------|-----------------------|-------------------------------|-----------------------|
|                |         | Stroke length > 20 mm < 45 mm | Stroke length > 45 mm | Stroke length > 20 mm < 45 mm | Stroke length > 45 mm | Stroke length > 20 mm < 45 mm | Stroke length > 45 mm |
| Piston rod eye | "0"     | 210 + stroke                  | 170 + stroke          | 200 + stroke                  | 170 + stroke          | 230 + stroke                  | 200 + stroke          |
| Piston rod eye | "1,3,4" | 210 + stroke                  | 170 + stroke          | 210 + stroke                  | 180 + stroke          | 240 + stroke                  | 210 + stroke          |

**Dimensions**

**Back fixture**



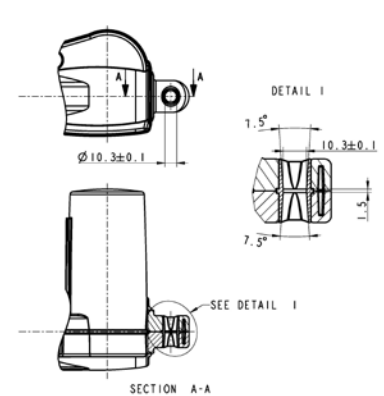
Type 01

Type 02

Type 03

Type 04

**Flexible back fixture**

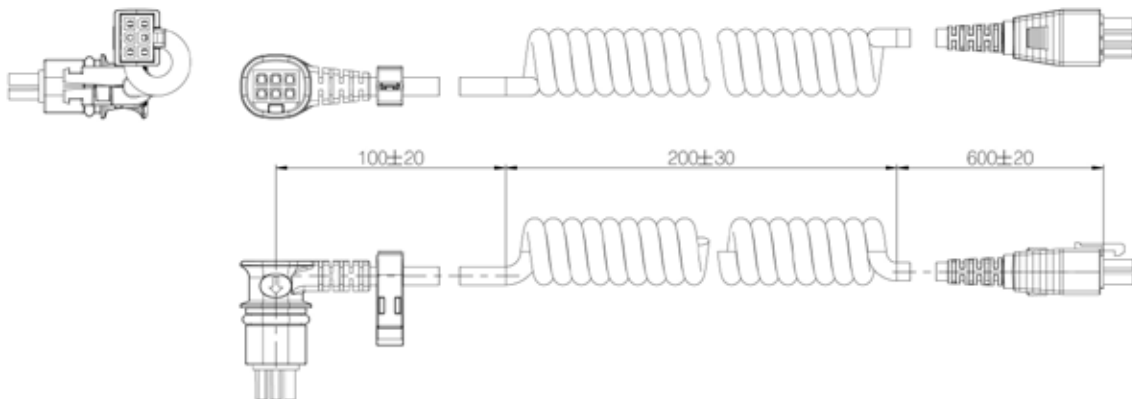


Type 05

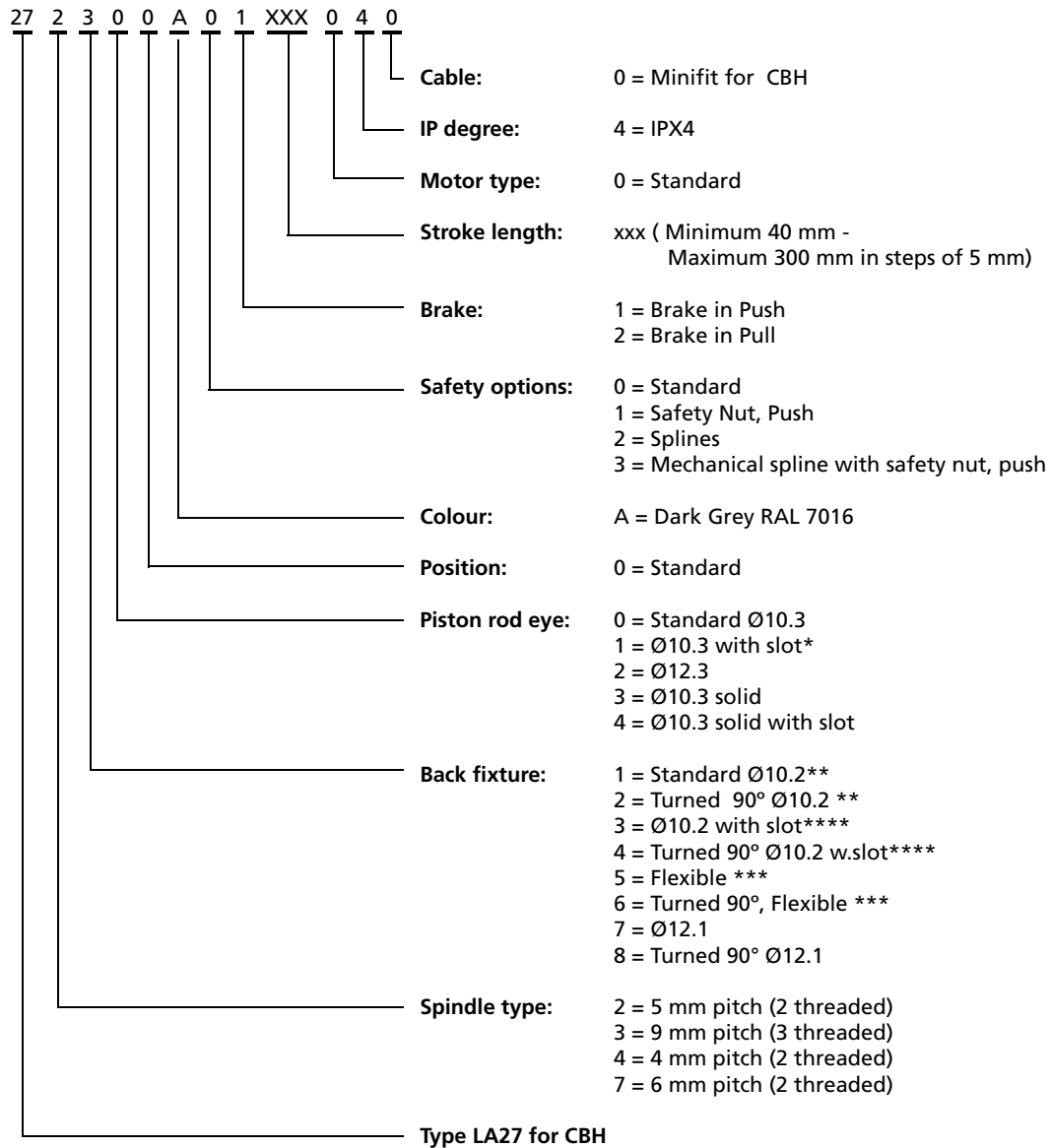


The colour of the flexible back fixture is black

**Motor cable for LA27 for CBH (Article number 0707009)**



**Ordering example:**



\* Piston Rod Eye with slot may not be used in pull applications.

\*\* Back Fixtures nos. 01 and 02 should not be used in recliners, they can be used in pull applications.

\*\*\* The flexible back fixtures nos. 05 and 06 are specially developed and recommended for recliners or for situations where a misalignment may occur in the application. They can be used in pull or push applications.

\*\*\*\* Back fixtures nos. 03 and 04 should not be used in recliners, they can be used in push applications (max. thrust in push 4000N).





---

**Terms of use**

The user is responsible for determining the suitability of LINAK products for specific application. LINAK takes great care in providing accurate and up-to-date information on its products.

However, due to continuous development in order to improve its products, LINAK products are subject to frequent modifications and changes without prior notice. Therefore, LINAK cannot guarantee the correct and actual status of said information on its products.

While LINAK uses its best efforts to fulfill orders, LINAK cannot, for the same reasons as mentioned above, guarantee the availability of any particular product. Therefore, LINAK reserves the right to discontinue the sale of any product displayed on its website or listed in its catalogues or other written material drawn up by LINAK.

All sales are subject to the Standard Terms of Sale and Delivery for LINAK. For a copy hereof, please contact LINAK.