



Actuator LA23 DESKLINE[®]
Data sheet

LA23 DESKLINE®

The LA23 is a small and strong push actuator (up to 2500 N). The LA23 can be used in various applications where size is important. The LA23 is e.g. ideal for adding tilt-function to a desk, so the table top can tilt or for adjustment in handicap kitchens.

Some of the benefits the LA23 offers you are:

- Compact design
- High lifting force
- Exchangeable cables



Features and options:

- Load in push: 2500N, 1800N, 1500N, 1200N or 900N
- 12 V DC Motor
- Grey (RAL7035) or black (RAL9005) housing colour
- Protection class: IPX4 or IPX6
- 12 V DC Motor
- Stroke length: 20 - 300 mm
- Built-in dimensions: 110 - 166 mm + stroke length
- Dual Hall and SLS
- Back fixture material: Plastic or steel
- Nut: Guided
- Safety nut: In push
- Mechanical spline
- Built-in electrical end-stop
- Exchangeable cable
- Static safety factor: 2.5
- Noise level: Max. 58.5 dB(A) (At nominal voltage and with no load, according to EN ISO3743-1)
- Mechanical end stop
- Speed 12 mm/sec

Usage:

- Duty cycle: 10%, 2 minutes continuous use followed by 18 minutes not in use
- Usage temperature: +5° - +40° normal operating temp. -30° - +50° according to test conditions: ISO 7176-9
- Storage temperature: -45°C to +70°C (according to ISO 7176-9)
- Compatibility: DESKLINE Control boxes
- Approved according to EN60335-1 with CBD6S
- Fire category: Enclosure UL94-V0
- Cycles: The LA23 Life cycle test has been performed with a stabilised power supply (10% duty cycle) on a 200 mm stroke actuator at max. load at 5000 cycles

LA23 DESKLINE

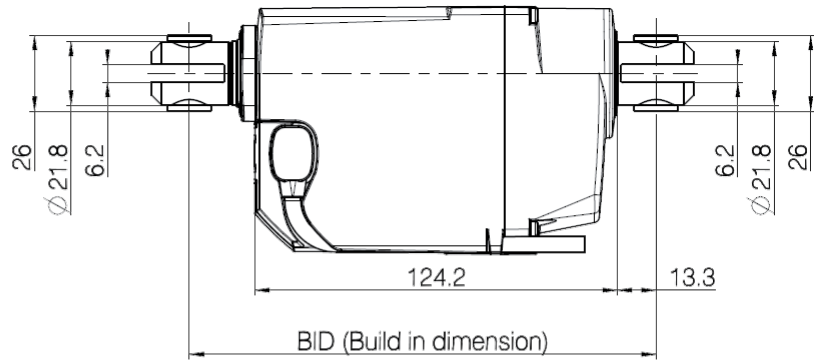
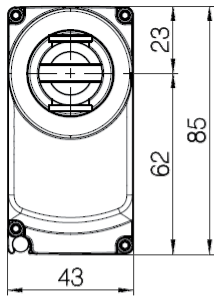
Ordering example:

23 6 1 A 0 1 0 00 250 A 4	<p>IP degree: 4 = IPX4 6 = IPX6</p> <p>Motortype: A = 12V</p> <p>Stroke: XXX = mm. Min. 020 mm, Max. 300 mm in steps of 5 mm Recommended versions: 020 mm; 050 mm; 100 mm; 150 mm; 200 mm; 250 mm; 300 mm</p> <p>Positioning: 05 = Dual Hall digital positioning and SLS enabled</p> <p>Safety option: 0 = No safety options (pitch 3, 5, 6, 9 or 12) 1 = Safety nut for push (pitch 3, 5, 6, 9 or 12) 2 = Safety nut for pull (pitch 6, 9 or 12) 3 = Mechanical spline without safety nut (pitch 3, 5, 6, 9 or 12) 4 = Mechanical spline with safety nut (pitch 3, 5, 6, 9 or 12)</p> <p>Housing colour: 1 = Black (RAL 9005) 2 = Light grey (RAL 7035)</p> <p>Piston rod eye: 0 = Standard (steel) with slot (6.1 mm), eye Ø10.2 mm, incl. plastic bushings 1 = Standard (steel) with slot (6.1 mm), eye Ø10.2 mm (0231033) 2 = Standard (steel) with slot (6.1 mm), eye Ø12.3 mm (0231016)</p> <p>Back fixture rotation: 0 = 0° clockwise H = 60° clockwise Q = 120° clockwise A = 7.5° clockwise J = 67.5° clockwise R = 127.5° clockwise B = 15° clockwise K = 75° clockwise S = 135° clockwise C = 22.5° clockwise L = 82.5° clockwise T = 142.5° clockwise D = 30° clockwise 1 = 90° clockwise U = 150° clockwise E = 37.5° clockwise M = 97.5° clockwise V = 157.5° clockwise F = 45° clockwise N = 105° clockwise W = 165° clockwise G = 52.5° clockwise P = 112.5° clockwise Z = 172.5° clockwise</p> <p>Back fixture: 1 = Plastic with slot (6.1 mm), eye Ø10.2 mm (only for Standard push load) (0231017) (only for pitch 6, 9 or 12 and safety option 0 or 1 (push)) 2 = Steel with slot (6.1 mm), eye Ø10.2 mm, incl. plastic bushings 3 = Steel with slot (6.1 mm), eye Ø10.2 mm (0231034) 4 = Steel with slot (6.1 mm), eye Ø12.3 mm (0231020)</p> <p>Spindletype: 3 = 3 mm pitch (2500 N) 5 = 5 mm pitch (1800 N) 6 = 6 mm pitch (1500 N) 9 = 9 mm pitch (1200 N) 0 = 12 mm pitch (900N)</p> <p>Actuator type: 23 = LA23</p>
---------------------------	---

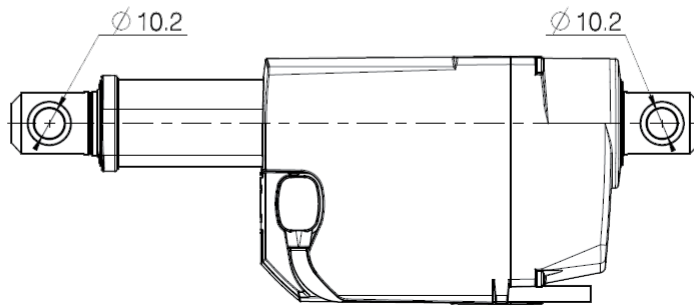
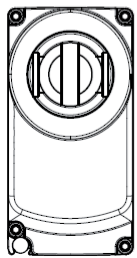
Note:

- Cables must be ordered separately (for specifications and item numbers see later pages).
- Cable locks must be ordered separately for LA23 (for item numbers, see later pages).
- When the built-in dimensions (BID) are special, write xxx when ordering, write stroke + BID in system specification.
- Noise can occur if plastic bushings are not fitted in the Piston rod eye / Back fixture

Dimensions:

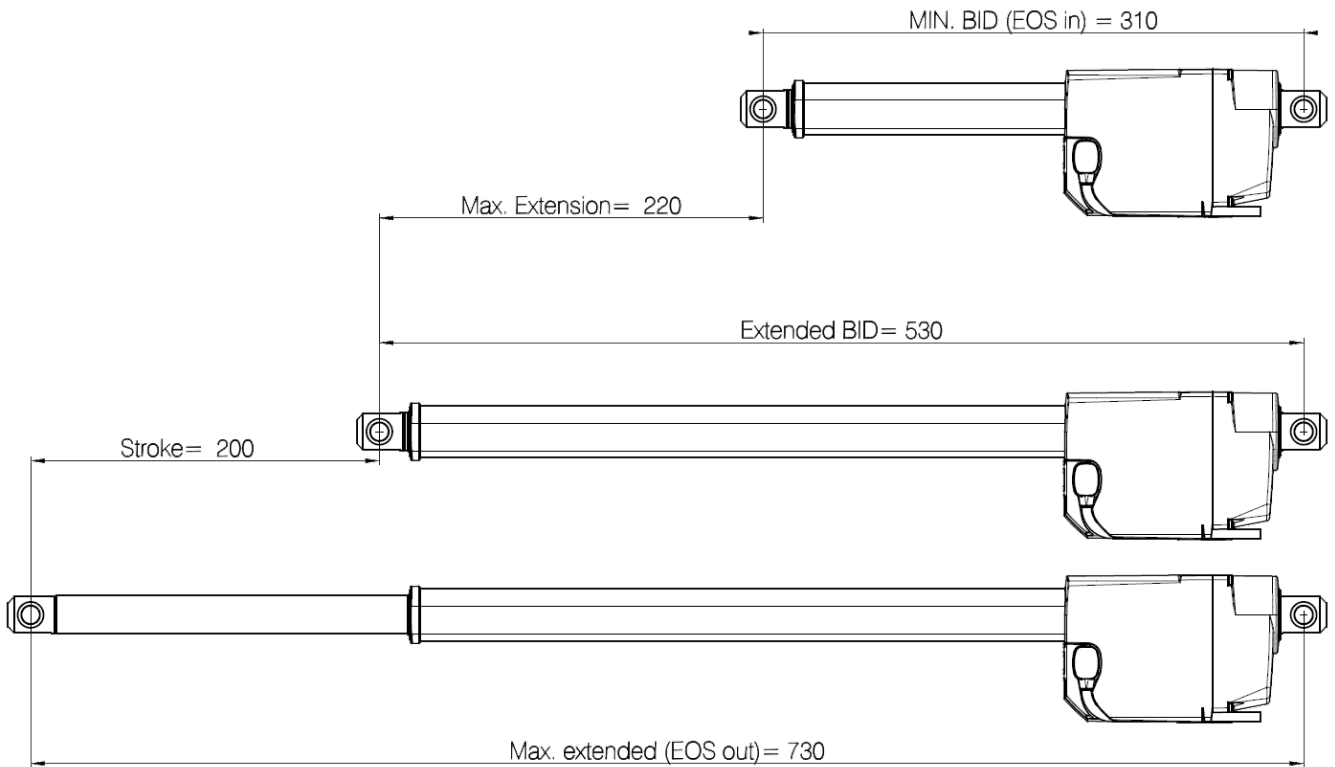


Back fixture
orientation
Option 1



Back fixture
orientation
Option 0

Example A



Tolerances:

For built-in dimensions and stroke ± 2 mm.

The built-in dimension depends upon the chosen safety option and stroke length.
Please see the table below to decide upon the built-in dimension.

Safety option	Stroke length	Spindle pitch	Min. built-in Dimensions
0 = No safety option	20 - 49	6, 9 or 12	160
0 = No safety option	20 - 49	3, 5	168
1 = Safety nut for push	20 - 49	6, 9 or 12	160
1 = Safety nut for push	20 - 49	3, 5	168
2 = Safety nut for pull	20 - 49	6, 9 or 12	172
3 = Mechanical Spline for push	20 - 49	6, 9 or 12	180
3 = Mechanical Spline for push	20 - 49	3, 5	196
4 = Mechanical Spline & safety nut for push	20 - 49	6, 9 or 12	180
4 = Mechanical Spline & safety nut for push	20 - 49	3, 5	196
0 = No safety option	50 - 200	6, 9 or 12	110 + stroke
0 = No safety option	50 - 200	3, 5	118 + stroke
1 = Safety nut for push	50 - 200	6, 9 or 12	110 + stroke
1 = Safety nut for push	50 - 200	3, 5	118 + stroke
2 = Safety nut for pull	50 - 200	6, 9 or 12	122 + stroke
3 = Mechanical Spline for push	50 - 200	6, 9 or 12	130 + stroke
3 = Mechanical Spline for push	50 - 200	3, 5	146 + stroke
4 = Mechanical Spline & safety nut for push	50 - 200	6, 9 or 12	130 + stroke
4 = Mechanical Spline & safety nut for push	50 - 200	3, 5	146 + stroke
0 = No safety option	201 - 300	6, 9 or 12	130 + stroke
0 = No safety option	201 - 300	3, 5	138 + stroke
1 = Safety nut for push	201 - 300	6, 9 or 12	130 + stroke
1 = Safety nut for push	201 - 300	3, 5	138 + stroke
2 = Safety nut for pull	201 - 300	6, 9 or 12	142 + stroke
3 = Mechanical Spline for push	201 - 300	6, 9 or 12	150 + stroke
3 = Mechanical Spline for push	201 - 300	3, 5	166 + stroke
4 = Mechanical Spline & safety nut for push	201 - 300	6, 9 or 12	150 + stroke
4 = Mechanical Spline & safety nut for push	201 - 300	3, 5	166 + stroke

It is possible to order LA23 with extended built-in dimensions if the following requirements are fulfilled

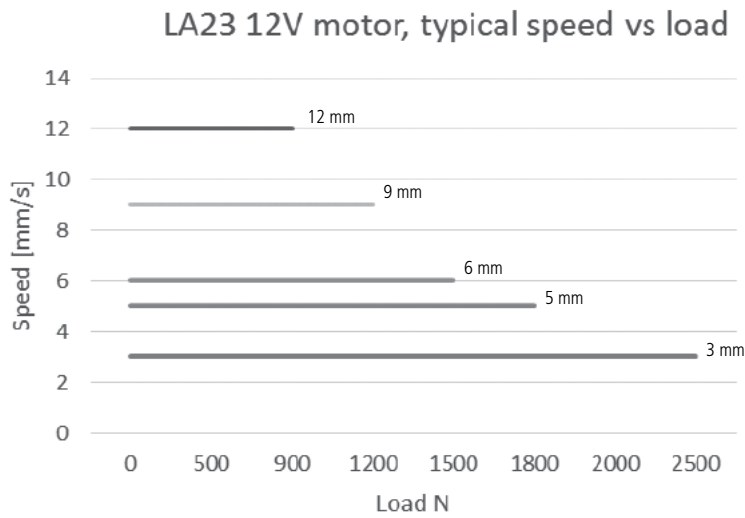
	Spindle pitch = 6, 9, 12	Spindle pitch = 3, 5	Spindle pitch = 6, 9, 12	Spindle pitch = 6, 9, 12	Spindle pitch = 3, 5
	Safety option 0 : No safety option		Safety option 2 : safety nut pull	Safety option 3 : Spline without safety nut	
	Safety option 1 : safety nut push			Safety option 4 : Spline + safety nut push	
Max. built-in dimensions	≤ 730 - stroke	≤ 738 - stroke	≤ 742 - stroke	≤ 750 - stroke	≤ 766 - stroke

Example:

A) 6 mm pitch no safety option, stroke 200, BID can be max. $(730 - 200) = 530$

B) 3 mm pitch no safety option, stroke 20, BID can be max. $(738 - 20) = 718$

Speed curve



Item number	Connector Poles	Plug types	Colour	To use with (CB)	Used for positioning options
0964765	6 poles	Microfit - Minifit	Black	CBD6S	05

Safety nut and steel back fixture overview

Pitch (mm)	Load (N)	Safety nut	Steel back fixture	Plastic back fixture
12	900 N	Optional in push	Optional	Only in push
9	1200 N	Optional in push	Optional	Only in push
6	1500 N	Optional in push	Optional	Only in push
5	1800 N	Optional in push	Optional	Only in push
3	2500 N	Optional in push	Always required	Not available

Self-locking specifications

Spindle pitch	Without short circuit	With short circuit
12 mm pitch	750	900
9 mm pitch	750	1200
6 mm pitch	1200	1500
5 mm pitch	1600	1800
3 mm pitch	2500	2500

Terms of use

The user is responsible for determining the suitability of LINAK products for specific application. LINAK takes great care in providing accurate and up-to-date information on its products.

However, due to continuous development in order to improve its products, LINAK products are subject to frequent modifications and changes without prior notice. Therefore, LINAK cannot guarantee the correct and actual status of said information on its products.

While LINAK uses its best efforts to fulfill orders, LINAK cannot, for the same reasons as mentioned above, guarantee the availability of any particular product. Therefore, LINAK reserves the right to discontinue the sale of any product displayed on its website or listed in its catalogues or other written material drawn up by LINAK.

All sales are subject to the Standard Terms of Sale and Delivery for LINAK. For a copy hereof, please contact LINAK.