



# Actuator LA18 IC Advanced system Data sheet

# LA18 IC Advanced system

---

The LA18 IC Advanced system consists of an LA18 Advanced Master and an LA18 Advanced Slave and is a system specially developed for comfort beds. The actuators make for a very quiet, powerful and sleek actuator system. As an option, it has a click-on back fixture making the mounting process simple and fast. The LA18 Advanced system supports wireless control via hand controls or the Bed Control App. Furthermore, the system supports connection of accessories like massage motor and extra Under Bed Light.



LA18 IC Advanced Master

LA18 IC Advanced Slave

---

## Features:

- 24-29 V DC supply with DC cable
- The "Master" actuator has an integrated control box
- The "Slave" actuator is connected to the Master with 6-pole minifit plug
- Thrust up to 6000 N in push
- Compact design with small installation dimensions
- Colour: Black, RAL 9005
- Low noise level
- Favourite positions
- Built-in Bluetooth® Low Energy technology
- Integrated Under Bed Light (Placed on control box)
- Hall feedback

## Options:

- "Click-on" back fixture (Ø33.8 mm)
- Parallel drive of two LA18 Advanced systems

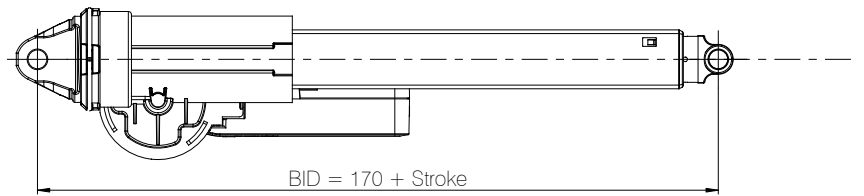
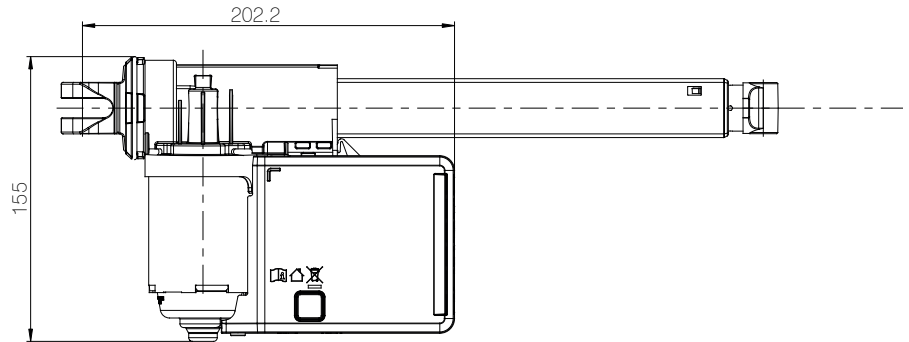
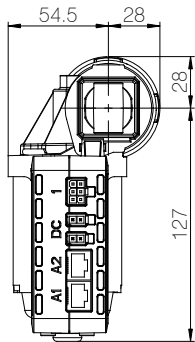
## Usage:

- Duty cycle: 10 % ≈ 2 minutes at continuous use followed by 18 minutes pause
- Ambient temperature: 5 to 40 °C
- Compatible with HOMELINE® hand controls
- Compatible with SMPS001/002/006
- Compatible with LEDLIGHTRAIL001/002 and Massage Motors MD1000D7/MD1000D8
- Approved in accordance with to UL 962
- Approved in accordance with FCC and IC

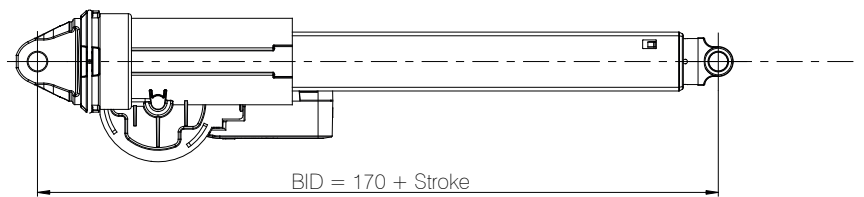
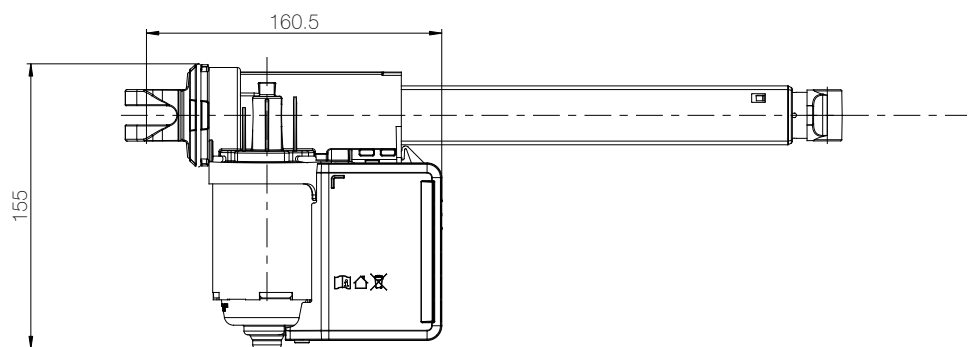
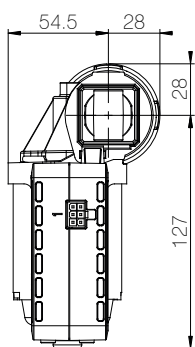


## Dimensions

### LA18 IC Advanced Master

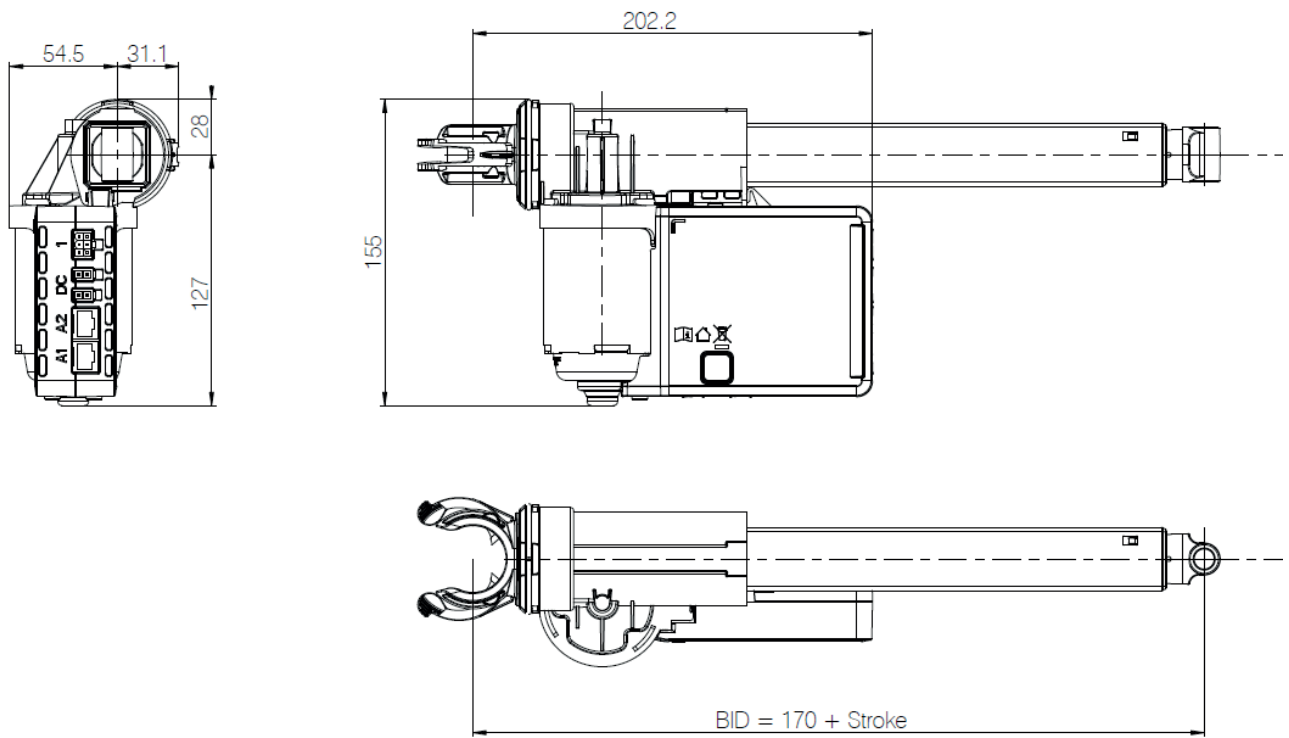


### LA18 IC Advanced Slave

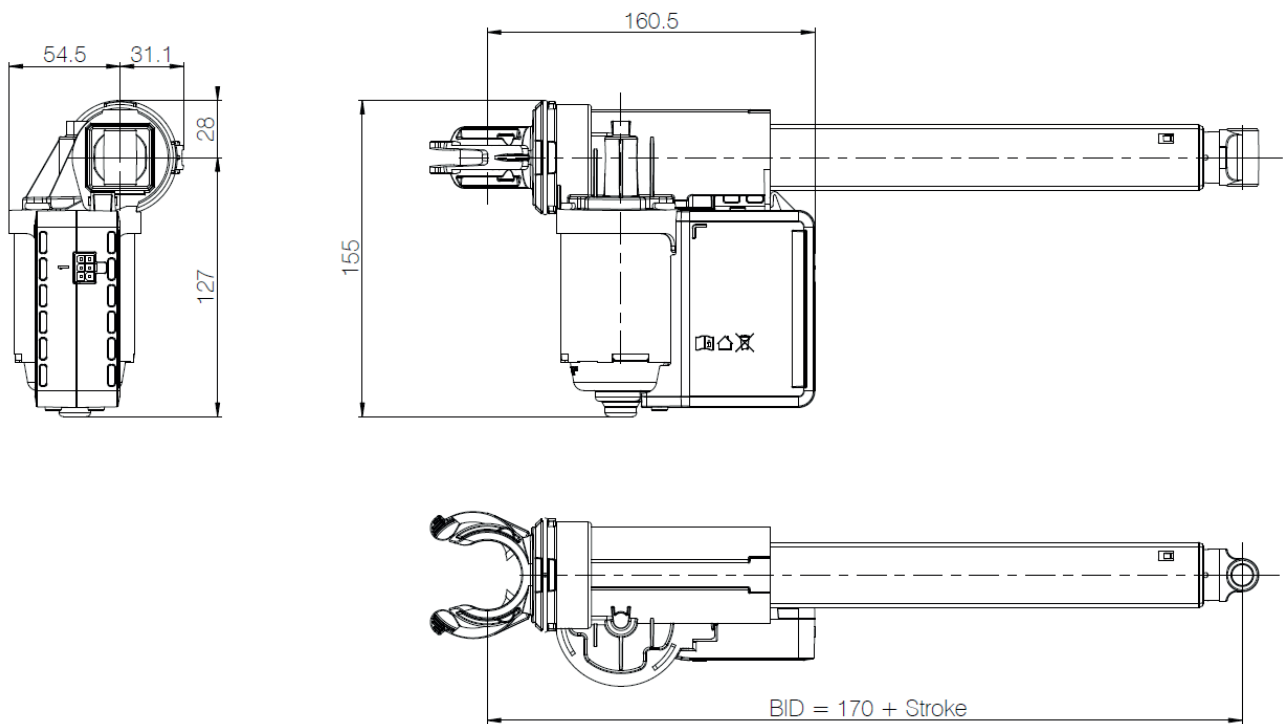


## Dimensions

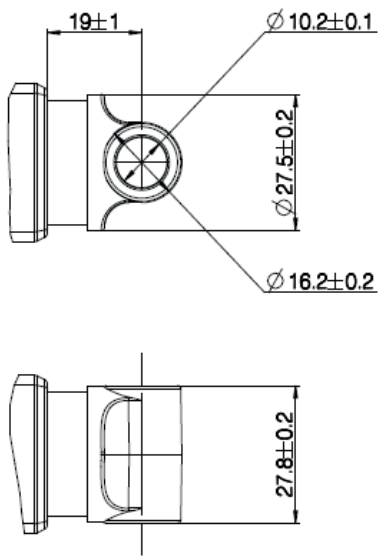
### LA18 IC Advanced Master Click-on back fixture



### LA18 IC Advanced Slave Click-on back fixture

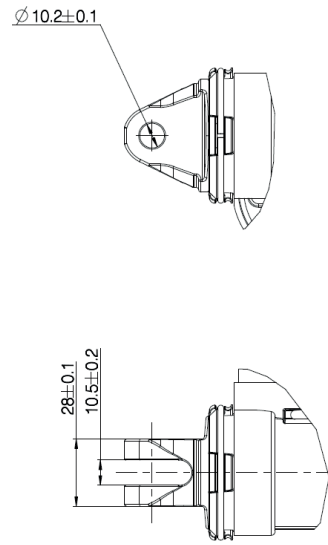


Piston Rod Eye

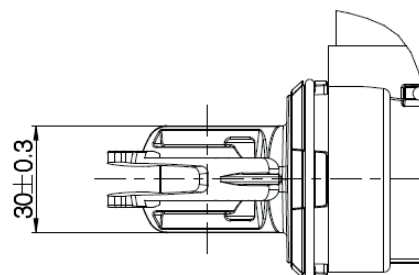
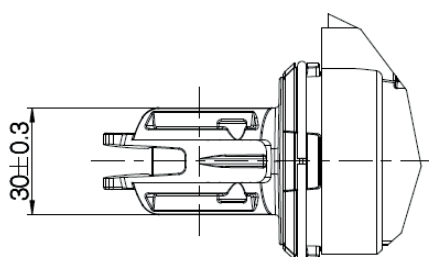
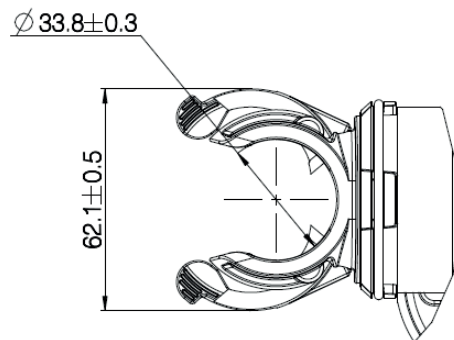
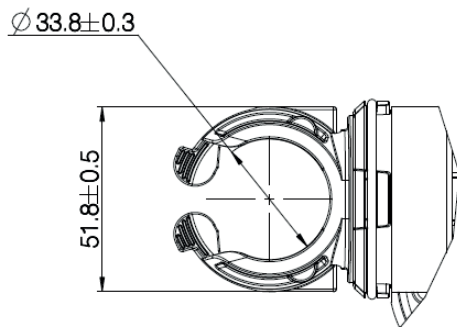


Back fixtures

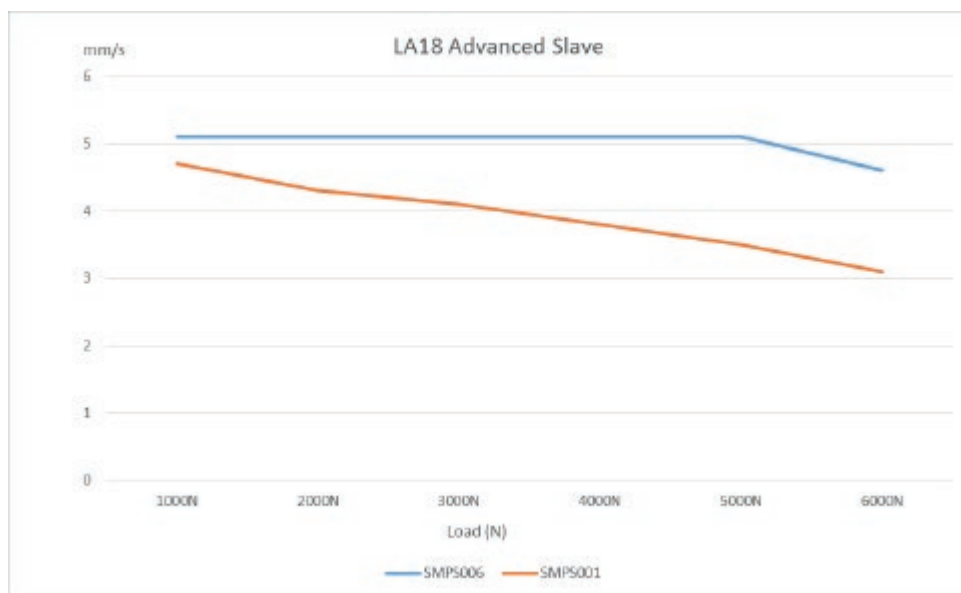
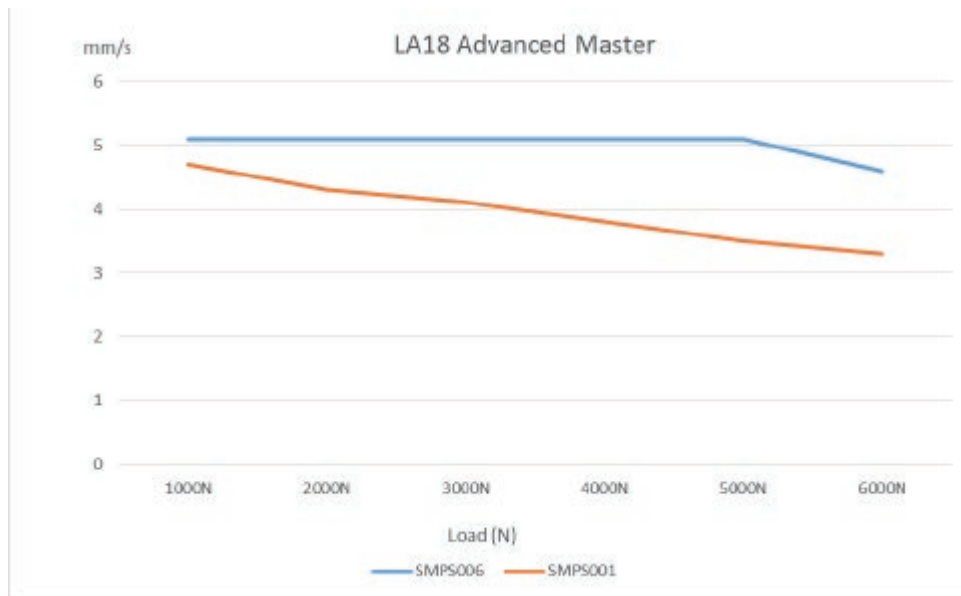
Standard back fixture (1 = standard with slot  $\varnothing 10.2$  mm)



Click-on back fixture (6 = Click-on ( $\varnothing 33.8$  mm))



## Typical speed curve



---

**Terms of use**

The user is responsible for determining the suitability of LINAK products for specific application. LINAK takes great care in providing accurate and up-to-date information on its products.

However, due to continuous development in order to improve its products, LINAK products are subject to frequent modifications and changes without prior notice. Therefore, LINAK cannot guarantee the correct and actual status of said information on its products.

While LINAK uses its best efforts to fulfill orders, LINAK cannot, for the same reasons as mentioned above, guarantee the availability of any particular product. Therefore, LINAK reserves the right to discontinue the sale of any product displayed on its website or listed in its catalogues or other written material drawn up by LINAK.

All sales are subject to the Standard Terms of Sale and Delivery for LINAK. For a copy hereof, please contact LINAK.