

Linear Actuator LA14

Data Sheet



Contents

Preface	3
Terms of use	4
Introduction	5
Safety instructions	5
Features	7
Options in general	7
Usage	7
Ordering example	8
Technical specifications	11
Speed and current curves	12
Speed and current curves	13
Duty cycle - 24 V	14
Current limits	15
Current cut-offs	15
Stroke and built-in tolerances	16
Dimensions	16
Piston rod eyes	17
Back fixture orientation	21
Cable mounting	22
Cables	23
Power + signal cable dimensions	23
8-pin connector cable item numbers	23
Power + signal cable dimensions	24
Power + signal cable dimensions	25
Power + signal cable dimensions	26
Power + signal cable dimensions	27
Environmental tests - Climatic	29
Environmental tests - Climatic	30
Environmental tests - Mechanical	31
Environmental tests - Electrical	32
Non-complying standards	33
Contacts	34

Preface

Dear User,

We are delighted that you have chosen a LINAK® product.

LINAK systems are high-tech products based on many years of experience in the manufacture and development of actuators, lifting columns, desk frames, electric control boxes, controls, batteries, accessories and chargers.

This User Manual does not address the end user. It is intended as a source of information for the equipment or system manufacturer only, and it will tell you how to install, use and maintain your LINAK electronics. The manufacturer of the end product has the responsibility to provide a User Manual, where relevant safety information from this manual is passed on to the end user.

We are convinced that your LINAK product/system will give you many years of problem-free operation.

Before our products leave the factory, they undergo both function and quality testing. Should you, nevertheless, experience problems with your product/system, you are always welcome to contact your supplier.

LINAK subsidiaries and some distributors situated all over the world have authorised service centres, which are always ready to help you. Locate your local contact information on the back page.

LINAK provides a warranty on all products. (See warranty section).

This warranty, however, is subject to correct use in accordance with the specifications, maintenance being done correctly, and any repairs being carried out at a service centre, which is authorised to repair LINAK products.

Changes in installation and use of LINAK systems can affect their operation and durability. The products may only be opened by authorised personnel.

This User Manual has been written based on the present technical knowledge. LINAK reserves the right to carry out technical modifications and keeps the associated information updated.

LINAK A/S

Terms of use

LINAK® takes great care in providing accurate and up-to-date information on its products. However, the user is responsible for determining the suitability of LINAK products for a specific application.

Due to continual development, LINAK products are subject to frequent modifications and changes. LINAK reserves the rights to conduct modifications, updates, and changes without any prior notice. For the same reason, LINAK cannot guarantee the correctness and actual status of imprinted information on its products.

LINAK uses its best efforts to fulfil orders. However, for the reasons mentioned above, LINAK cannot guarantee availability of any particular product at any given time. LINAK reserves the right to discontinue the sale of any product displayed on its website or listed in its catalogues or in other written material created and produced by LINAK, LINAK subsidiaries, or LINAK affiliates.

All sales are subject to the 'Standard Terms of Sale and Delivery for LINAK A/S' available on LINAK websites.

LINAK and the LINAK logotype are registered trademarks of LINAK A/S. All rights reserved.

Introduction

Extremely durable short-range linear actuator for applications operating in rough environments. Ensures reliable performance in temperatures ranging from -40 to +85° Celsius.

The actuator LA14 is a very tough actuator with a high IP degree and aluminium housing, making it ideal for use in harsh and demanding environments. Also, it is available with an optional ATEX/IECEx approval.

Safety instructions

Please read this safety information carefully.

Be aware of the following three symbols throughout the document:



Warning!

Failing to follow these instructions can cause accidents resulting in serious personal injury.



Recommendations

Failing to follow these instructions can result in the actuator suffering damage or being ruined.



Additional information

Usage tips or additional information that is important in connection with the use of the actuator.

Furthermore, ensure that all staff who are to connect, mount, or use the actuator are in possession of the necessary information and that they have access to this document.

Persons who do not have the necessary experience or knowledge of the product/products must not use the product/products. Besides, persons with reduced physical or mental abilities must not use the product/products, unless they are under surveillance or they have been thoroughly instructed in the use of the apparatus by a person who is responsible for the safety of these persons.

Moreover, children must be under surveillance to ensure that they do not play with the product.

Before you start mounting/dismounting, ensure that the following points are observed:

- The actuator is not in operation.
- The actuator is free from loads that could be released during this work.

Before you put the actuator into operation, check the following:

- The actuator is correctly mounted as indicated in the relevant user instructions.
- The equipment can be freely moved over the actuator's whole working area.
- The actuator is connected to a mains electricity supply/transformer with the correct voltage and which is dimensioned and adapted to the actuator in question.
- Ensure that the voltage applied matches to the voltage specified on the actuator label.
- Ensure that the connection bolts can withstand the wear.
- Ensure that the connection bolts are secured safely.

During operation, please be aware of the following:

- Listen for unusual sounds and watch out for uneven running. Stop the actuator immediately if anything unusual is observed.
- Do not sideload the actuator.
- Only use the actuator within the specified working limits.
- Do not step on or kick the actuator.

When the equipment is not in use:

- Switch off the mains supply in order to prevent unintentional operation.
- Check regularly for extraordinary wear.

Classification

The equipment is not suitable for use in the presence of a flammable anaesthetic mixture with air or with oxygen or nitrous oxide.

**Warnings**

- Do not sideload the actuator.
- When mounting the actuator in the application ensure that the bolts can withstand the wear and that they are secured safely.
- If irregularities are observed, the actuator must be replaced.

**Recommendations**

- Do not place load on the actuator housing.
- Prevent impact or blows, or any other form of stress to the housing.
- Ensure that the cable cover is mounted correctly. Use 1.5 Nm torque.
- Ensure that the duty cycle and the usage temperatures for LA14 actuators are respected.
- Ensure that the cable cannot be squeezed, pulled or subjected to any other stress.
- Furthermore, it will be good practice to ensure that the actuator is fully retracted in the "normal" position. The reason is that there will be a vacuum inside the actuator if it is extended which over time can lead to water entering the actuator.

Features

- Protection class: IP66 for outdoor use (dynamic). Furthermore, the actuator can be washed down by a high pressure cleaner (IP69K - static)
- Heavy duty aluminium housing for harsh conditions
- Stainless steel inner tube and zinc-coated steel piston rod eyes
- Stainless steel piston rod eye
- Colour: Dark olive grey
- Noise level at nominal voltage and with no load:
With standard motor: max. 50-53 dB (A). With fast motor: max. 58-63 dB (A)
Measuring method: DS/EN ISO 3743-1

Options in general

- 12 / 24 V DC Brushed motor
- Load up to 750 N
- Max. speed 45 mm/sec. depending on load and spindle pitch
- Stroke length from 19 to 130 mm (Zero Point: 100 to 130 mm)
- Built-in dimensions 245 mm (up to 345 mm)
- Different back fixtures and piston rod eyes
- Back fixture available in 2 different positions: 0° or 90°
- Exchangeable cables in different lengths up to 10 m
- Analogue or digital feedback for precise positioning
- Potentiometer for feedback positioning - max. stroke length 100 mm (not with IC)
- Endstop reached signals
- Built-in Zero Point or endstop switch initialisation principle
- Hall effect sensor for precise positioning
- Special anodised housing for extreme environments
- CCC Ex, IECEx/ATEX (Ex) certified for Zone 21*
- IC options (see specific interface user manuals at the [TECHLINE webpage](#) for Connection Diagrams and I/O Specifications) including:
 - I/O
 - IO-Link
 - LIN bus
 - CAN bus J1939
 - CANopen
 - Modbus RTU
 - Modbus TCP/IP
 - Ethernet/IP
 - Profinet
- PC configuration tool (Actuator Connect™ and BusLink)

Usage

- Duty cycle at 750 N and 2 mm pitch is max. 20% (4 min. drive and 16 min. rest)
Duty cycle at 300 N and 4 mm pitch is max. 40% (8 min. drive and 12 min. rest)
The duty cycles are valid for operation within an ambient temperature of +5°C to +40°C
- Ambient operating temperature: -40°C to + 85°C (for IECEx/ATEX: -25°C to +65°C), full performance from +5°C to +40°C
- Storage temperature: -55°C to +105°C



For more information about interfaces, please see the respective user manual on LINAK.com.

* Only available for actuators with 8-pin connector.

Ordering example

14 020 040 00 00 0 A 0 6 = 1 1 0 0 XXX 0 C S 0 0 0

Actuator type	14	= LA14		
Spindle type	020	= 2 mm		
	040	= 4 mm		
Stroke length	XXX	= mm		
Safety	00	= None		
Feedback	00	= None		
	0P	= Potentiometer		
	0K	= Single Hall		
	0A	= Hall potentiometer		
	0F	= PWM		
Platform	8-pin connector		12-pin connector	
	A	= IO-Link	B	= I/O Basic
	0	= None	C	= I/O Customised
	6	= LIN bus	F	= I/O Full
	7	= CAN bus J1939	Q	= Modbus RTU
	9	= CANopen	S	= IO-Link
	12-pin connector (with split supply)			
	E	= Ethernet/IP*		
	G	= CAN bus J1939		
	H	= CANopen		
	P	= Profinet		
	T	= Modbus TCP/IP	X	= Special
Motor type	A	= 12 V BDC Standard		
	B	= 24 V BDC Standard		
	C	= 12 V BDC Fast		
	D	= 24 V BDC Fast		
	X	= Other		
Endstop	0	= Power switch		
	1	= Signal switch		
	2	= Zero Point		
IP	6	= IP66	Not for 12-pin connector	
	9	= Harsh environment + IP66/IP69K	T	= ATEX
Colour	=	= Dark Olivish Grey NCS S7000-N		
	-	= Black RAL 9005 (Harsh environment)		
Back fixture	1	= 0°	A	= 0° with POM
	2	= 90°	B	= 90° with POM

* Actuators with Ethernet/IP are only compatible with Plug type E and Cable type S (ordering number: 0257079)

Ordering example

14 020 040 00 00 0 A 0 6 = 1 1 0 0 XXX 0 C S 0 0 0

Piston rod eye	Zinc-coated steel		AISI 304	
	1	= ø10.2	3	= ø12.3
	2	= ø12.3	A	= ø10.2
	5	= With bushings ø8.1	C	= With bushings ø8.1
	6	= With bushings ø10.2	D	= With bushings ø10.2
			K	= Ball eye ø10H7
			L	= Ball eye ø12H7
		AISI 303		
		4	= ø12.3	
		E	= With bushings ø10.2	
	M	= Male adapter M12		
	F	= Female adapter M8	X	= Special
Endstop reached output	0	= No endstop reached signal	J	= A_HIGH / LOW
	1	= Endstop reached signal	K	= A_LOW / LOW
	A	= A_HIGH / A_HIGH	L	= A_HIGH / HIGH
	B	= A_LOW / A-HIGH	M	= A_LOW / HIGH
	C	= A_HIGH / A_LOW	N	= LOW / LOW
	D	= A_LOW / A_LOW	P	= HIGH / LOW
	E	= LOW / A_HIGH	Q	= LOW / HIGH
	F	= HIGH / A_HIGH	R	= HIGH / HIGH
	G	= LOW / A_LOW	X	= Special
	H	= HIGH / A_LOW		
Brake	0	= None		
Built-in dimensions	xxx	= Measured in mm		
Fire category	0	= None		
Plug type	0	= None (when no cable is chosen)		
	C	= Flying leads (when connector is not wanted)		
	E	= Ethernet M12 Y-cable (0257079)*		
	P	= IO-Link M12 Y-cable (0257077)		
	R	= Modbus RTU M12 Y-cable (0257078)		
	I	= Moulded Deutsch (DT4)		
	J	= Deutsch (DT4)		
	K	= AMP superseal		
	L	= Moulded AMP superseal		
	X	= Special		
Cable	0	= None		
	S	= Straight 0.75 m (8-core or 2-core when no feedback is needed)*		
	T	= Straight 1.5 m (8-core or 2-core when no feedback is needed)		
	R	= Straight 5 m (8-core or 2-core when no feedback is needed)		
	V	= Straight 10 m (8-core or 2-core when no feedback is needed)		
	Y	= Straight 1.5 m (11-core)**		
	Z	= Straight 5 m (11-core)**		
	P	= Y-cable 2 m (Bus only)		
X	= Special			

* Actuators with Ethernet/IP are only compatible with Plug type E and Cable type S

** Cable options Y and Z are only available with Plug type C or I.

Ordering example

14 020 040 00 00 0 A 0 6 = 1 1 0 0 XXX 0 C S 0 0 0

Safety factor **0** = 2.0

Feedback level

Bus

0 = None

Standard

0 = None

A = 0-10 V

B = 0.5-4.5 V

C = 4-20 mA

D = PWM 10-90%

E = PWM 20-80%

F = Special

IC Advanced and I/O

0 = None

G = 0-10 V

H = 0.5-4.5 V

J = 4-20 mA

K = PWM 10-90%
(Only IC Advanced)

L = PWM 20-80%
(Only IC Advanced)

X = Special

IC Basic

8 = None

IC Parallel

Z = Parallel

Parallel mode

0 = None OR Non-critical Parallel

2-8 = Critical Parallel

Technical specifications

12 V

Motor type	Load max. (N)	Self-lock max. (N) Push	Self-lock max. (N) Pull	Pitch (mm/spindle rev.)	Hall resolution (mm/count)	Typical speed (mm/s)		Standard stroke lengths (mm)	Typical amp (A)	
						No load	Full load		No load	Full load
BDC Standard	750	750	375	2	0.1	14	8	19-130	0.4	3.0
BDC Fast	750	750	375	2	0.1	22	15	19-130	0.4	4.2
BDC Standard	300	150	150	4	0.2	27	20	19-130	0.4	1.7
BDC Fast	300	100*	100*	4	0.2	43	36	19-130	0.5	2.6

24 V

Motor type	Load max. (N)	Self-lock max. (N) Push	Self-lock max. (N) Pull	Pitch (mm/spindle rev.)	Hall resolution (mm/count)	Typical speed (mm/s)		Standard stroke lengths (mm)	Typical amp (A)	
						No load	Full load		No load	Full load
BDC Standard	750	750	375	2	0.1	14	8	19-130	0.2	1.6
BDC Fast	750	750	375	2	0.1	22	16	19-130	0.2	2.5
BDC Standard	300	150	150	4	0.2	28	24	19-130	0.2	0.9
BDC Fast	300	100*	100*	4	0.2	45	38	19-130	0.3	1.3

*Estimated values.



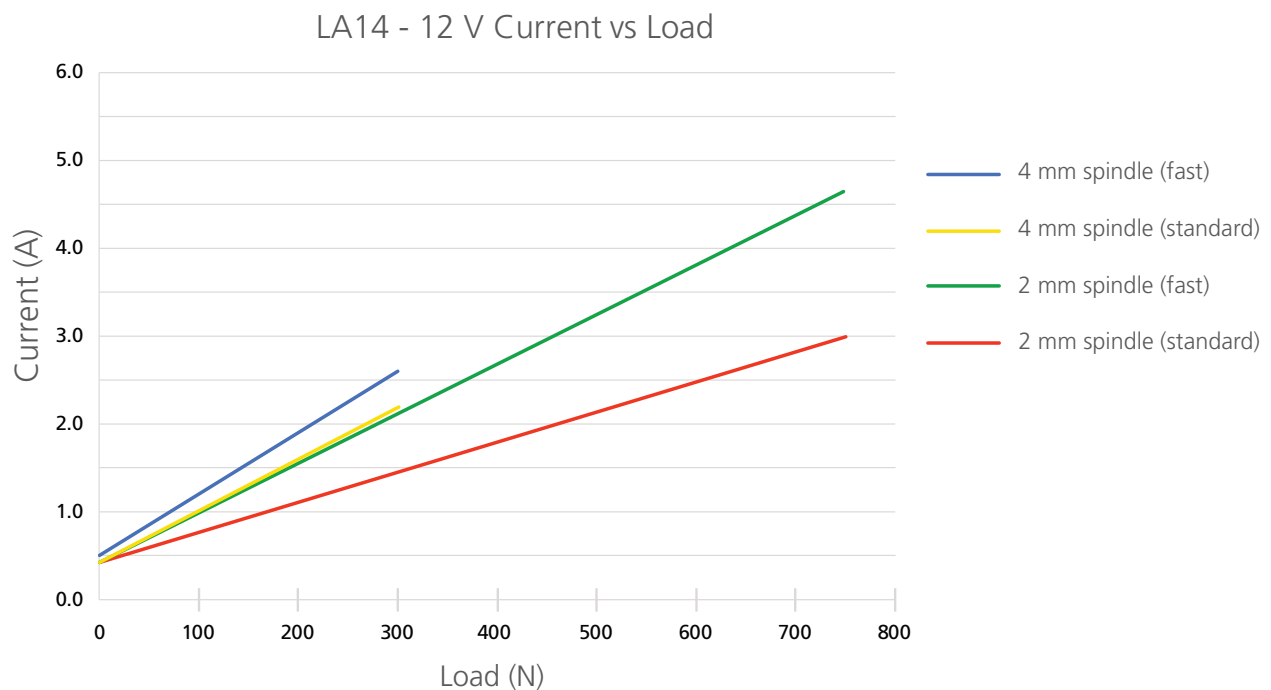
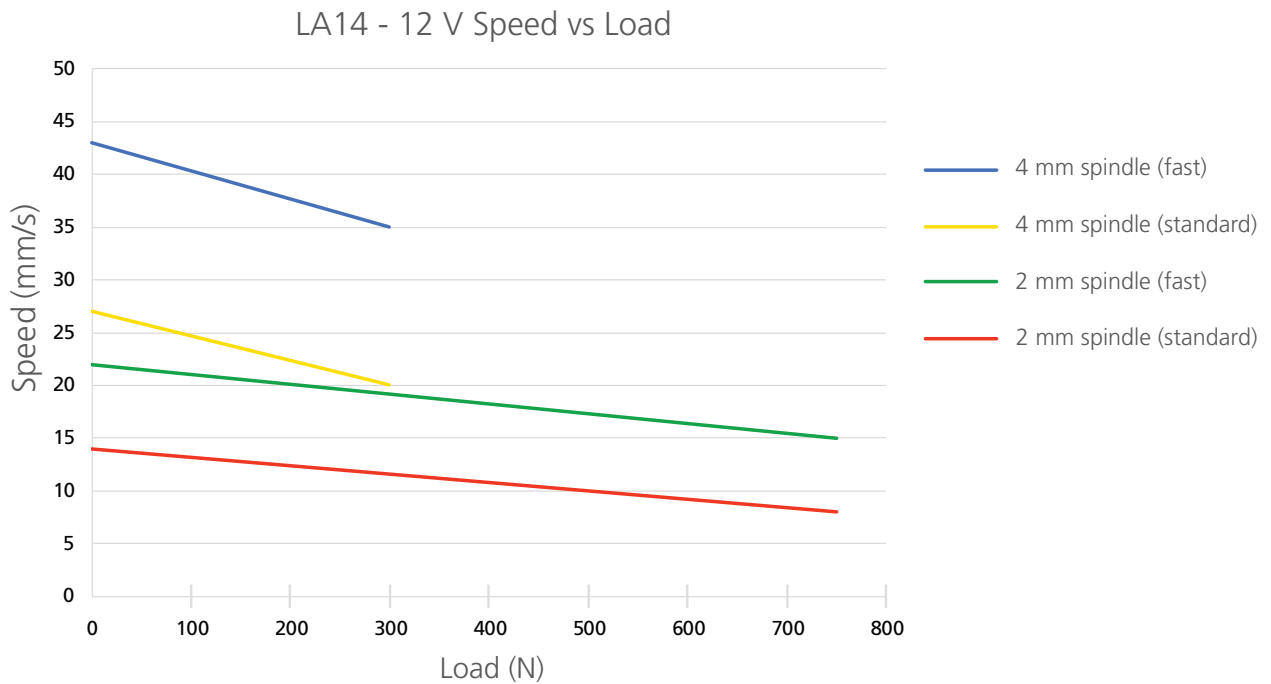
- To ensure maximum self-locking ability, please make sure that the motor is shorted when stopped. Actuators with Integrated Controller provide this feature, as long as the actuator is powered.
- When using soft stop on a DC-motor, a short peak of higher voltage will be sent back towards the power supply. It is important when selecting the power supply that it does not turn off the output when this backwards load dump occurs.



- The typical values can have a variation of $\pm 20\%$ on the current values and $\pm 10\%$ on the speed values. Measurements are made with an actuator in connection with a stable power supply and an ambient temperature of 20°C.
- Please note that all actuators featuring 'soft stop towards endstop' will run at a regulated speed, which is typically around 80% of the nominal speed.

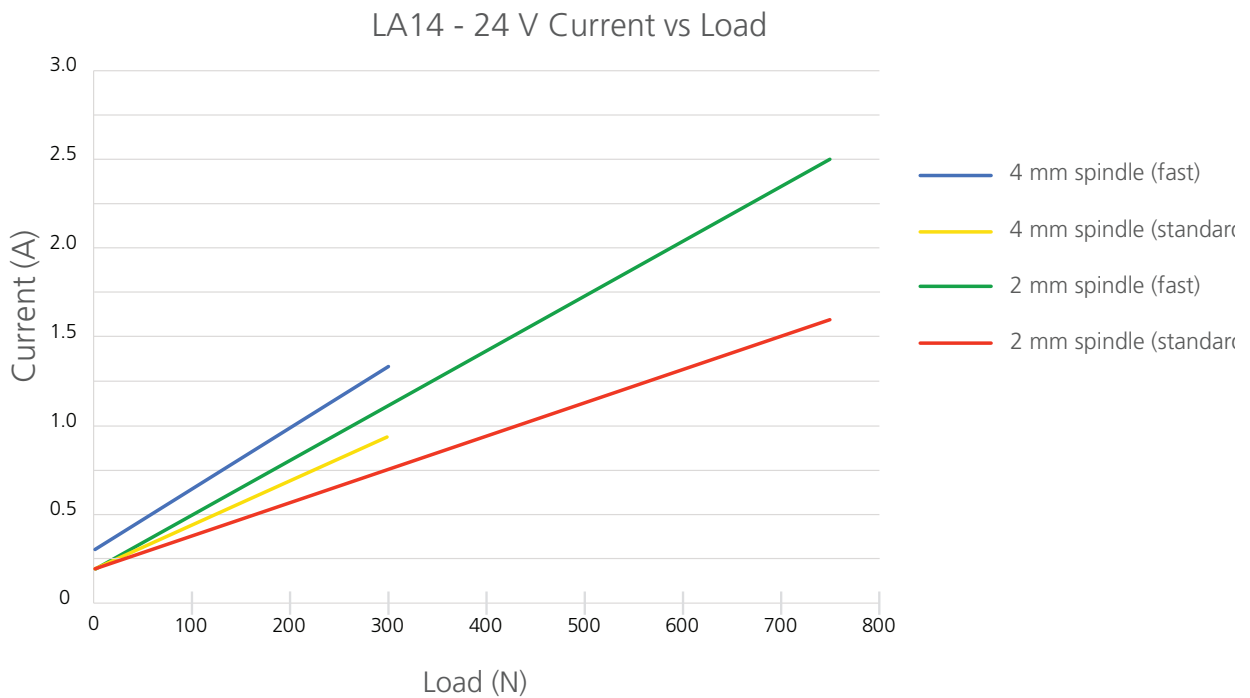
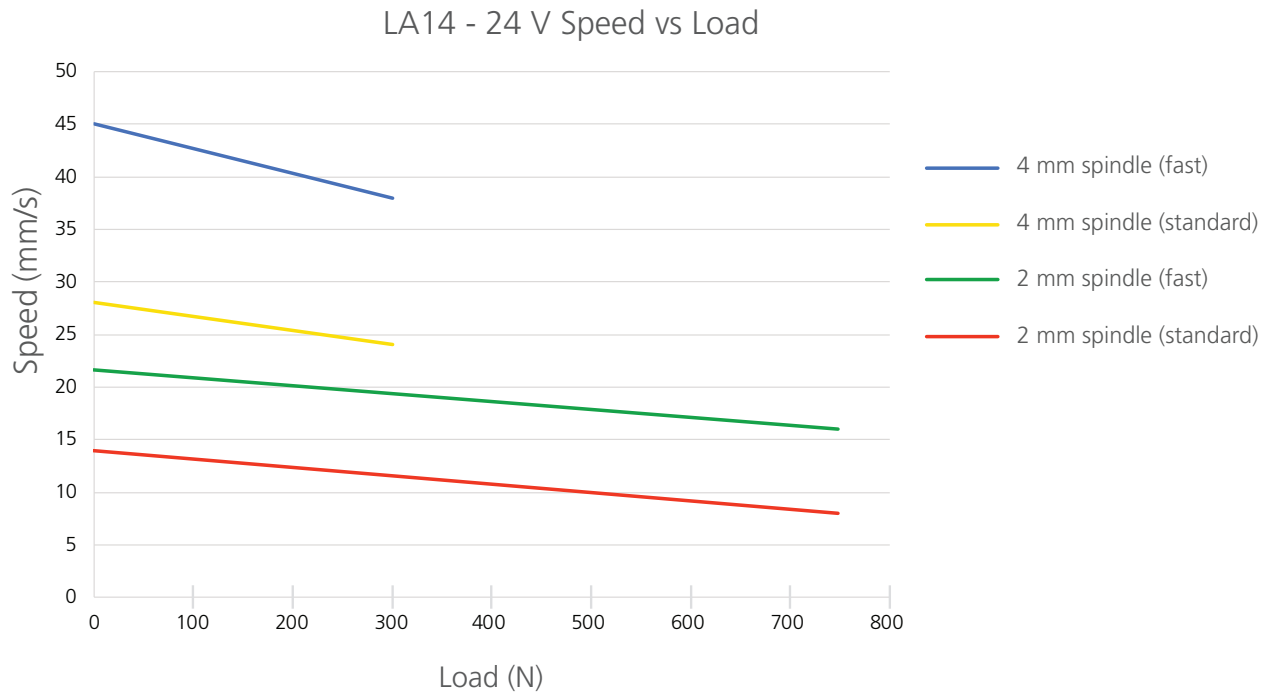
Speed and current curves

The charts below display typical values made with a nominal power supply and an ambient temperature of 20°C.

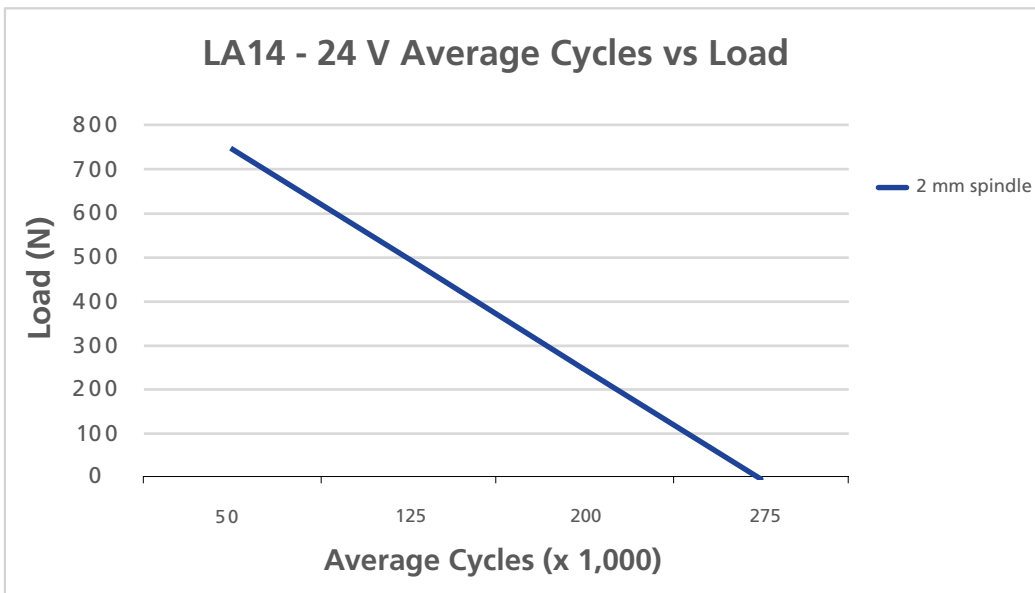
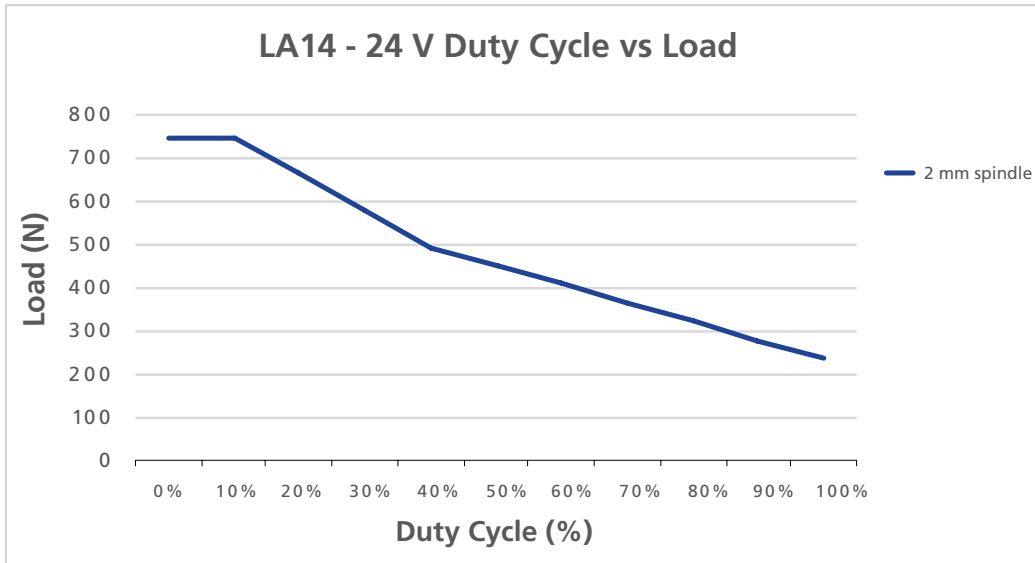


Speed and current curves

The charts below display typical values made with a nominal power supply and an ambient temperature of 20°C.



Duty cycle - 24 V



Current limits

If the actuator's current consumption rises above the set limit, the actuator regulates and tries to keep it below the set current limit by reducing the PWM and therefore also the speed accordingly. The actuator does this continuously, until the actuator stops moving (mechanically blocked). If there are no changes to the Hall feedback signal during the set time frame, the integrated controller will cut power to the H-bridge motor circuit.

If the actuator is stopped due to the above-mentioned criteria, it automatically drives slightly in the opposite direction to reduce the torque in a blocking situation.

For more detailed information, please see the I/O interface manual.

Platform		12 V	24 V	Reference temperature: 0°C
A B C E F	IO-Link (8-pin) I/O Basic I/O Customised Ethernet/IP I/O Full	8 A	5 A	Above
G P Q T S	CAN bus J1939 Profinet Modbus RTU Modbus TCP/IP IO-Link (12-pin)	9 A	6 A	Below

Current cut-offs

The principle behind the current cut-off measurement is an 'above limit' and a 'below limit' accumulating counter. When the time-out counter reaches a specific value the current cut-off goes into effect. The time-out value is pre-set at 500 ms.

Platform		12 V	24 V	Reference temperature: 0°C
6 7	LIN bus CAN bus J1939	8 A	5 A	Above
9	CANopen	8 A	8 A	Below

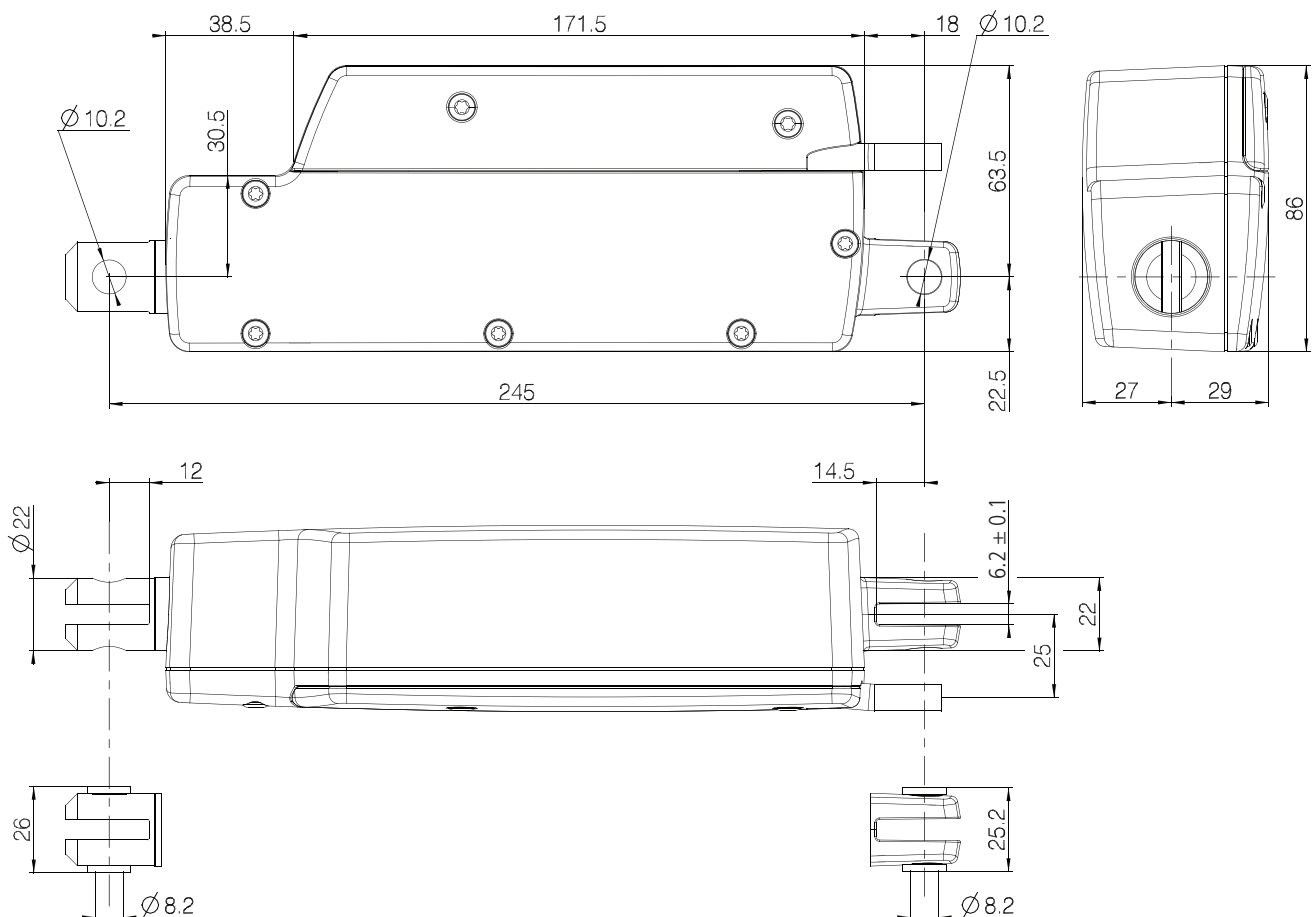
Stroke and built-in tolerances

Platforms		Stroke tolerance	Example for 130 mm stroke	BID tolerance	Example for 245 mm BID
O	None with built-in limit switches or Zero Point	+2/- 2 mm	128 to 132 mm	+2/- 2 mm	243 to 247 mm
A B C E F G P Q T S	IO-Link (8-pin) I/O Basic I/O Customised Ethernet/IP I/O Full CAN J1939 Profinet Modbus RTU Modbus TCP/IP IO-Link (12-pin)	+1/-3 mm	127 to 131 mm	+2/- 2 mm	243 to 247 mm
All	All with Piston Rod Eye (PRE): K and L*	-	-	+2/- 2 mm	254 to 258 mm

*BID is 11 mm longer with PRE: K and L

Dimensions

All dimensions are in mm

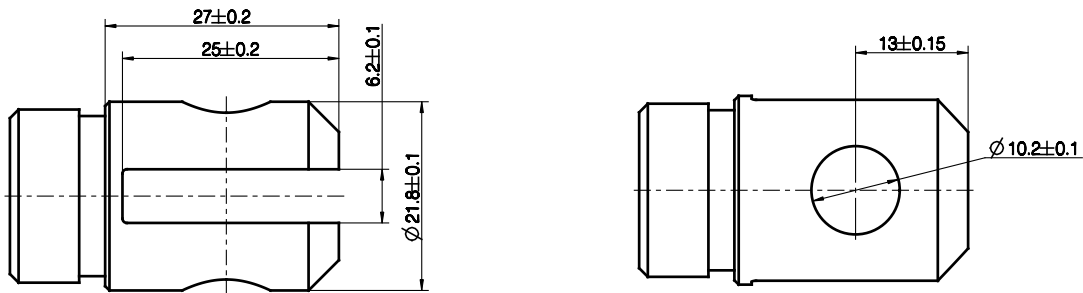


Piston rod eyes

Option "1" and "A"

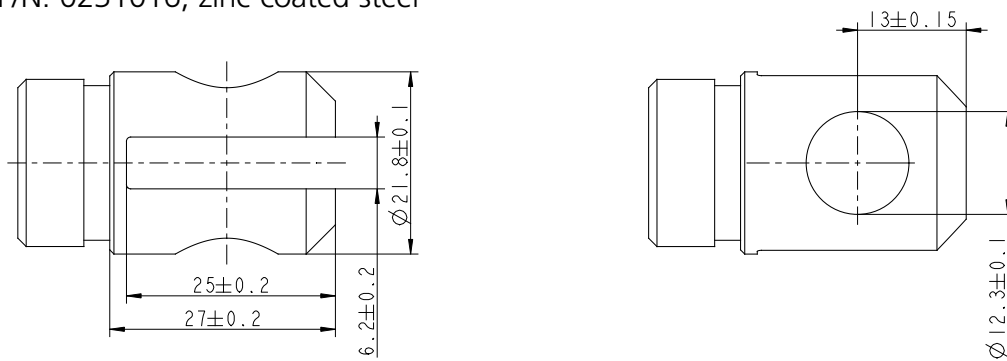
LINAK P/N: 0231033, zinc-coated steel

LINAK P/N: 0231096, AISI 304



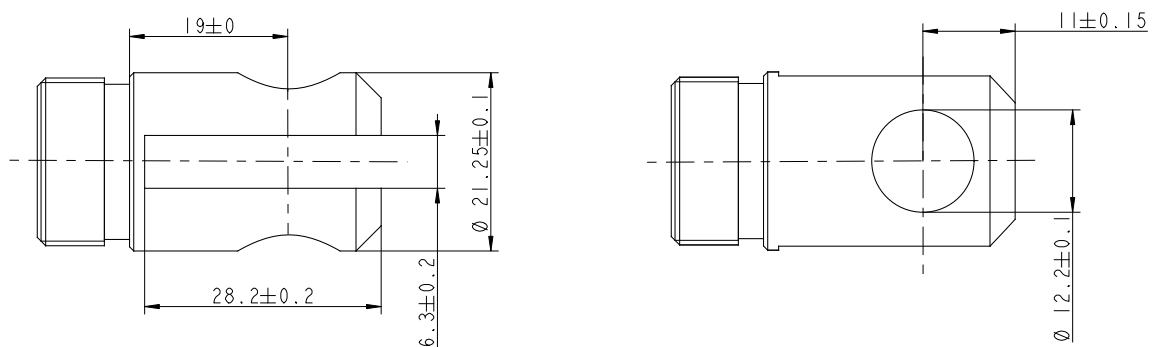
Option "2"

LINAK P/N: 0231016, zinc-coated steel



Option "3"

LINAK P/N: 0301244, AISI 304

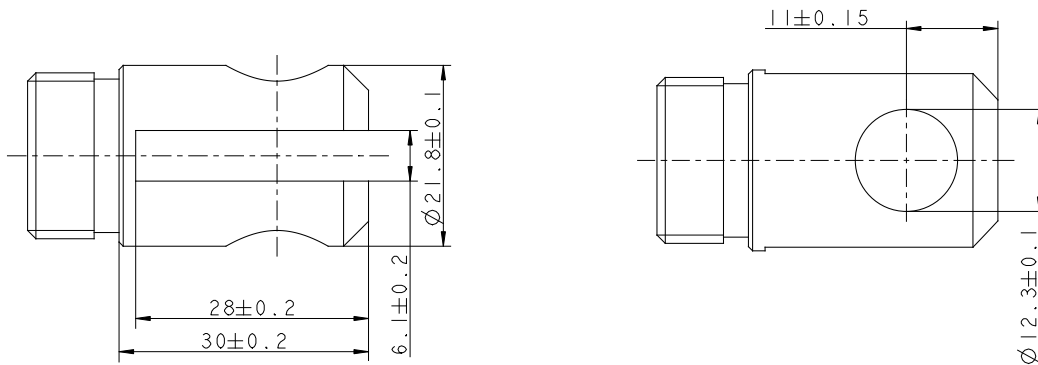


The piston rod eye is only allowed to turn 0 - 90 degrees.

Piston rod eyes

Option "4"

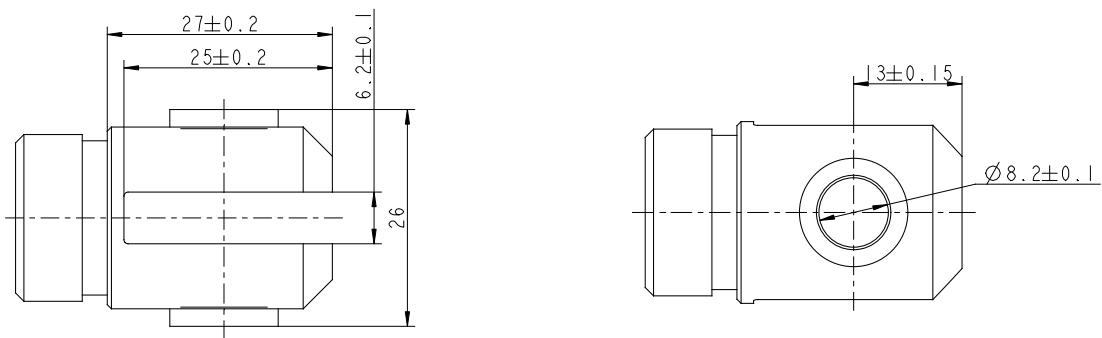
LINAK P/N: 031923, AISI 303



Option "5" and "C"

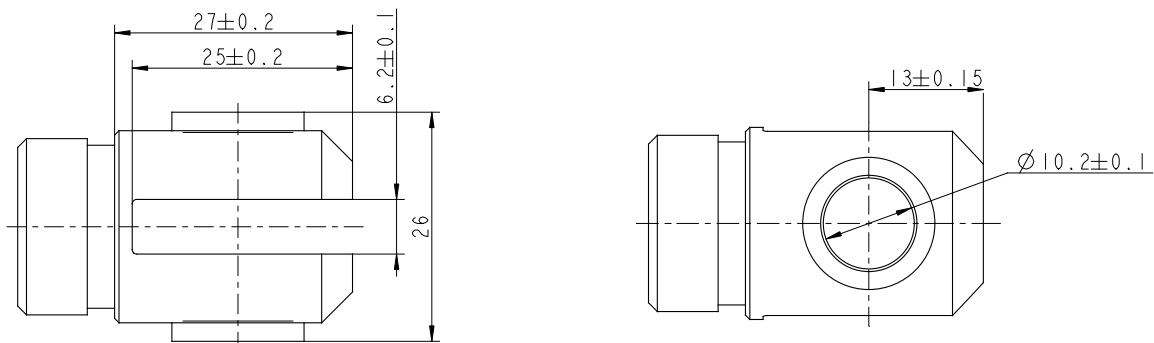
LINAK P/N: 0231033 with bushings, zinc-coated steel

LINAK P/N: 0231096 with bushings, AISI 304



Option "6"

LINAK P/N: 0231016 with bushings, zinc-coated steel



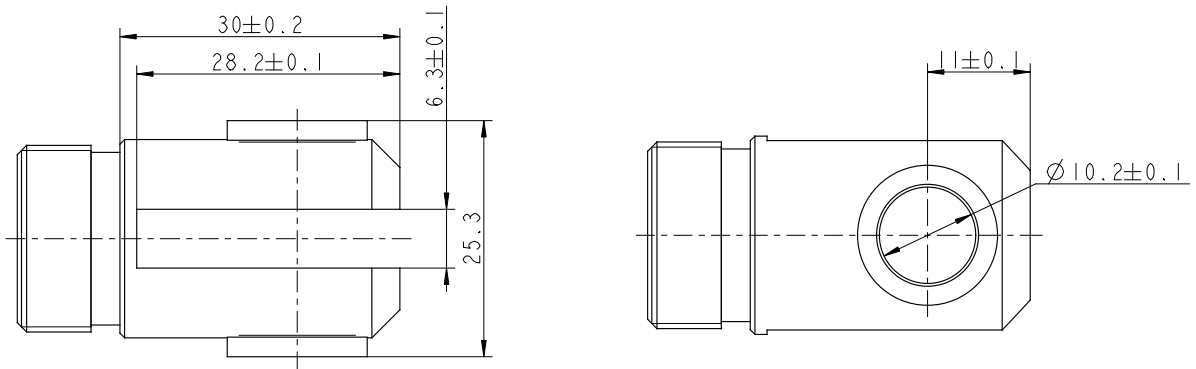
The piston rod eye is only allowed to turn 0 - 90 degrees.

Piston rod eyes

Option "D" and "E"

LINAK P/N: 0301244 with bushings, AISI 304

LINAK P/N: 031923 with bushings, AISI 303



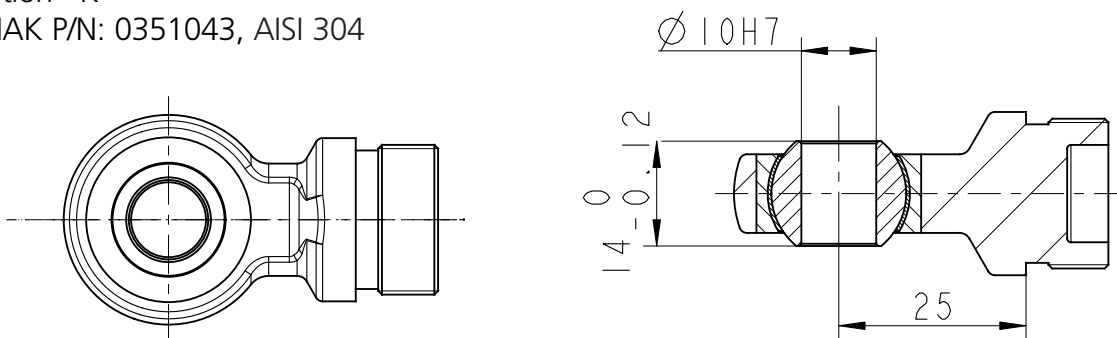
Option "F"

LINAK P/N: 0251039, AISI 303



Option "K"*

LINAK P/N: 0351043, AISI 304

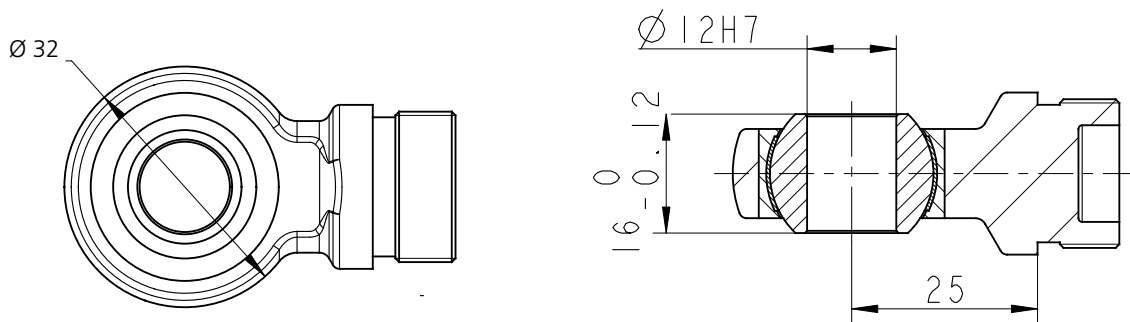


* With piston rod eye version 'K', the BID is standard plus 11 mm

Piston rod eyes

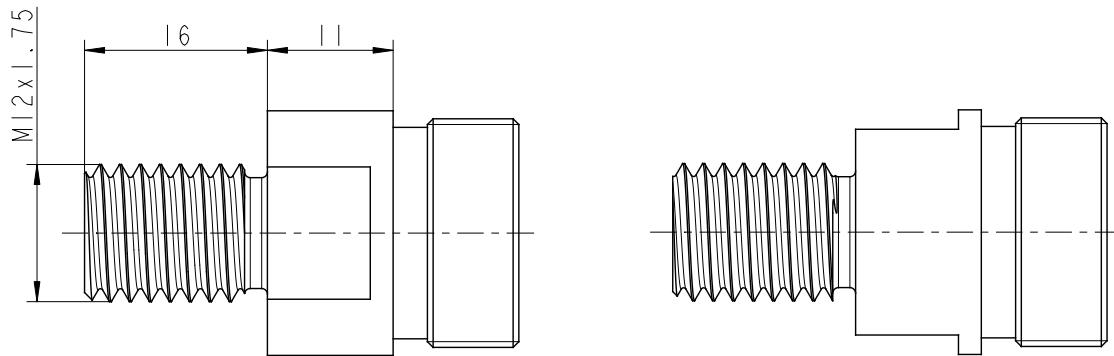
Option "L"*

LINAK P/N: 0351035, AISI 304



Option "M"

LINAK P/N: 0231094, AISI 304



* With piston rod eye version 'L', the BID is standard plus 11 mm.



The piston rod eye is only allowed to turn 0 - 90 degrees.

Back fixture orientation

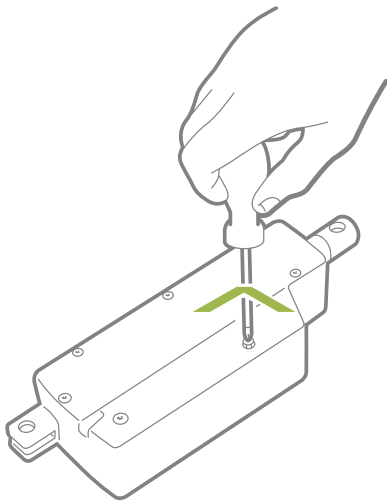


"0" Degrees

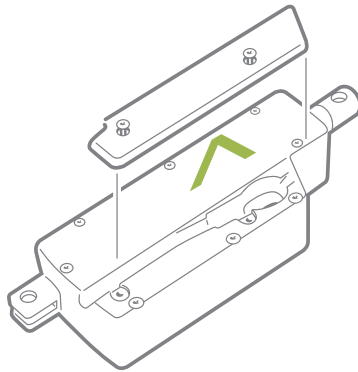


"90" Degrees

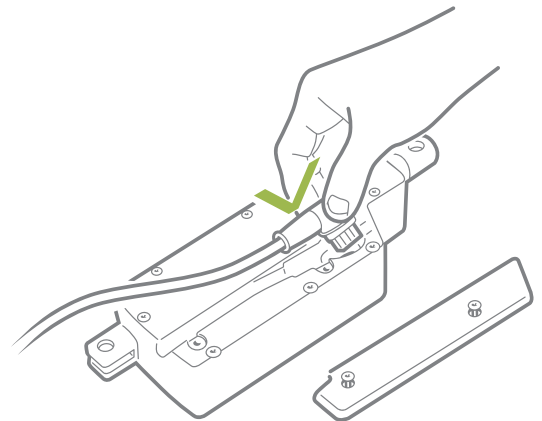
Cable mounting



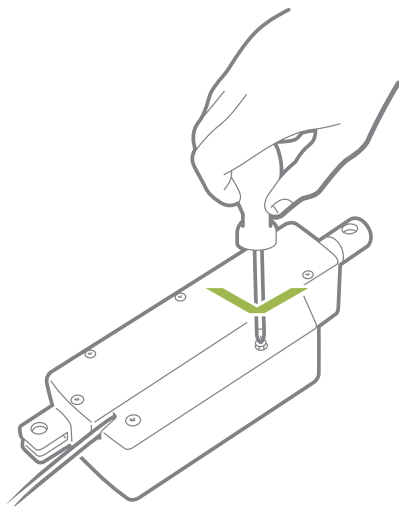
1. Unscrew the cover



2. Remove the cover



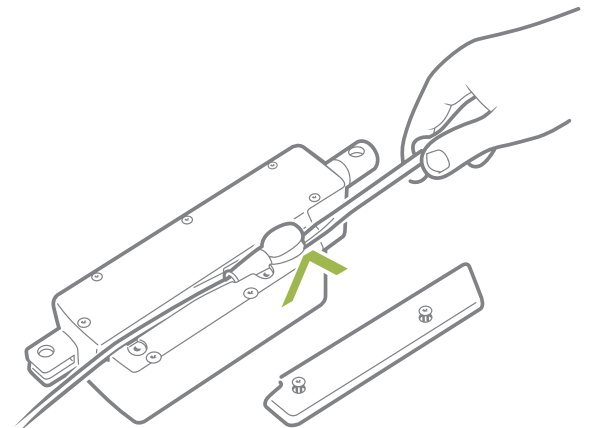
3. Plug in the cable gently without using any tools



4. Screw the cover back onto the actuator

The torque of the cover screw is approx. 1.5 Nm

Removing cables



5. Use a screwdriver to pull up the cable



When changing the cables on a LINAK® actuator, it is important that this is done carefully, in order to protect the plugs and pins. Before the new cable is mounted, we recommend that the socket is greased with Vaseline®, to keep the high IP protection and ensure an easy mounting. Please be sure that the plug is in the right location and fully pressed in before the cable lid is mounted.

Please note that if the cables are mounted and dismantled more than 3 times the plugs can be damaged. Therefore, we recommend that such cables are discarded and replaced.

Also note that the cables should not be used for carrying the actuator.

We recommend to take some precaution and design the wire connection in a way, where the cable end is kept inside a closed, protected area to guarantee the high IP protection.



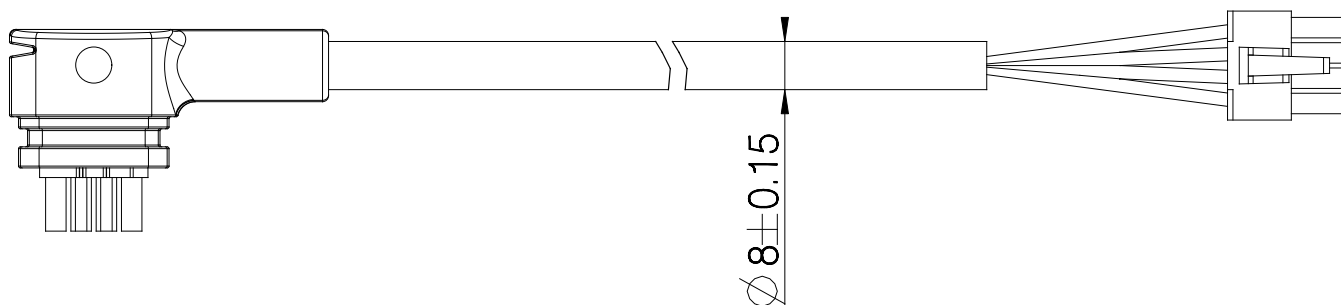
NOT valid for ATEX cables, please refer to the ATEX section for correct cable mounting on ATEX actuators.

Cables

Power + signal cable dimensions

LINAK P/N: 0147032 (Only for Standard actuators)

Colour	Outer dimensions	Core mm ²	AWG
Brown	Ø1.8 mm	1.0	18
Blue	Ø1.8 mm	1.0	18
Violet	Ø1.8 mm	1.0	18
Black	Ø1.8 mm	1.0	18
Red	Ø1.8 mm	1.0	18
Yellow	Ø1.8 mm	1.0	18
Green	Ø1.8 mm	1.0	18
White	Ø1.8 mm	1.0	18



8-pin connector cable item numbers

Connector		C		J/K		I/L	
		Length: See table ±30		Length: See table ±30		90	
Ordering no.	LINAK P/N	Length (mm)		Length (mm)		Length (mm)	
S	0147001 - 850	CS	810	JS/KS	785	IS/LS	740
T	0147001 - 1600	CT	1560	JT/KT	1535	IT/LT	1490
R	0147001 - 5100	CR	4960	JR/KR	4935	IR/LR	4890
V	0147001 - 10100	CV	10060	JV/KV	10035	IV/LV	9990

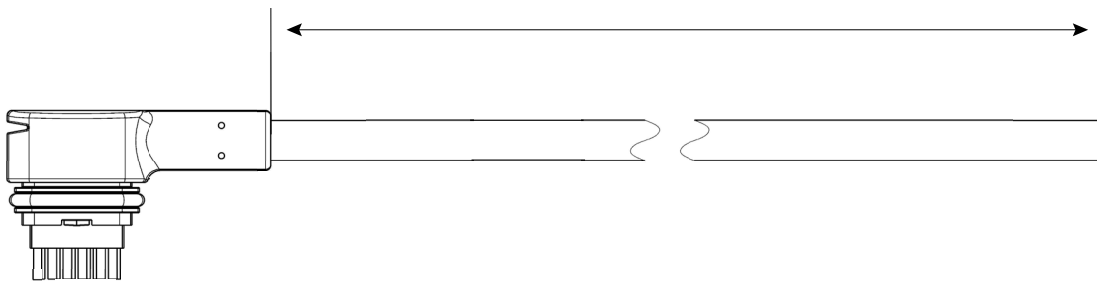
*AWG: American Wire Gauge

Cables

Power + signal cable dimensions

LINAK P/N: 0257057 (Only for actuators with I/O, CAN bus J1939, CANopen, IO-Link Parallel and Modbus RTU Parallel)

Colour	Outer dimensions	Core mm ²	AWG
Grey	Ø1.5 mm	0.5	20
Light Blue	Ø1.5 mm	0.5	20
Yellow	Ø1.5 mm	0.5	20
Red	Ø1.5 mm	0.5	20
White	Ø1.5 mm	0.5	20
Violet	Ø1.5 mm	0.5	20
Orange	Ø1.5 mm	0.5	20
Green	Ø1.5 mm	0.5	20
Black	Ø1.5 mm	0.5	20
Blue	Ø1.8 mm	1	18
Brown	Ø1.8 mm	1	18



12-pin connector cable item numbers

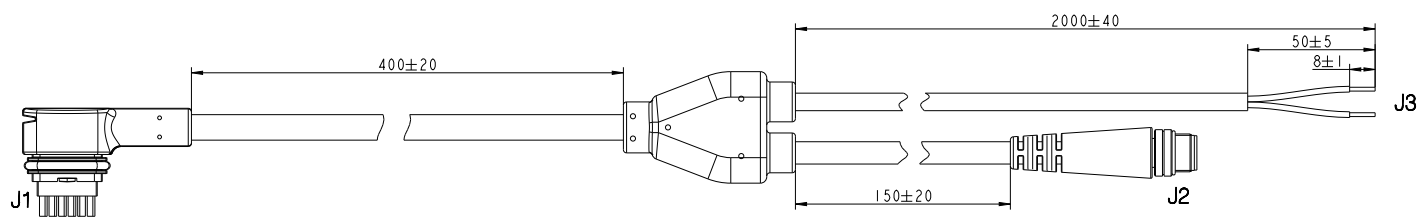
Cable P/N Table				
Ordering no.	LINAK P/N	Cable type	# Wires	Length in mm
Y	0257057 - 1600	Power + signal	11	1600 ± 30
Z	0257057 - 5100	Power + signal	11	5100 ± 50

Cables

Power + signal cable dimensions

LINAK P/N: 0257077 (Only for actuators with IO-Link)

Colour	Outer dimensions	Core mm ²	AWG
J1			
Grey	Ø1.5 mm	0.5	20
Light Blue	Ø1.5 mm	0.5	20
Yellow	Ø1.5 mm	0.5	20
Red	Ø1.5 mm	0.5	20
White	Ø1.5 mm	0.5	20
Violet	Ø1.5 mm	0.5	20
Orange	Ø1.5 mm	0.5	20
Green	Ø1.5 mm	0.5	20
Black	Ø1.5 mm	0.5	20
Blue	Ø1.8 mm	1	18
Brown	Ø1.8 mm	1	18
J2			
Grey	Ø1.8 mm	1	18
Light Blue	Ø1.8 mm	1	18
Orange	Ø1.8 mm	1	18
J3			
18Blue	Ø1.8 mm	1	18
Brown	Ø1.8 mm	1	18

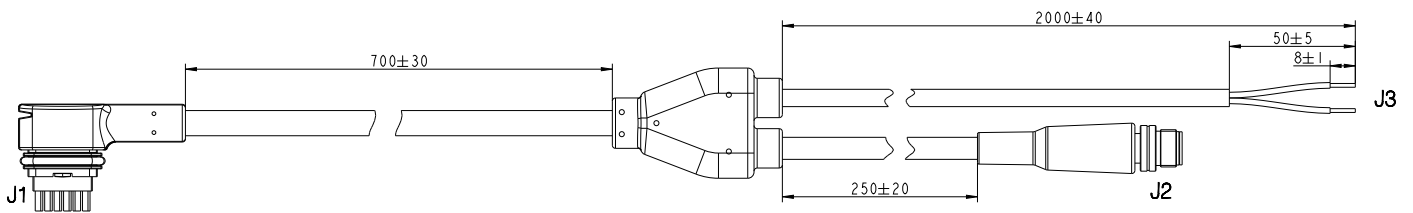


Cables

Power + signal cable dimensions

LINAK P/N: 0257078 (Only for actuators with Modbus RTU)

Colour	Outer dimensions	Core mm ²	AWG
J1			
Grey	Ø1.5 mm	0.5	20
Light Blue	Ø1.5 mm	0.5	20
Yellow	Ø1.5 mm	0.5	20
Red	Ø1.5 mm	0.5	20
White	Ø1.5 mm	0.5	20
Violet	Ø1.5 mm	0.5	20
Orange	Ø1.5 mm	0.5	20
Green	Ø1.5 mm	0.5	20
Black	Ø1.5 mm	0.5	20
Blue	Ø1.8 mm	1	18
Brown	Ø1.8 mm	1	18
J2			
Light Blue	Ø1.8 mm	0.34	22
Yellow	Ø1.8 mm	0.34	22
Red	Ø1.8 mm	0.34	22
Green	Ø1.8 mm	0.34	22
Black	Ø1.8 mm	0.34	22
J3			
Blue	Ø1.8 mm	1	18
Brown	Ø1.8 mm	1	18

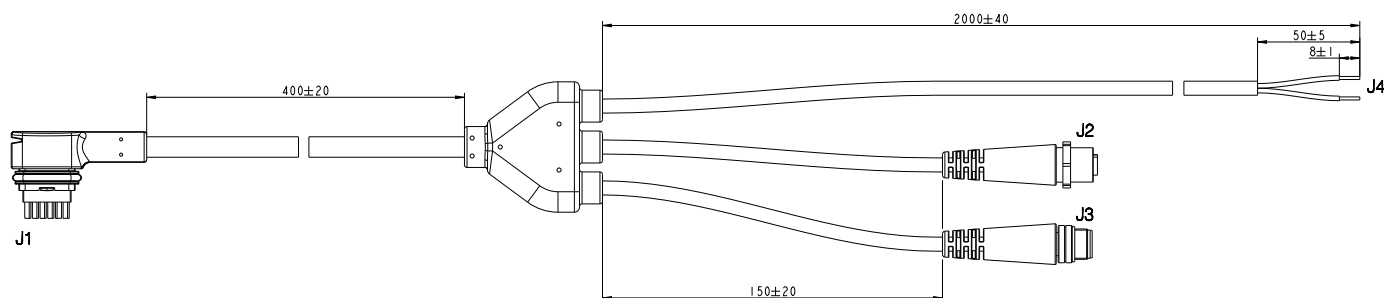


Cables

Power + signal cable dimensions

LINAK P/N: 0257079 (Only for actuators with Ethernet/IP)

Colour	Outer dimensions	Core mm ²	AWG
J1			
Grey	Ø1.5 mm	0.5	20
Light Blue	Ø1.5 mm	0.5	20
Yellow	Ø1.5 mm	0.5	20
Red	Ø1.5 mm	0.5	20
White	Ø1.5 mm	0.5	20
Violet	Ø1.5 mm	0.5	20
Orange	Ø1.5 mm	0.5	20
Green	Ø1.5 mm	0.5	20
Black	Ø1.5 mm	0.5	20
Blue	Ø1.8 mm	1	18
Brown	Ø1.8 mm	1	18
J2			
Grey	Ø1.8 mm	0.4	26
Light Blue	Ø1.8 mm	0.4	26
Yellow	Ø1.8 mm	0.4	26
Green	Ø1.8 mm	0.4	26
J3			
Red	Ø1.8 mm	0.4	26
White	Ø1.8 mm	0.4	26
Violet	Ø1.8 mm	0.4	26
Orange	Ø1.8 mm	0.4	26
Black	Ø1.8 mm	0.4	26
J4			
Blue	Ø1.8 mm	1	18
Brown	Ø1.8 mm	1	18



Electrical installation



- To ensure maximum self-locking ability, please be sure that the motor is shorted when stopped. Actuators with integrated controller provide this feature, as long as the actuator is powered.
- When using soft stop on a DC-motor, a short peak of higher voltage will be sent back towards the power supply. It is important when selecting the power supply that it does not turn off the output, when this backwards load dump occurs.
- When using actuators without integrated controller, it is strongly recommended to use a fuse between power supply and actuator.



The power supply for actuators without integrated controller must be monitored externally and cut off in case of current overload.

Environmental tests - Climatic

Test	Specification	Comment
Cold test	EN60068-2-1 (Ab)	Storage at low temperature: Temperature: - 40 °C Duration: 72 h Actuator is not connected/operated Tested at room temperature
	EN60068-2-1 (Ad)	Storage at low temperature: Temperature: -55 °C Duration: 24 h Actuator is not connected Tested at room temperature
	EN60068-2-1 (Ad)	Operating at low temperature: Temperature: -40 °C Duration: 4 h Tested at room temperature within 5 minutes overload
Dry heat	EN60068-2-2 (Bb)	Storage at high temperature: Temperature: +85 °C Duration: 72 h Actuator is not connected/operated Tested at room temperature
	EN60068-2-2 (Bd)	Operating at high temperature: Temperature: +85 °C Duration: 96 h Actuator operated at high temperature
Damp heat	EN60068-2-30 (Db)	Damp heat, cyclic: Relative humidity: 93-98% High temperature: +55 °C in 12 hours Low temperature: +25 °C in 12 hours Duration: 21 cycles in 24 hours Actuator is operated during test
Salt mist	EN ISO 9227	Dynamic salt spray test: Salt solution: 5% sodium chloride (NaCl) Temperature: 35 ± 2 °C Duration: 500 h Actuator is operated
Thermal shock		Dunk test: Actuator is heated to +85 °C for 4 h and submerged into a 0 °C cold salt-water-detergent solution for 2 h Followed by 18 h dry time Duration: 5 cycles

Environmental tests - Climatic

Test	Specification	Comment
Chemicals	BS7691 / 96 hours	Diesel 100% Hydraulic oil 100% Ethylene Glucol 50% Urea Nitrogen saturated solution Liquid lime 10% (Super - Cal) NPK Fertiliser (NPK 16-4-12) saturated Diesel exhaust fluid (DEF) 100% Tested for corrosion
Degrees of protection	EN60529 - IP66	IP6X - Dust: Dust-tight: no ingress of dust Actuator is not activated
	EN60529 - IP66	IPX6 - Water: Ingress of water in quantities causing harmful effects is not allowed Duration: 100 litres pr. minute in 3 minutes Actuator is not activated
	DIN40050 - IP69K	IPX9K: High pressure cleaner. Temperature: +80 °C Water pressure: 80-100 bar Water flow: 14-16 l/min Duration: 30 sec. each at 4 different angles: 0°, 30°, 60° and 90° Actuator is not activated Ingress of water in quantities causing harmful effects is not allowed
Rain		Dynamic rain test: Actuators exposed to continuous rain. Actuators operated and side loaded with 10 N Duration: 10,000 cycles and 240 h

Environmental tests - Mechanical

Test	Specification	Comment
Free fall		3 drops on 6 faces onto a steel plate Drop height: 300 mm onto the piston rod eye, 500 mm on all other faces
Shock	EN60068-2-27:2009	Peak Pulse Amplitude: 50 G Pulse Duration: 11 ms Number of pulses: 18 total - 3 in each direction for all three axes
Shock	EN60068-2-27:2009	Peak Pulse Amplitude: 30 G. Pulse Duration: 18 ms Number of pulses: 18 total - 3 in each direction for all three axes
Shock	EN60068-2-27:2009	Peak Pulse Amplitude: 25 G Pulse Duration: 6 ms Number of pulses: 6000 total - 1000 in each direction for all three axes
Random vibration	EN60068-2-64:2008	Frequency: 18 Hz to 1000 Hz ASD amplitudes: 18 Hz 0.025 g ² /Hz 150 Hz 0.015 g ² /Hz 1000 Hz 0.0015 g ² /Hz Duration: 2 h/axis

Environmental tests - Electrical

Standard	Specification	FOCUS ON
2004/104/EC	Automotive EMC Directive 2004/104/EC on electrical and electronic car components	<ul style="list-style-type: none"> VEHICLES AND MOBILITY
EN/IEC 60204-1: 2006 +A1: 2009	Safety of machinery - Electrical equipment of machines - Part 1: General requirements	<ul style="list-style-type: none"> INDUSTRIAL AUTOMATION
EN/IEC 60204-32: 2008	Safety of machinery - Electrical equipment of machines - Part 32: Requirements for hoisting machines	<ul style="list-style-type: none"> INDUSTRIAL AUTOMATION PLATFORMS AND LIFTS
EN/IEC 61000-6-1: 2007	Electromagnetic compatibility (EMC) - Part 6-1: Generic standards - Immunity for residential, commercial and light-industrial environments	<ul style="list-style-type: none"> INDUSTRIAL AUTOMATION
EN/IEC 61000-6-2: 2005	Electromagnetic compatibility (EMC) - Part 6-2: Generic standards - Immunity for industrial environments	<ul style="list-style-type: none"> INDUSTRIAL AUTOMATION
EN/IEC 61000-6-3: 2007 + A1:2011	Electromagnetic compatibility (EMC) - Part 6-3: Generic standards - Emission standard for residential, commercial and light-industrial environments	<ul style="list-style-type: none"> INDUSTRIAL AUTOMATION
EN/IEC 61000-6-4: 2007 + A1:2011	Electromagnetic compatibility (EMC) - Part 6: Generic standards - Section 4: Emission standard for industrial environments	<ul style="list-style-type: none"> INDUSTRIAL AUTOMATION
EN 13309: 2010	Construction machinery	<ul style="list-style-type: none"> CONSTRUCTION
EN/ISO 13766: 2006	Earth-moving machinery - Electromagnetic compatibility	<ul style="list-style-type: none"> CONSTRUCTION
EN/ISO 14982: 2009	Agricultural and forestry machines - Electromagnetic compatibility	<ul style="list-style-type: none"> MOBILE AGRICULTURE OUTDOOR POWER EQUIPMENT
EU recreational crafts directive 94/25/EC		
IECEx / ATEX (Ex) EN60079-0:2012 EN60079-31:2014	This Ex certification allows the actuator to be mounted in Ex dust areas: II 2D Ex tb IIIC T135°C Db Tamb -25°C to +65°C	
CCC Ex	CNCA-C23-01:2019 GB12476.1-2013 GB12476.5-2013	



All electrical and radiated emission (EMC) tests are conducted.

The above standards can all be found in the TRD5694, TRD5836, TRD5837 and TRD5842 documents.

Non-complying standards

Standard	Explanation
IEC 60601-1	Please note that this product cannot be approved according to the medical electrical equipment standard. Due to the combination of the aluminium cast housing and the embedded PCB, we do not fulfill the regulations according to leakage current.

Contacts

FACTORIES

Denmark - Headquarters

LINAK A/S
Phone: +45 73 15 15 15
Fax: +45 74 45 80 48
Fax (Sales): +45 73 15 16 13
Web: www.linak.com

China

LINAK (Shenzhen) Actuator Systems, Ltd.
Phone: +86 755 8610 6656
Phone: +86 755 8610 6990
Web: www.linak.cn

Slovakia

LINAK Slovakia s.r.o.
Phone: +421 51 7563 444
Web: www.linak.sk

Thailand

LINAK APAC Ltd.
Phone: +66 33 265 400
Web: www.linak.com

USA

LINAK U.S. Inc.
Americas Headquarters
Phone: +1 502 253 5595
Fax: +1 502 253 5596
Web: www.linak-us.com
www.linak-latinamerica.com

SUBSIDIARIES

Australia

LINAK Australia Pty. Ltd
Phone: +61 3 8796 9777
Fax: +61 3 8796 9778
E-mail: sales@linak.com.au
Web: www.linak.com.au

Austria

LINAK Zweigniederlassung - Österreich (Wien)
Phone: +43 (1) 890 7446
Fax: +43 (1) 890 744615
E-mail: info@linak.de
Web: www.linak.at - www.linak.hu

Belgium

LINAK Actuator-Systems NV/SA
(Belgium & Luxembourg)
Phone: +32 (0)9 230 01 09
E-mail: beinfo@linak.be
Web: www.linak.be - www.fr.linak.be

Brazil

LINAK Do Brasil Comércio De Atuadores Ltda.
Phone: +55 (11) 2832 7070
Fax: +55 (11) 2832 7060
E-mail: info@linak.com.br
Web: www.linak.com.br

Canada

LINAK Canada Inc.
Phone: +1 502 253 5595
Fax: +1 416 255 7720
E-mail: info@linak.ca
Web: www.linak-us.com

Czech Republic

LINAK C&S s.r.o.
Phone: +42 058 174 1814
Fax: +42 058 170 2452
E-mail: info@linak.cz
Web: www.linak.cz - www.linak.sk

Denmark - International

LINAK International
Phone: +45 73 15 15 15
E-mail: info@linak.com
Web: www.linak.com

Denmark - Sales

LINAK Danmark A/S
Phone: +45 86 80 36 11
Fax: +45 86 82 90 51
E-mail: linak@linak-silkeborg.dk
Web: www.linak.dk

Finland

LINAK OY
Phone: +358 10 841 8700
E-mail: linak@linak.fi
Web: www.linak.fi

France

LINAK France E.U.R.L.
Phone: +33 (0) 2 41 36 34 34
Fax: +33 (0) 2 41 36 35 00
E-mail: linak@linak.fr
Web: www.linak.fr

Germany

LINAK GmbH
Phone: +49 6043 9655 0
Fax: +49 6043 9655 60
E-mail: info@linak.de
Web: www.linak.de

India

LINAK A/S India Liaison Office
Phone: +91 120 4531797
Fax: +91 120 4786428
E-mail: info@linak.in
Web: www.linak.in

Ireland

LINAK UK Limited (Ireland)
Phone: +44 (0)121 544 2211
Fax: +44 (0)121 544 2552
+44 (0)796 855 1606 (UK Mobile)
+35 387 634 6554 (Rep.of Ireland Mobile)
E-mail: sales@linak.co.uk
Web: www.linak.co.uk

Italy

LINAK ITALIA S.r.l.
Phone: +39 02 48 46 33 66
Fax: +39 02 48 46 82 52
E-mail: info@linak.it
Web: www.linak.it

Japan

LINAK K.K.
Phone: 81-45-533-0802
Fax: 81-45-533-0803
E-mail: linak@linak.jp
Web: www.linak.jp

Malaysia

LINAK Actuators Sdn. Bhd.
Phone: +60 4 210 6500
Fax: +60 4 226 8901
E-mail: info@linak-asia.com
Web: www.linak.my

Netherlands

LINAK Actuator-Systems B.V.
Phone: +31 76 5 42 44 40 /
+31 76 200 11 10
E-mail: info@linak.nl
Web: www.linak.nl

New Zealand

LINAK New Zealand Ltd
Phone: +64 9580 2071
Fax: +64 9580 2072
E-mail: nzsales@linak.com.au
Web: www.linak.com.au

Norway

LINAK Norge AS
Phone: +47 32 82 90 90
E-mail: info@linak.no
Web: www.linak.no

Poland

LINAK Polska
LINAK Danmark A/S (Spółka Akcyjna)
Phone: +48 22 295 09 70 /
+48 22 295 09 71
E-mail: info@linak.pl
Web: www.linak.pl

Republic of Korea

LINAK Korea Ltd.
Phone: +82 2 6231 1515
Fax: +82 2 6231 1516
E-mail: info@linak.kr
Web: www.linak.kr

Slovakia

LINAK Slovakia S.R.O.
Phone: +421 51 7563 444
Web: www.linak.sk

Spain

LINAK Actuadores, S.L.u
Phone: +34 93 588 27 77
Fax: +34 93 588 27 85
E-mail: esma@linak.es
Web: www.linak.es

Sweden

LINAK Scandinavia AB
Phone: +46 8 732 20 00
Fax: +46 8 732 20 50
E-mail: info@linak.se
Web: www.linak.se

Switzerland

LINAK AG
Phone: +41 43 388 31 88
Fax: +41 43 388 31 87
E-mail: info@linak.ch
Web: www.linak.ch - www.fr.linak.ch
www.it.linak.ch

Taiwan

LINAK (Shenzhen) Actuator systems Ltd.
Taiwan Representative office
Phone: +886 2 272 90068
Fax: +886 2 272 90096
E-mail: sales@linak.com.tw
Web: www.linak.com.tw

Turkey

LINAK İth. İhr. San. ve Tic. A.Ş.
Phone: +90 312 4726338
Fax: +90 312 4726635
E-mail: info@linak.com.tr
Web: www.linak.com.tr

United Kingdom

LINAK UK Limited
Phone: +44 (0)121 544 2211
Fax: +44 (0)121 544 2552
E-mail: sales@linak.co.uk
Web: www.linak.co.uk

DISTRIBUTORS

Argentina

Novotec Argentina SRL
Phone: 011-4303-8989 / 8900
Fax: 011-4032-0184
E-mail: info@novotecargentina.com
Web: www.novotecargentina.com

Colombia

MEM Ltda
Phone: +[57] (1) 334-7666
Fax: +[57] (1) 282-1684
E-mail: servicioalcliente@memlda.com.co
Web: www.mem.net.co

India

Mechatronics Control Equipments India Pvt Ltd
Phone: +91-44-28558484, 85
E-mail: bala@mechatronicscontrol.com
Web: www.mechatronicscontrol.com

Indonesia

PT. Himalaya Everest Jaya
Phone: +6 221 544 8956 /+6 221 544 8965
Fax: +6 221 619 1925
Fax (Sales): +6 221 619 4658
E-mail: hejplastic-div@centrin.net.id
Web: www.hej.co.id

Israel

NetivTech LTD
Phone: +972 55-2266-535
Fax: +972 2-9900-560
Email: info@NetivTech.com
Web: www.netivtech.com

Singapore

Servo Dynamics Pte Ltd
Phone: +65 6844 0288
Fax: +65 6844 0070
E-mail: servodynamics@servo.com.sg

South Africa

Industrial Specialised Applications CC
Phone: +27 011 466 0346
E-mail: gartht@isagroup.co.za
Web: www.isaza.co.za

United Arab Emirates

Mechatronics
Phone: +971 4 267 4311
Fax: +971 4 267 4312
E-mail: mechtron@emirates.net.ae

Terms of use

LINAK® takes great care in providing accurate and up-to-date information on its products. However, the user is responsible for determining the suitability of LINAK products for a specific application. Due to continual development, LINAK products are subject to frequent modifications and changes. LINAK reserves the rights to conduct modifications, updates, and changes without any prior notice. For the same reason, LINAK cannot guarantee the correctness and actual status of imprinted information on its products.

LINAK uses its best efforts to fulfil orders. However, for the reasons mentioned above, LINAK cannot guarantee availability of any particular product at any given time. LINAK reserves the right to discontinue the sale of any product displayed on its website or listed in its catalogues or in other written material created and produced by LINAK, LINAK subsidiaries, or LINAK affiliates. All sales are subject to the 'Standard Terms of Sale and Delivery for LINAK A/S' available on LINAK websites. LINAK and the LINAK logotype are registered trademarks of LINAK A/S. All rights reserved.



WE IMPROVE YOUR LIFE