



# Desklift DB14 Data sheet

# Desklift DB14

---

The DB14 DESKLINE Built-in actuator sets the standards for inline actuators. The DB14 built-in actuator is specially designed for integration in a customised 3-part column, to achieve the optimum freedom of design for various desk applications. The compact design was developed to fulfil the market requirements for a low built-in dimension and at the same time a long stroke length. Furthermore, the compact design enables a very slim guidance design.

The DB14 system is controlled by a DESKLINE® control box (CBD). No matter which box is preferred, they all ensure optimal parallel drive and a pleasant low noise level. The DB14 can be used as a single column or in 2, 3 or 4 parallel systems. The parallel drive was constructed to compensate for an uneven load on the desk by means of the control box. The control box is designed with a soft start/stop function to ensure smooth drive.



---

## Features:

- Compact design where actuator function is an integrated unit
- Cable mounted on the DB14 for connection to CBD4/6S with a separate DESKLINE® motor cable
- Max. thrust 700 N per leg
- Max. speed 38 mm/s unloaded
- Standard installation dimension 508 mm
- Standard stroke length 660 mm
- Dimension of motor  $\varnothing$  48 mm
- Low noise level
- 2 x Hall sensor enabling parallel drive with CBD4/CBD6S
- Synchronous drive of the middle profile
- PVC free

## Usage:

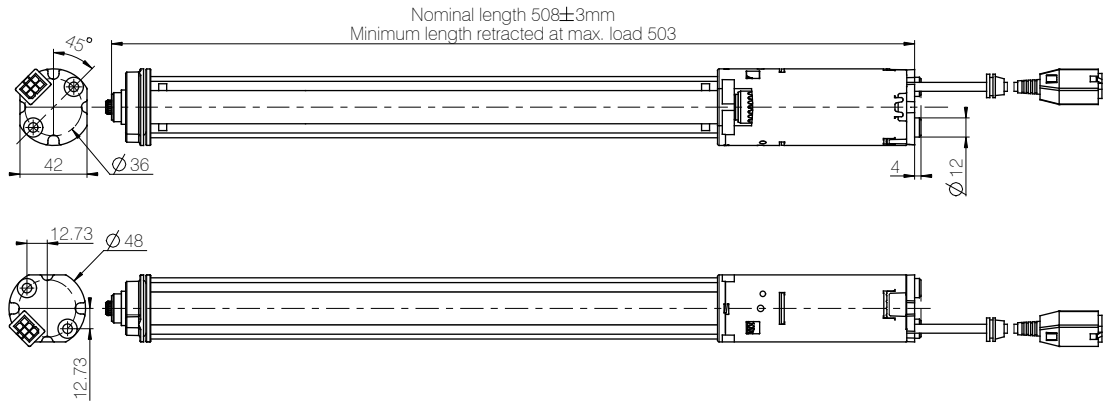
- Single or 2, 3, 4 parallel drive or even multi-parallel with up to 16 columns
- Duty cycle: 10% ~ 6 minutes per hour or 2 minutes of continuous use at full load
- Ambient temperature: +10° to +40° C
- Compatible with DESKLINE® control boxes and controls
- Will be approved according to EN 60335-1
- Will be approved according to UL962
- Storage and transport temperature: -10°C to +70°C

**Technical specifications:**

The following specification and curves applies for a DB14 mounted in a profile, like a DL, with max. 250N friction.

Type	Max. thrust pr. DB (N)	Self-lock pr. DB (N)	Speed at 0 load (mm/s)	Duty cycle (%)	Spindle pitch (mm)	Stroke length (mm)	Built-in length (mm)
DB14	700	700	38	10	20	660	508

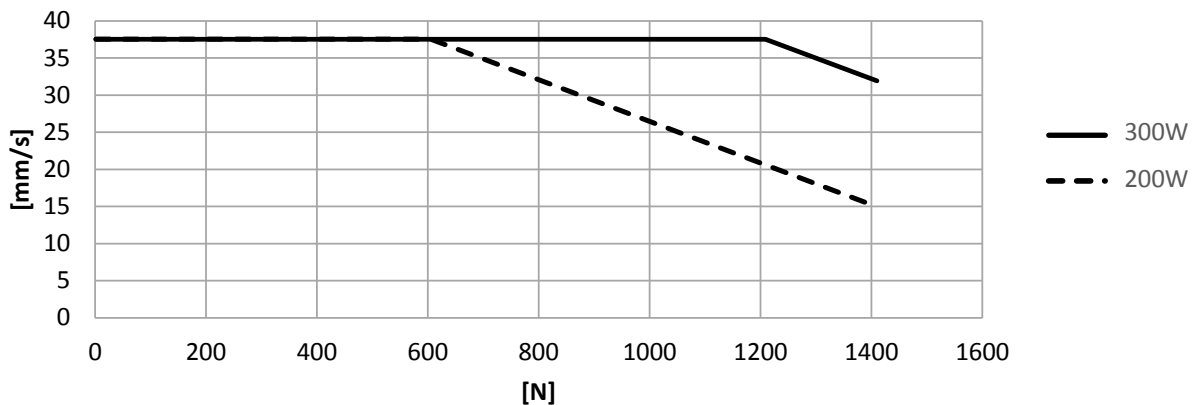
**Dimensions, standard DB14**



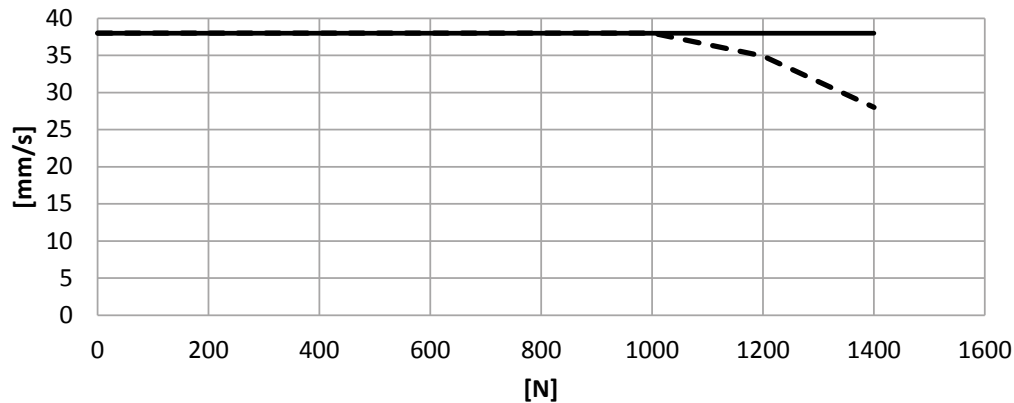
\* For drawings of the earlier versions, contact the DESKLINE® Technical Support.

**Curves:**

**2 x DB14 (equally loaded) with CBD4**



**2 x DB14 (equally loaded) with CBD6S**

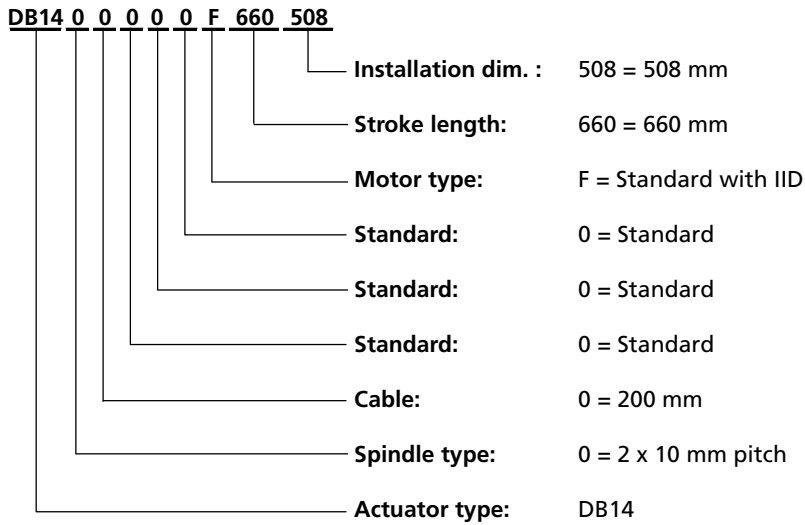


The above curve applies to a centrally placed load. With moment load there will be an increased friction in the columns, which will reduce the lifting force correspondingly.

Be aware that the DB14 DESKLINE® system may only be used in push applications.

**DB14**

**Ordering example:**



Be aware a standard DB14 is produced without PIEZO



Motor cables must be ordered separately.



Please notice the screws for mounting the DB14 in profiles must be ordered separately.

Description	Item number	Pcs. Pr. DB14	Bulk size
Self tapping screw for middle profile connector, torx 10	SA0002024	2 pcs	1000 pcs
Self tapping screw for motor, torx 20	SA0631210	2 pcs	1000 pcs
Rubber washer for self tapping screw for motor	SA0631211	2 pcs	1000 pcs
Screw for massive spindle, 5x10mm, torx 20, with thread lock	SA0002443	1 pcs	500 pcs

**Terms of use**

The user is responsible for determining the suitability of LINAK products for specific application. LINAK takes great care in providing accurate and up-to-date information on its products. However, due to continuous development in order to improve its products, LINAK products are subject to frequent modifications and changes without prior notice. Therefore, LINAK cannot guarantee the correct and actual status of said information on its products. While LINAK uses its best efforts to fulfill orders, LINAK cannot, for the same reasons as mentioned above, guarantee the availability of any particular product. Therefore, LINAK reserves the right to discontinue the sale of any product displayed on its website or listed in its catalogues or other written material drawn up by LINAK. All sales are subject to the Standard Terms of Sale and Delivery for LINAK. For a copy hereof, please contact LINAK.