



Lifting Column LP2 Data sheet

LP2

The LP2 range of vertical lifting columns is ideal where vertical positioning of substantial loads is required.

The design allows the LP2 range to be built in a complete motion control system simply by adding a suitable LINAK control box and handset.

Advanced design and high quality construction, the column is ideal for operation with up to a max. of 4 units and/or with a memory function.

The LP2 lifting column is the ideal choice for duties such as height adjustment on computer work stations, work benches or a wide selection of other duties.



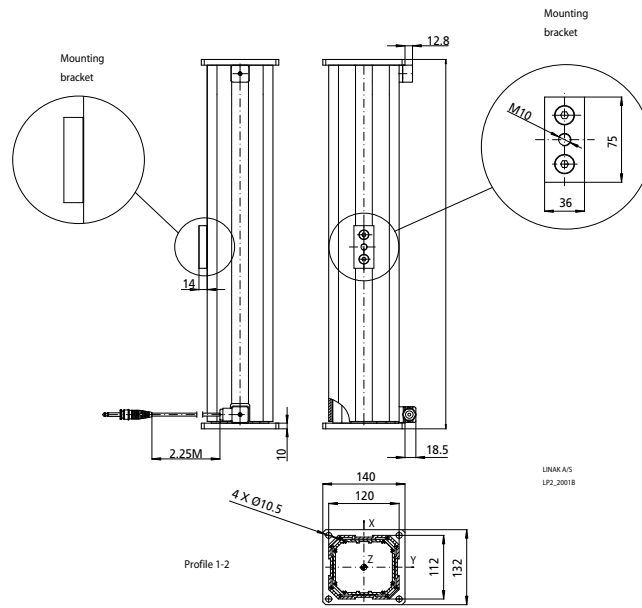
Features:

- LP2 is a specially designed telescopic aluminium lifting column incorporating a LINAK® 24 V DC linear actuator
- It is designed to provide vertical lifting (push only) where simultaneous bending and torsion moments may occur
- LP2 lifting columns are available in 2 versions, the LP2-2 (small column) and the LP2-5 (large column)
- Thrust up to 6300 N with gas spring (push only)
- In each end of the column there is a black painted steel plate, in which there are 4 holes for the fastening of the column
- Robust anodised aluminium surface
- Extremely low noise level
- Elegant and compact design
- Cable: black 2,4 m straight supply fitted with jack-plug
- Standard protection class: IPX1
- Ambient temperature +5°C to +40°C
- Colour: anodised aluminium
- Duty cycle: 2/18; 2 minutes continuous use followed by 18 minutes not in use.
- LP2 is compatible with CB8, CB12 or CB14

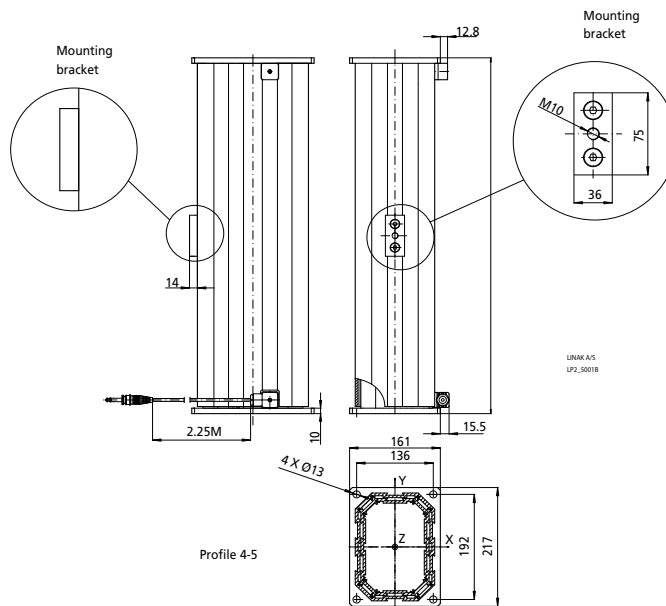
Options:

- Reed-switch (for parallel and memory functions)
- Safety nut
- Mounting bracket on the side of the column. (E.g.: control boxes can be fastened directly to the lifting column)
- Gas spring for increased lifting capacity (only LP2-5)

Dimensions: Profile 1-2



Dimensions: Profile 4-5



Technical specifications:

Type (Actuator type inside LP2)	Push max. (N)	Push max. with spring (N)	Typical speed at 0/full load (mm/s)	Typical amp. at 0/full load (24V)	Build-in "I" Stroke length "S"				Profile No.	Max. bending Moment* (static values)		
					(mm)					Mx (Nm)	My (Nm)	
LP2-2.1 (285xx0-xxxxx10x)	2600	-	9/6.2	1/4.4	I	405	505	630	670	1-2	700	550
					S	200	300	425	500			
LP2-2.2 (282xx0-4xxxx10x)	1600	-	21/13	1.5/4.4	I	405	505	630	670	1-2	700	550
					S	195B	295B	420B	465B			
LP2-5.1 (285xx0-xxxxx10x)	2600	3300	9/6.2	1/4.4	I	405	505	630	670	4-5	1600	1000
					S	200/200G	300/300G	425/425G	500/500G			
LP2-5.2 (301xx0-xxxxx40x)	3600	4300	6/5	1/4.5	I	405	505	630	670	4-5	1600	1000
					S	200/200G	300/300G	425/425G	500/500G			
LP2-5.3 (302xx0-xxxxx40x)	1600	2300	12/10.5	1/4	I	405	505	630	670	4-5	1600	1000
					S	200/195BG	300/295BG	425/420G	500/465BG			
LP2-5.4 (303xx0-4xxxx40x)(303xx0-5xxxx40x)	1000	-	18/15	1/4	I	405	505	630	670	4-5	1600	1000
					S	195B	295B	420B	465B			
LP2-5.5 (30Kxx0-xxxxx40x)	5600	6300	7/5	1.2/5	I	405	505	630	670	4-5	1600	1000
					S	150/150AS	250/250AS	400/400AS	400/400AS			
LP2-5.6 (282xx0-4xxxx10x)(282xx0-5xxxx10x)	1600	2300	21/13	1.6/4.4	I	405	505	630	670	4-5	1600	1000
					S	195BG	295BG	420BG	465BG			

B = Includes brake

G = Includes gas spring

AS = Stroke length for LP with KAS actuator

For more actuator information see the relevant actuator ordering example



Speed values: average values, measured with column and stable power supply, without gas spring mounted.

The speeds mentioned above are with load on the Z-axis of the LP.

The column can only be loaded with the maximum bending moment over the first 80% of the stroke.

Above this 80% figure, the maximum bending moment will be reduced to 50%.



The column must only be mounted with the largest profile uppermost.

Terms of use

The user is responsible for determining the suitability of LINAK products for specific application. LINAK takes great care in providing accurate and up-to-date information on its products. However, due to continuous development in order to improve its products, LINAK products are subject to frequent modifications and changes without prior notice. Therefore, LINAK cannot guarantee the correct and actual status of said information on its products. While LINAK uses its best efforts to fulfill orders, LINAK cannot, for the same reasons as mentioned above, guarantee the availability of any particular product. Therefore, LINAK reserves the right to discontinue the sale of any product displayed on its website or listed in its catalogues or other written material drawn up by LINAK. All sales are subject to the Standard Terms of Sale and Delivery for LINAK. For a copy hereof, please contact LINAK.