



Desklift DL61C Data sheet

DL6IC

The DESKLIFT™ DL6IC (Integrated Controller) is a compact 3-part lifting column, based on our well-known DL6 column. The DL6IC is a perfect choice for economy office desks only using 2 columns but needing the maximum adjustment range. The DL6IC system is a set consisting of a master column where the control PCB is built in and a slave column that is connected to the master column via a motor cable. The mains supply is an external SMPS (Switch Mode Power Supply) unit. A variety of Desk Panels can be used for adjusting the desk. For benching desk solutions, the column is available with a bench bracket.



Features:

- Compact design where guide and actuator function are an integrated unit
- Reinforced column and optimised motor housing design for extra strength and stability
- Max thrust 500 N per column
- Max speed: 38 mm/s
- Standard installation dimension: 560 mm
- Standard stroke length: 650 mm
- Dimensions column: 50 x 80 mm (outer profile), 43.5 x 73.5 mm (middle profile) and 37 x 67 mm (inner profile)
- Dimension motor housing: 177 x 97 x 46 mm (as DL5)
- Low noise level
- Bending moment: $M_y = \max 150 \text{ Nm}$ dynamic
- Colour: Available in black (RAL 9005), silver grey (RAL 9006) or white (RAL 9016)

Options:

- Bench bracket for benching desk solutions

Usage:

- 2 parallel drive with one DL6IC master and 1 DL6IC slave and external SMPS001 (230V), SMPS002 (120V) or SMPS006 (Universal)
- Duty cycle: 10% ~ 6 min. per hour or 2 min. continuous use at full load
- Ambient temperature: +10° to +40° C
- Compatible with DESKLINE® controls
- Compatible with the Kick & Click™ mounting solution
- Compatible with DESKLIFT™ Feet
- Approved according to EN 60335-1 and UL 962
- Storage and transport temperature: -10° C to +70° C

Technical specifications:

Type	Max thrust per DL (N)	Self-lock per DL (N)	Speed at 0 load (mm/s)	Duty cycle (%)	Spindle pitch (mm)	Stroke length (mm)	Built-in length (mm)
DL6IC	500	500	38	10	20	650	560

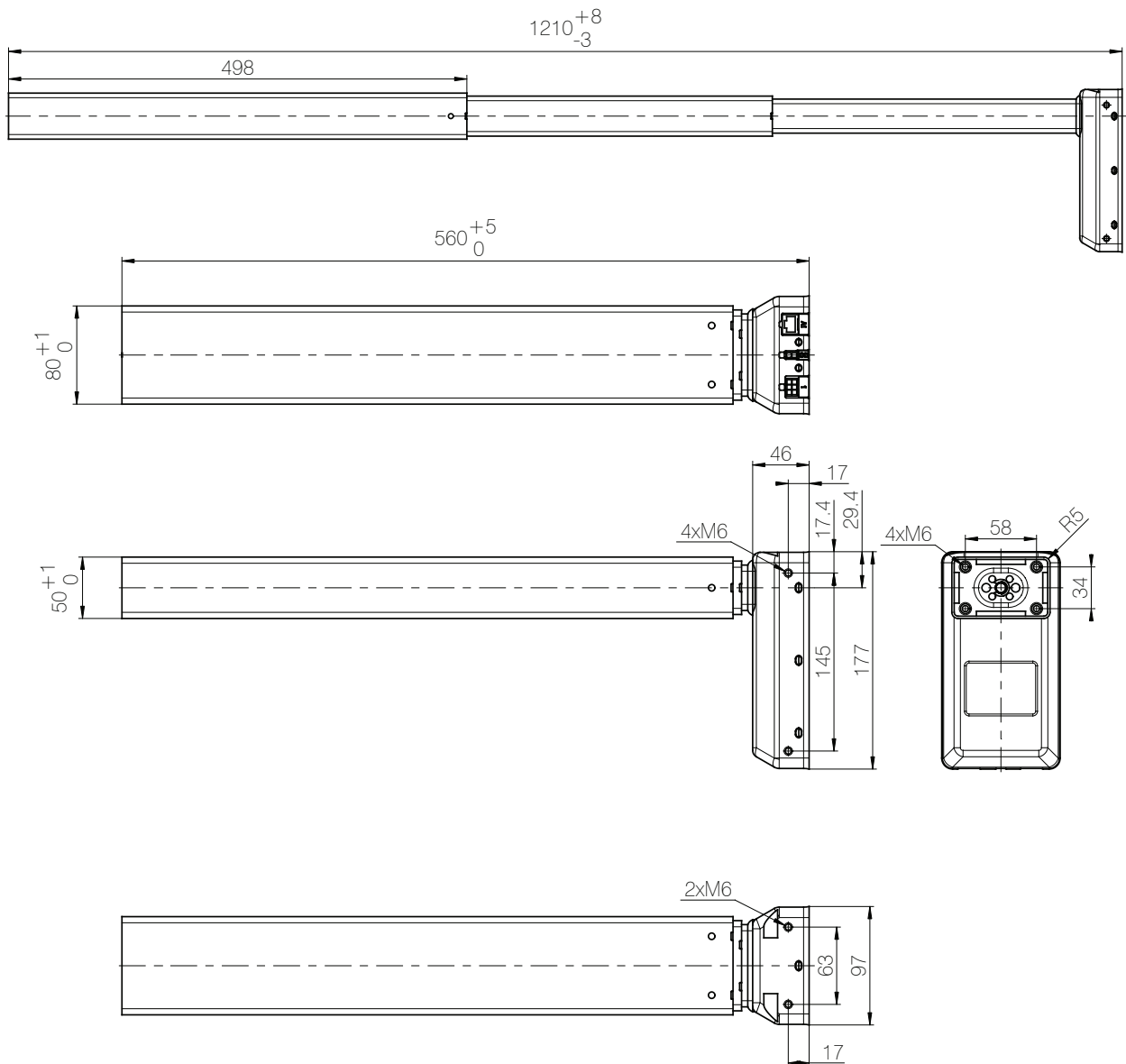
The measurements above are made in connection with the control box CBD4/CBD6S.

Dimensions:

At a fully retracted length of 560 mm and a stroke length of 650 mm, it is possible for a standard system to obtain an adjustment interval of the tabletop of e.g. 600 – 1250 mm. Thus, the desk can be used for sitting as well as for standing work.

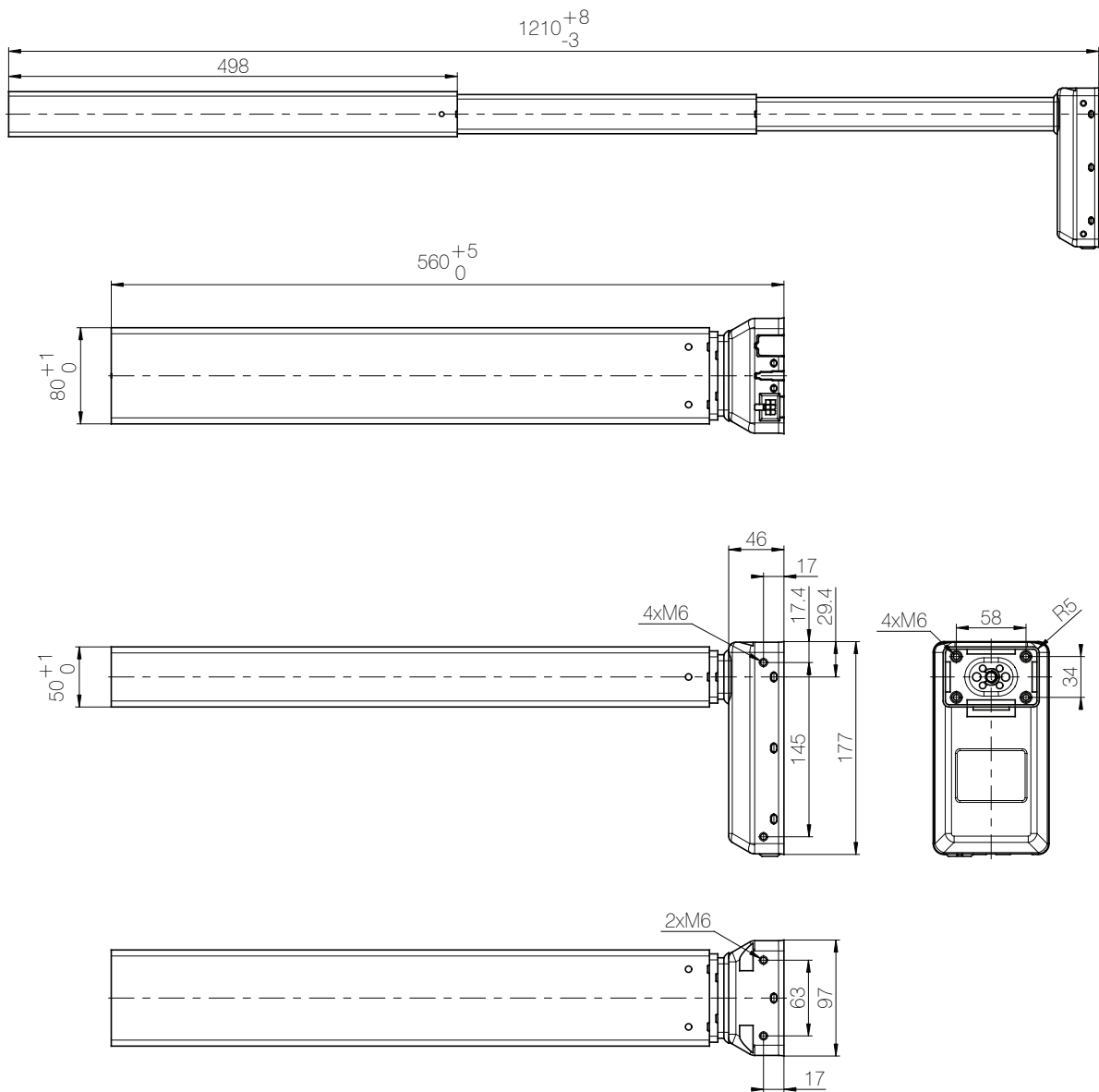
Dimensions DL6IC Master

Installation dimension 560 mm:

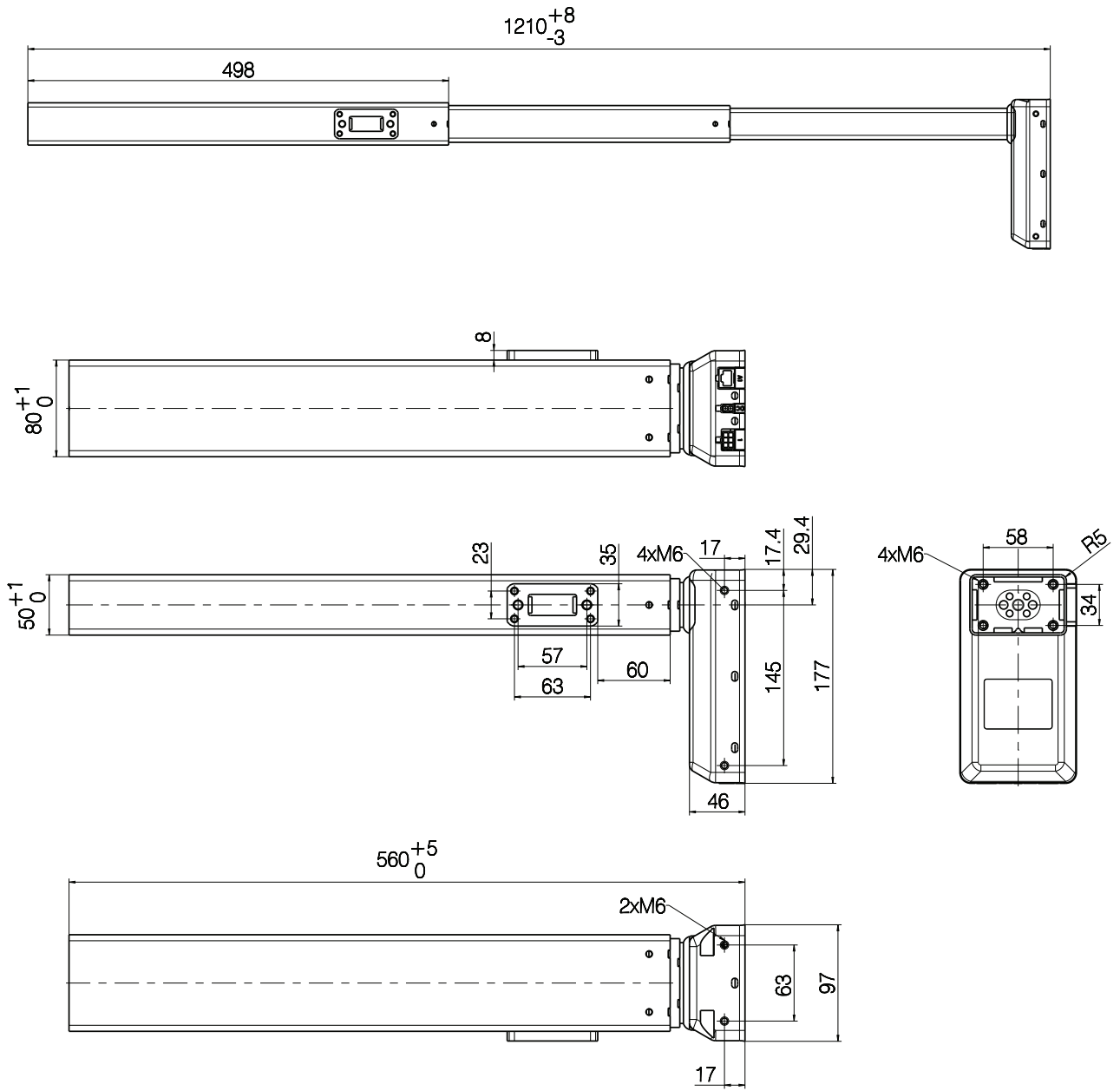


Dimensions DL61C Slave

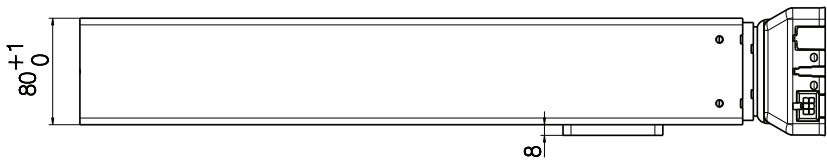
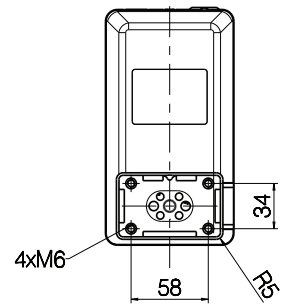
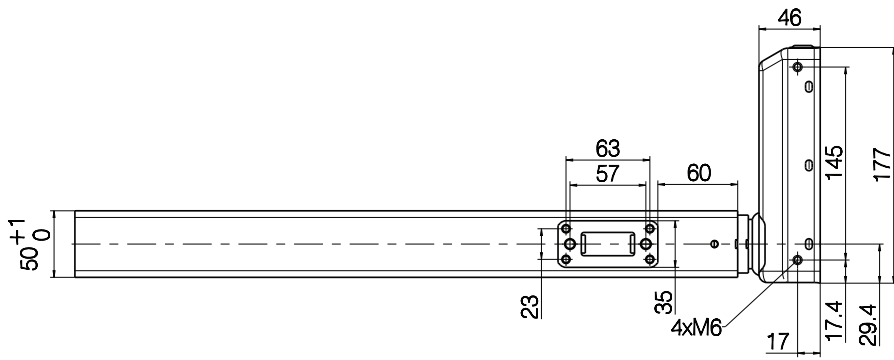
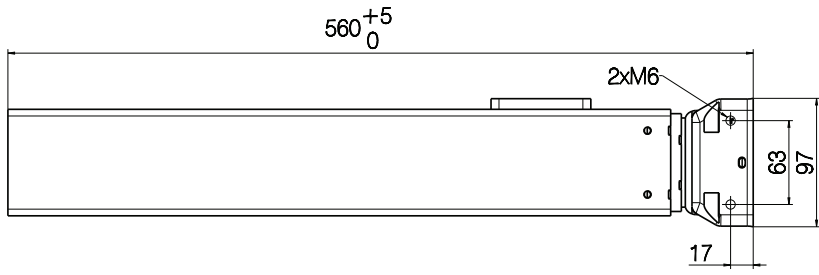
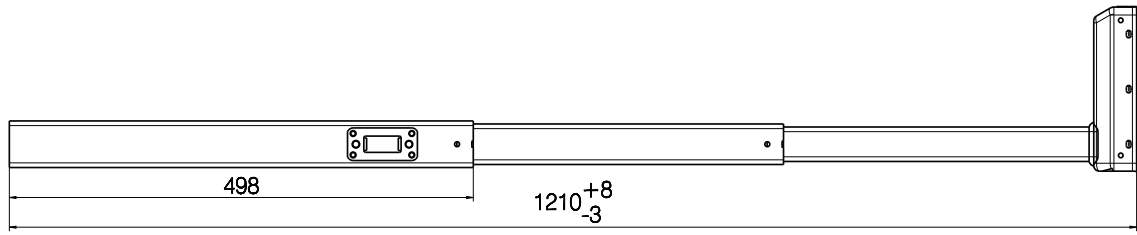
Installation dimension 560 mm:



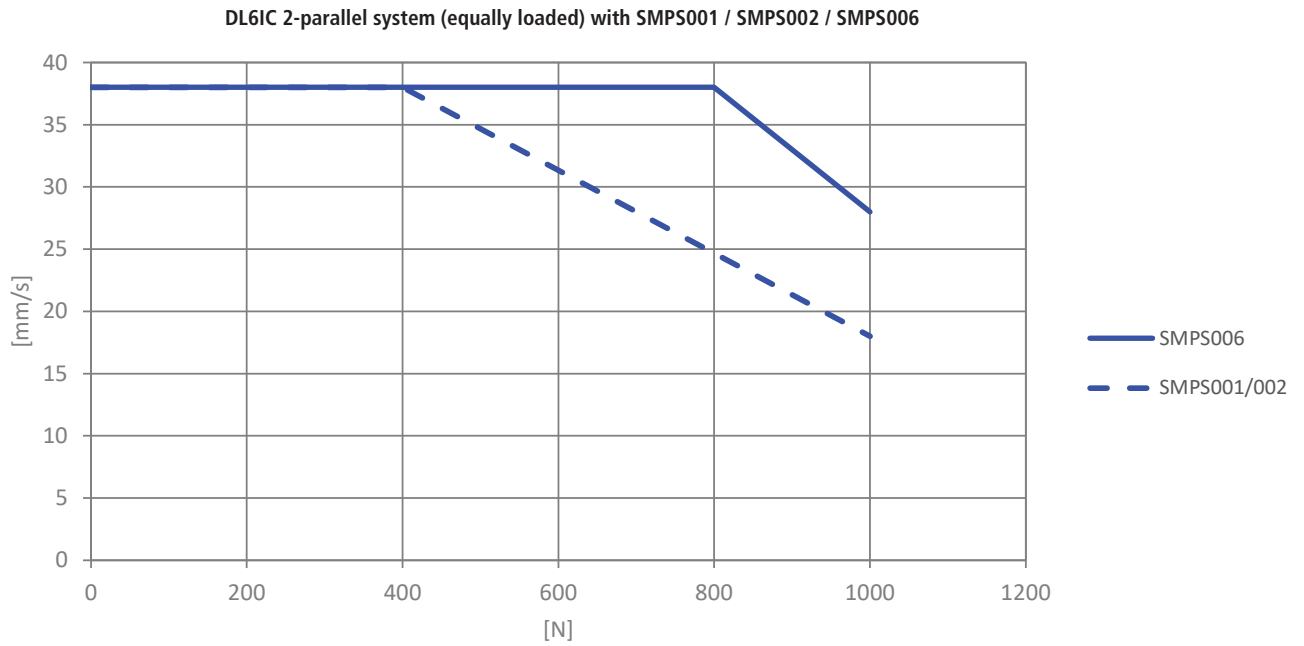
Dimensions DL61C with bench bracket (master)



Dimensions DL6IC with bench bracket (Slave)



Curves DL61C with SMPS001/002/006



The above data are measured in connection with 2 x DL61C lifting units and SMPS001/002/006.



The above curves apply to a centrally placed load. With moment load the friction in the columns will be increased, which will reduce the lifting force correspondingly.



The end-stop system in the DL61C is based on a buffer system meaning that you must be aware of the lengths when initialising. The products must be able to drive:

- Inward direction: built-in dimension - tolerances - 5 mm
- Outward direction: built-in dimension + stroke length + tolerances + 5 mm

DL61C

Ordering example:

DL6	0	0	0	B	N	M	650	560	
									Installation dim. : 560 = 560 mm
									Stroke length: 650 = 650 mm
									Motor type: M = IC Master S = IC Slave
									Option: N = No Crossbar
									Colour: A = Grey (RAL 9006) Gloss 30 B = Black (RAL 9005) Gloss 30 D = White (RAL 9016) Gloss 30
									Mounting bracket: 0 = None L = bench bracket on left narrow side (Slave) R = bench bracket on right narrow side (Master)
									Option: 0 = Standard
									Spindle type: 0 = 20 mm pitch (Standard)
									Actuator type: DL6



All cables for creating a fully connected DESKLINE system must be ordered separately. We offer a range of different versions, for more information as ordering number and length of the cables please contact your local LINAK.



Please observe that the item numbers will be created so that the master column will be on the right side and the slave column will be on the left side of the desk, seen from the position of the user.

Terms of use

The user is responsible for determining the suitability of LINAK products for specific application. LINAK takes great care in providing accurate and up-to-date information on its products.

However, due to continuous development in order to improve its products, LINAK products are subject to frequent modifications and changes without prior notice. Therefore, LINAK cannot guarantee the correct and actual status of said information on its products.

While LINAK uses its best efforts to fulfill orders, LINAK cannot, for the same reasons as mentioned above, guarantee the availability of any particular product. Therefore, LINAK reserves the right to discontinue the sale of any product displayed on its website or listed in its catalogues or other written material drawn up by LINAK.

All sales are subject to the Standard Terms of Sale and Delivery for LINAK. For a copy hereof, please contact LINAK.