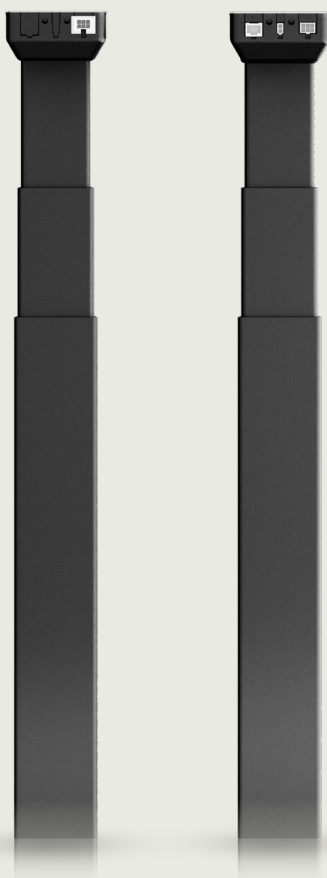


DESKLIFT™ DL6 IC

Data Sheet





The DESKLIFT™ DL6 IC (Integrated Controller) is a compact three-part lifting column, based on our well-known DL6 column. The DL6 IC is a perfect choice for adjustable economy office desks only using two columns but needing the maximum adjustment range. The DL6 IC has a compact motor housing, which is almost invisible in the tabletop construction, and the column is very sturdy. The DL6 IC has the same outer dimensions (50 x 80 mm) and mounting holes as the two-part DL5 IC column, which makes them fit the same top frame and foot constructions, including the Kick & Click™ top frame. The DL6 IC column is available in three standard colours (black, grey and white) - and can optionally be delivered in other colours.

The DL6 IC product programme offers various options such as:

- PLUS™ - a design-optimised version
- PLUS™ versions prepared for Click-on Feet
- versions for bench solutions

An IC system consists of two columns, a control column and a companion column connected via a motor cable. The control column has a built-in control PCB; thus, no separate control box must be mounted in an IC system. The mains supply is an external SMPS (Switch Mode Power Supply) unit, and a variety of desk panels can be used for adjusting the desk. A Desk Sensor™ 1 anti-collision dongle can be added to the system to limit material damage to a desk or an object in case a collision occurs during driving of the desk.

Features/Options/Compatibility/Usage

Features

- Three-part motor-housing column
- In combination with SMPS:

Parameter	With SPMS001 / SMPS002 / SMPS006 / SMPS007
Max. speed (unloaded)	38 mm/s
Max. load (per column)	500 N
Self-lock (per column)	500 N

- Installation dimension: 560 mm
518 mm (BIFMA)
- Stroke length: 650 mm
665 mm (BIFMA)
- Weight: Approximately 7.5 kg per column
- Dimensions column: 50 x 80 mm (see also [Dimension drawings](#))
- Dimension motor housing: 177 x 97 x 46 mm
- Four M6 and two M8 threaded holes in bottom plate for mounting of feet
- Colour: Available in black (RAL 9005), silver grey (RAL 9006) or white (RAL 9016)
- Low sound level

Options

- PLUS™: No visible gliding pads and a smooth outer profile with no punch marks
- Available with bench bracket (two versions) and with mounting bracket for a crossbar, see [Dimension drawings](#)
- Customised colours
- Available as DESKLIFT™ SetPack

Compatibility

- DESKLINE® controls
- Battery Box BA001
- Kick & Click™ top frame
- DESKLIFT™ Feet, including Click-on Feet

Usage

- 2 parallel drive with one D6 IC Control, one DL IC Companion, and an external power supply (SMPS001 (230 V), SMPS002 (120 V), SMPS006 (Universal), or SMPS007 (120 V))
- Duty cycle: 10 % \approx 2 minutes continuous use at full load, followed by 18 minutes pause
- For indoor use in dry locations

Parameter	Operation	Storage and transportation
Temperature	10 to 40 °C	-10 to +50 °C
Relative humidity	20% to 80% - non-condensing	20% to 80% - non-condensing
Atmospheric pressure	800 to 1060 hPa	700 to 1060 hPa
Altitude	Max. 2000 m	N/A

- System compliance, see the Declaration of Conformity in the [User Manual](#).



Be aware that when a desk panel DP1CS, DPF1C, DPF1D, or DPT is used, the light intensity must be configured to 50% before use.

Ordering

DL6		
SPINDLE TYPE	0	0 = 20 mm pitch
OPTION	0	0 = Standard
MOUNTING BRACKET	0	0 = None 1 = 120 x 40 x 8 mm (with 2 x M8) L = Bench bracket on left narrow side (Companion) R = Bench bracket on right narrow side (Control) V = Bench bracket on left narrow side (Companion) * H = Bench bracket on right narrow side (Control) *
COLOUR	B	A = Grey (RAL 9006) B = Black (RAL 9005) D = White (RAL 9016)
OPTION	N	N = Standard P = PLUS series Z = Prepared for Click-on Foot **
MOTOR TYPE	M	M = IC Control S = IC Companion
STROKE LENGTH	650	650 = 650 mm 665 = 665 mm (BIFMA)
INSTALLATION DIM.	560	560 = 560 mm 518 = 518 mm (BIFMA)
DL6000BNM650560		

*: Columns with bench bracket compatible with the LINAK cross member set for a complete bench solution. Cross members must be ordered separately



All cables for creating a fully connected DESKLINE® system must be ordered separately. We offer a range of different versions and lengths. To get information such as ordering number, and colour and length of the cables, please contact your local LINAK.



Please observe that the item numbers for columns with bench bracket will be created so that the control column will be on the right and the companion column on the left side of the desk, seen from the position of the user.



A column in BIFMA version is less stable in the full stroke length compared to a standard column as it has less overlap between the profiles.

Technical data

Performance curves

The data below is measured in connection with two IC lifting columns and SMPS001/002/006/007. The desk is driving upwards.



The curves below apply to a centrally placed load. With moment load, there will be increased friction in the columns, which will reduce the lifting force.

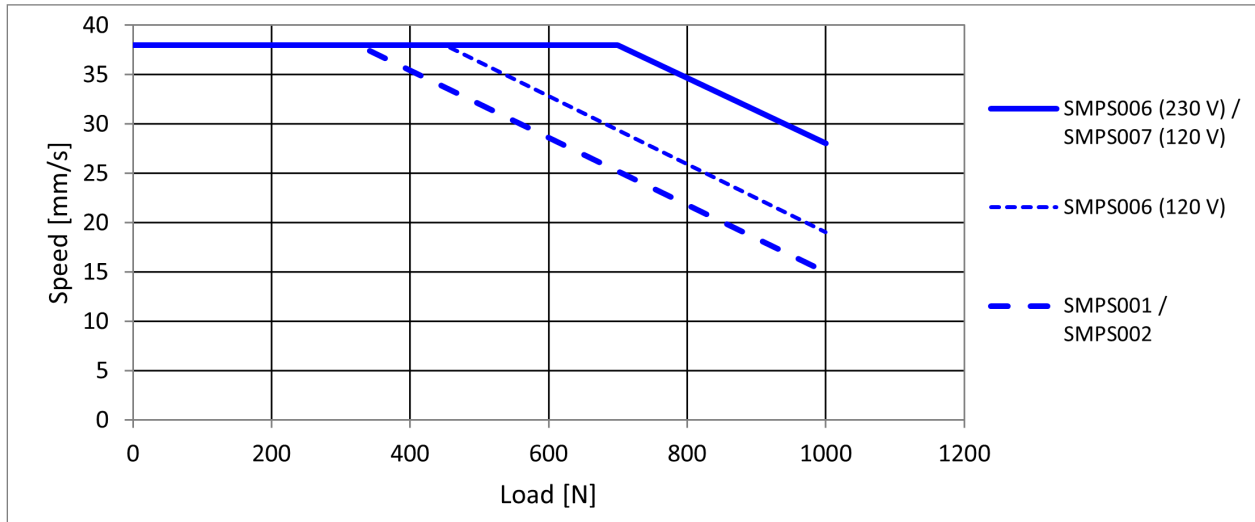


Figure 1 Two IC columns (equally loaded) with SMPS001/002/006/007



The end-stop system in the IC column is based on a buffer system, meaning that you must be aware of the lengths when initialising. The products must be able to drive:

Inward direction: Installation dimension - tolerances - 5 mm

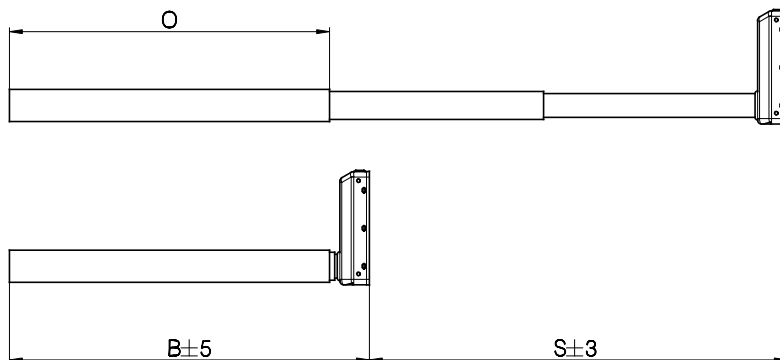
Outward direction: Installation dimension + stroke length + tolerances + 5 mm

Dimension drawings



All dimensions are in mm.

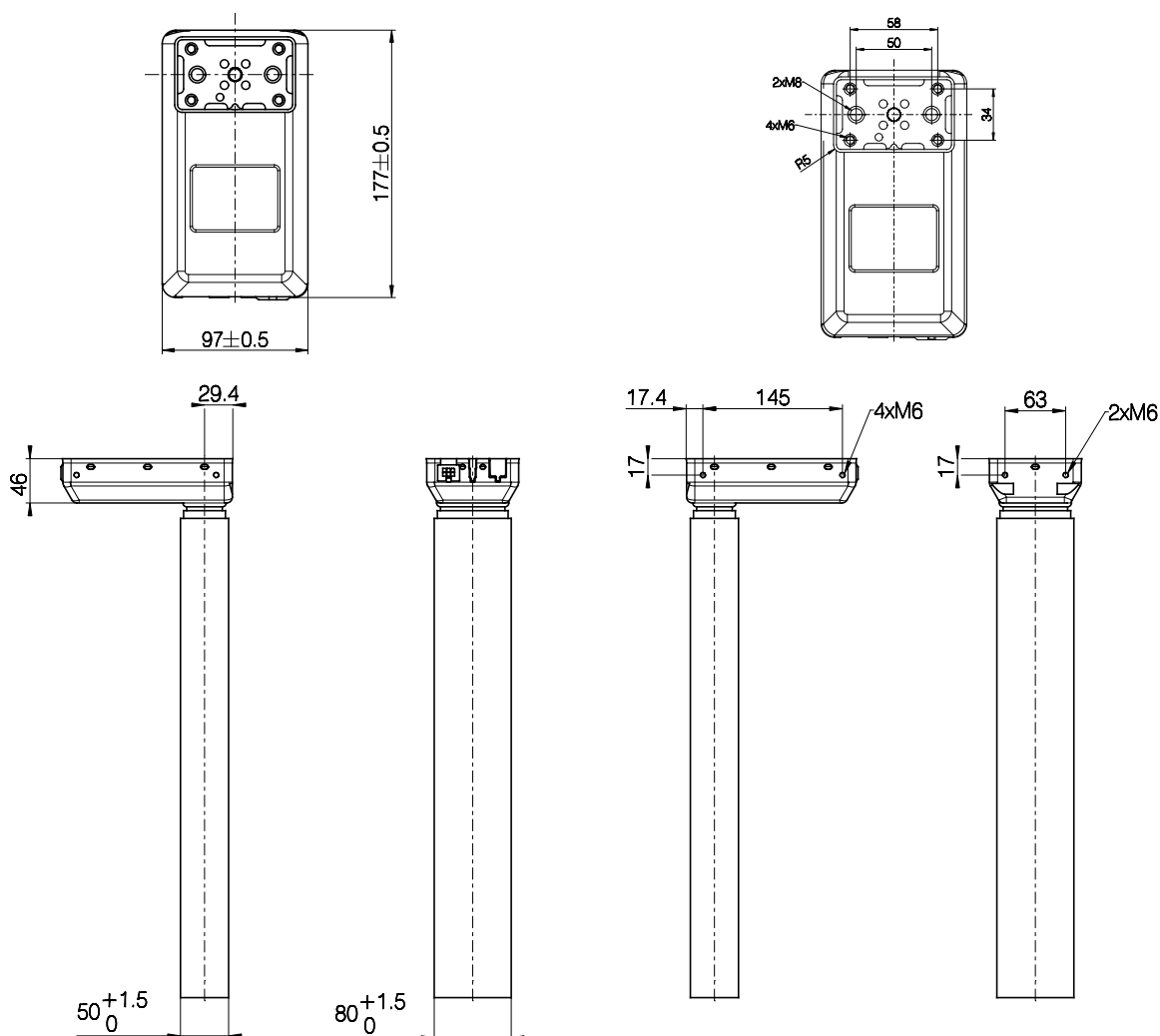
Columns



Drawing no. 1041W7906

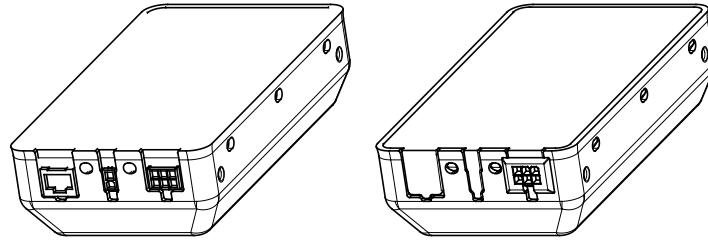
Version	Combination code	B (Built-in length) [mm]	S (Stroke length) [mm]	O (Outer profile length) [mm]
EU	DL6xxxxx650560	560	650	498
BIFMA	DL6xxxxx665518	518	665	456

Figure 2 Built-in length, stroke length, and outer profile length



Drawing no. 1041W7906

Figure 3 Motor-housing, bottom plate, and profile dimensions



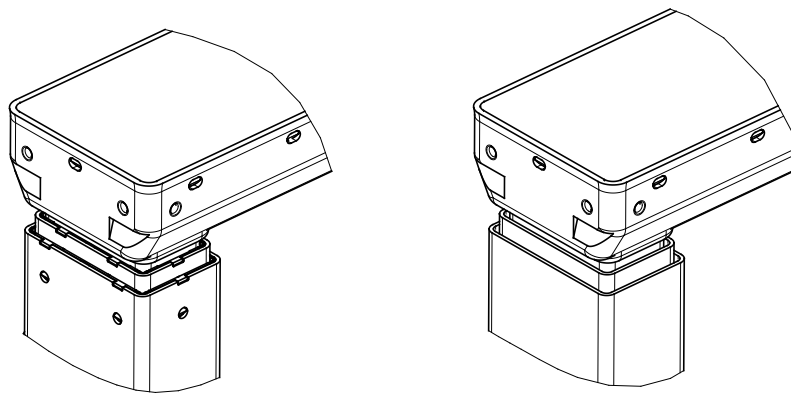
IC Control

IC Companion

Drawing no. 1041W7906

Combination code	Type
DL6xxxxMxxxxx	IC Control
DL6xxxxSxxxxx	IC Companion

Figure 4 Socket combination



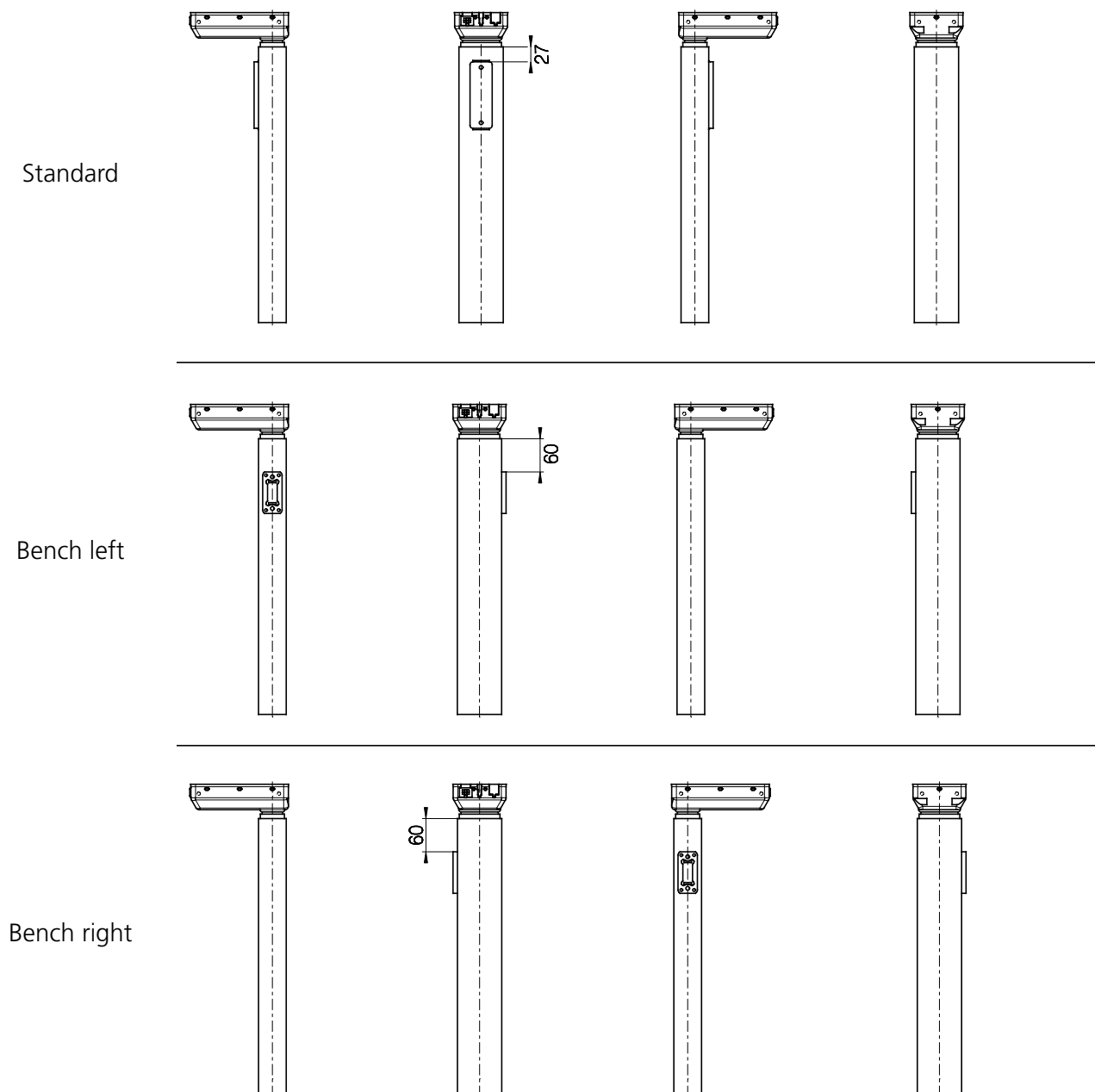
Standard

PLUS™

Drawing no. 1041W7906

Figure 5 Profile designs

Bracket options

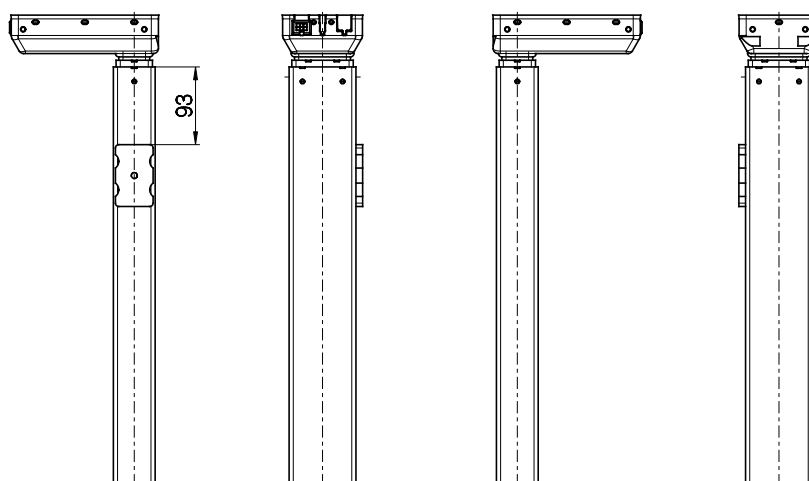


Drawing no. 1041W7906

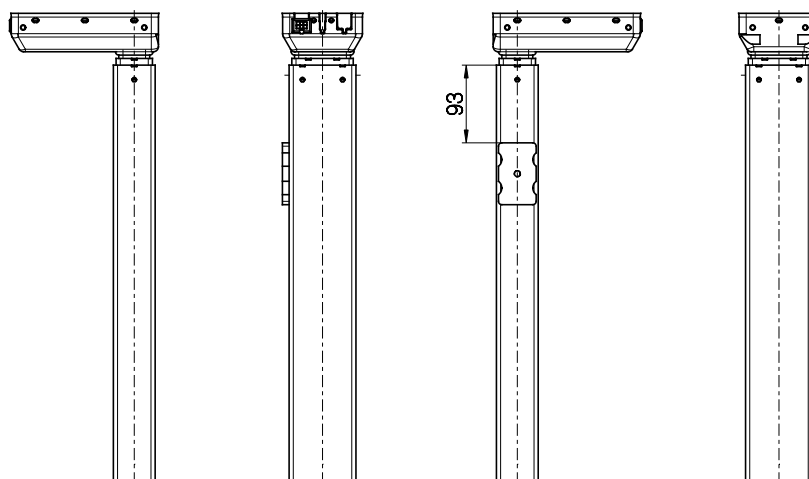
Combination code	Std bracket	Bench left	Bench right
DL6xx1xxxxxxxx	X		
DL6xxLxxSxxxxxx		X	
DL6xxRxxMxxxxxx			X

Figure 6 Bracket options (types standard, L and R)

DESKLINE Bench left



DESKLINE Bench right



Drawing no. 1041W7906

Combination code	DESKLINE Bench left	DESKLINE Bench right
DL6xxVxPSxxxxxx	X	
DL6xxHxPMxxxxxx		X

Figure 7 DESKLINE Bench bracket options (types V and H)
(compatible with LINAK cross members)

Brackets

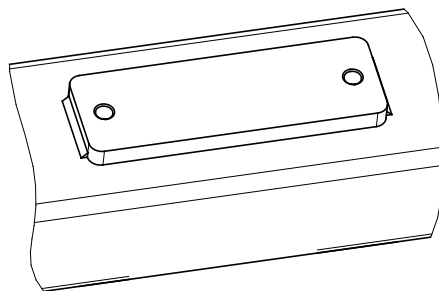


Figure 8 Standard bracket

Drawing no. 102417906

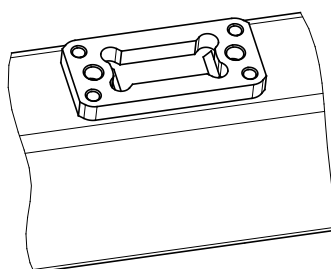


Figure 9 Bench bracket (type L and R)

Drawing no. 1041W7906

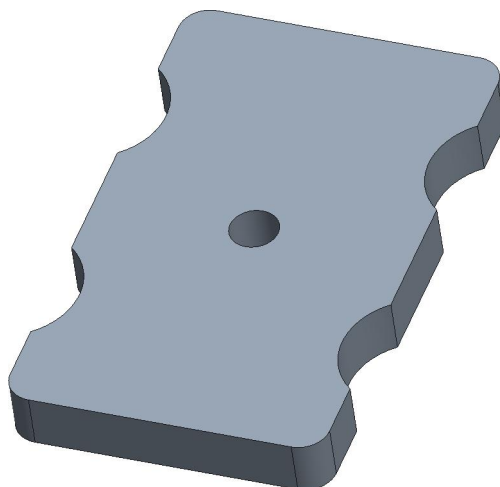


Figure 10 Bench bracket (type V and H) - compatible with LINAK cross members

Drawing no. 1066W4062

Cross members

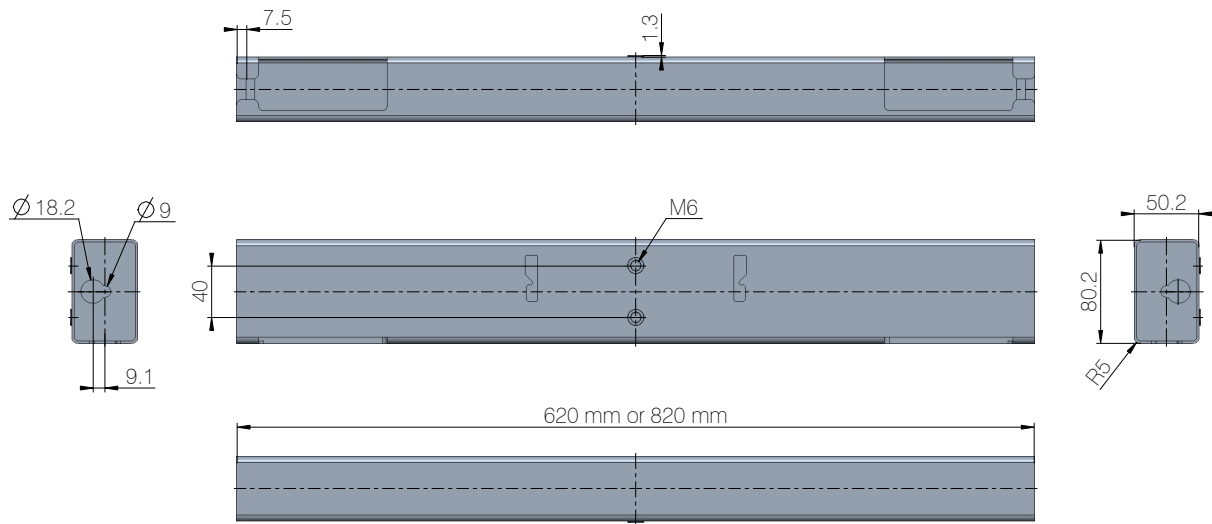


Figure 11 Cross member dimensions

Drawing no. 1066W4030

Contacts

FACTORIES

Denmark - Headquarters
LINAK A/S
Phone: +45 73 15 15 15
Fax: +45 74 45 80 48
Fax (Sales): +45 73 15 16 13
Web: www.linak.com

China
LINAK (Shenzhen) Actuator Systems, Ltd.
Phone: +86 755 8610 6656
Phone: +86 755 8610 6990
Web: www.linak.cn

Slovakia
LINAK Slovakia s.r.o.
Phone: +421 51 7563 444
Web: www.linak.sk

Thailand
LINAK APAC Ltd.
Phone: +66 33 265 400
Web: www.linak.com

USA
LINAK U.S. Inc.
Americas Headquarters
Phone: +1 502 253 5595
Fax: +1 502 253 5596
Web: www.linak-us.com
www.linak-latinamerica.com

SUBSIDIARIES

Australia
LINAK Australia Pty. Ltd
Phone: +61 3 8796 9777
Fax: +61 3 8796 9778
E-mail: sales@linak.com.au
Web: www.linak.com.au

Austria
LINAK Zweigniederlassung - Österreich (Wien)
Phone: +43 (1) 890 7446
Fax: +43 (1) 890 744615
E-mail: info@linak.de
Web: www.linak.at - www.linak.hu

Belgium
LINAK Actuator-Systems NV/SA
(Belgium & Luxembourg)
Phone: +32 (0)9 230 01 09
E-mail: beinfo@linak.be
Web: www.linak.be - www.fr.linak.be

Brazil
LINAK Do Brasil Comércio De Atuadores Ltda.
Phone: +55 (11) 2832 7070
Fax: +55 (11) 2832 7060
E-mail: info@linak.com.br
Web: www.linak.com.br

Canada
LINAK Canada Inc.
Phone: +1 502 253 5595
Fax: +1 416 255 7720
E-mail: info@linak.ca
Web: www.linak-us.com

Czech Republic
LINAK C&S s.r.o.
Phone: +42 058 174 1814
Fax: +42 058 170 2452
E-mail: info@linak.cz
Web: www.linak.cz - www.linak.sk

Denmark - International
LINAK International
Phone: +45 73 15 15 15
E-mail: info@linak.com
Web: www.linak.com

Denmark - Sales
LINAK Danmark A/S
Phone: +45 86 80 36 11
Fax: +45 86 82 90 51
E-mail: linak@linak-silkeborg.dk
Web: www.linak.dk

Finland
LINAK OY
Phone: +358 10 841 8700
E-mail: linak@linak.fi
Web: www.linak.fi

France
LINAK France E.U.R.L.
Phone: +33 (0) 2 41 36 34 34
Fax: +33 (0) 2 41 36 35 00
E-mail: linak@linak.fr
Web: www.linak.fr

Germany
LINAK GmbH
Phone: +49 6043 9655 0
Fax: +49 6043 9655 60
E-mail: info@linak.de
Web: www.linak.de

India
LINAK A/S India Liaison Office
Phone: +91 120 4531797
Fax: +91 120 4786428
E-mail: info@linak.in
Web: www.linak.in

Italy
LINAK ITALIA S.r.l.
Phone: +39 02 48 46 33 66
Fax: +39 02 48 46 82 52
E-mail: info@linak.it
Web: www.linak.it

Japan
LINAK K.K.
Phone: 81-45-533-0802
Fax: 81-45-533-0803
E-mail: linak@linak.jp
Web: www.linak.jp

Malaysia
LINAK Actuators Sdn. Bhd.
Phone: +60 4 210 6500
Fax: +60 4 226 8901
E-mail: info@linak-asia.com
Web: www.linak.my

Netherlands
LINAK Actuator-Systems B.V.
Phone: +31 76 5 42 44 40 /
+31 76 200 11 10
E-mail: info@linak.nl
Web: www.linak.nl

New Zealand
LINAK New Zealand Ltd
Phone: +64 9580 2071
Fax: +64 9580 2072
E-mail: nzsales@linak.com.au
Web: www.linak.com.au

Norway
LINAK Norge AS
Phone: +47 32 82 90 90
E-mail: info@linak.no
Web: www.linak.no

Poland
LINAK Polska
LINAK Danmark A/S (Spółka Akcyjna)
Phone: +48 22 295 09 70 /
+48 22 295 09 71
E-mail: info@linak.pl
Web: www.linak.pl

Republic of Korea
LINAK Korea Ltd.
Phone: +82 2 6231 1515
Fax: +82 2 6231 1516
E-mail: info@linak.kr
Web: www.linak.kr

Slovakia
LINAK Slovakia S.R.O.
Phone: +421 51 7563 444
Web: www.linak.sk

Spain
LINAK Actuadores, S.L.U
Phone: +34 93 588 27 77
Fax: +34 93 588 27 85
E-mail: esma@linak.es
Web: www.linak.es

Sweden
LINAK Scandinavia AB
Phone: +46 8 732 20 00
Fax: +46 8 732 20 50
E-mail: info@linak.se
Web: www.linak.se

Switzerland
LINAK AG
Phone: +41 43 388 31 88
Fax: +41 43 388 31 87
E-mail: info@linak.ch
Web: www.linak.ch - www.fr.linak.ch
www.it.linak.ch

Taiwan
LINAK (Shenzhen) Actuator systems Ltd.
Taiwan Representative office
Phone: +886 2 272 90068
Fax: +886 2 272 90096
E-mail: sales@linak.com.tw
Web: www.linak.com.tw

Turkey
LINAK İth. İhr. San. ve Tic. A.Ş.
Phone: +90 312 4726338
Fax: +90 312 4726635
E-mail: info@linak.com.tr
Web: www.linak.com.tr

United Kingdom & Ireland
LINAK UK Limited
Phone: +44 (0)121 544 2211
Fax: +44 (0)121 544 2552
E-mail: sales@linak.co.uk
Web: www.linak.co.uk

DISTRIBUTORS

Argentina
Novotec Argentina SRL
Phone: 011-4303-8989 / 8900
Fax: 011-4032-0184
E-mail: info@novotecargentina.com
Web: www.novotecargentina.com

Colombia
MEM Ltda
Phone: +[57] (1) 334-7666
Fax: +[57] (1) 282-1684
E-mail: servicioalcliente@memlda.com.co
Web: www.mem.net.co

India
Mechatronics Control Equipments India Pvt Ltd
Phone: +91-44-28558484, 85
E-mail: bala@mechatronicscontrol.com
Web: www.mechatronicscontrol.com

Indonesia
PT. Himalaya Everest Jaya
Phone: +6 221 544 8956 /+6 221 544 8965
Fax: +6 221 619 1925
Fax (Sales): +6 221 619 4658
E-mail: hejplastic-div@centrin.net.id
Web: www.hej.co.id

Israel
NetivTech LTD
Phone: +972 55-2266-535
Fax: +972 2-9900-560
Email: info@NetivTech.com
Web: www.netivtech.com

Singapore
Servo Dynamics Pte Ltd
Phone: +65 6844 0288
Fax: +65 6844 0070
E-mail: servodynamics@servo.com.sg

South Africa
Industrial Specialised Applications CC
Phone: +27 011 466 0346
E-mail: gartht@isagroup.co.za
Web: www.isaza.co.za

United Arab Emirates
Mechatronics
Phone: +971 4 267 4311
Fax: +971 4 267 4312
E-mail: mechtron@emirates.net.ae

Terms of use

LINAK® takes great care in providing accurate and up-to-date information on its products. However, the user is responsible for determining the suitability of LINAK products for a specific application. Due to continual development, LINAK products are subject to frequent modifications and changes. LINAK reserves the rights to conduct modifications, updates, and changes without any prior notice. For the same reason, LINAK cannot guarantee the correctness and actual status of imprinted information on its products.

LINAK uses its best efforts to fulfil orders. However, for the reasons mentioned above, LINAK cannot guarantee availability of any particular product at any given time. LINAK reserves the right to discontinue the sale of any product displayed on its website or listed in its catalogues or in other written material created and produced by LINAK, LINAK subsidiaries, or LINAK affiliates. All sales are subject to the 'Standard Terms of Sale and Delivery for LINAK A/S' available on LINAK websites. LINAK and the LINAK logotype are registered trademarks of LINAK A/S. All rights reserved.