



DESKLIFT™ DL6
Data sheet

DESKLIFT™ DL6

The DESKLIFT™ DL6 is a compact 3-part lifting column, which is a perfect choice for a wide range of different desk applications ranging from industry to office desks. The 3-part construction ensures a short installation dimension combined with a long stroke length making the DL6 an optimum choice no matter the height of the person using the desk is. The middle profile of the DL6 moves synchronously, so the legs are always in the same height, thus optimising the desk design. The DL6 has a compact motor housing, which is almost invisible in the tabletop construction and the column is very sturdy so in many applications a crossbar is not necessary. The DL6 has the same outer dimensions and mounting holes as the 2-part DL5 column, which makes them compatible. Therefore, they can be used in the same tabletop and table foot construction. The DL6 is available in several standard colours to fit into a wide range of desk designs. Optional PIEZO™ (collision protection) can be chosen. PIEZO minimises the risk for damages on a desk caused by collision with an obstacle.

The DL6 system is controlled by a DESKLINE® control box (CBD). No matter which box is preferred, they all ensure optimal parallel drive and a pleasant low noise level. The DL6 can be used as a single column or in 2, 3 or 4 parallel systems.



Features:

- Compact design where guide and actuator functions are an integrated unit
- Reinforced column and optimised motor housing design for extra strength and stability
- Plug mounted on the DL6 for connection to the CBD with a separate DESKLINE® motor cable
- Max. thrust 1200 N per column
- Max. speed 38 mm/s unloaded
- Standard installation dimension 560 mm
- Standard stroke length 650 mm
- Weight: 7.8 kg pr. column (DL6000BNE650560)
- Dimensions column: 50 x 80 mm (outer profile), 43.5 x 73.5 mm (middle profile) and 37 x 67 mm (inner profile)
- Dimension motor housing: 177 x 97 x 46 mm (as DL5)
- Bending moment: $M_y = \max. 150 \text{ Nm}$ dynamic
- Colour: all parts black (RAL 9005), all parts silver grey (RAL 9006) or all parts white (RAL 9016)
- Mounting bracket for a crossbar in a parallel system (40 x 120 mm)
- Low noise level
- Bench bracket for bench solutions

Options:

- 1200 N load ensured by a 12 mm pitch
- PIEZO™: Integrated sensor minimising the risk for damages on a desk caused by squeezing or blocking it in upward or downward direction
- Compatible with the Kick & Click™ mounting solution
- Compatible with DESKLIFT™ Feet
- Available as DESKLIFT™ Setpack

Usage:

- Single or 2, 3 or 4 parallel drive or even multi-parallel with up to 16 columns
- Duty cycle: 10 % ~ 2 minutes of continuous use at full load, followed by 18 minutes of pause
- Ambient temperature: +10° to +40 °C
- Compatible with DESKLINE® control boxes and all DESKLINE® controls
- Approved in accordance with EN 60335-1 and UL 962
- Storage and transport temperature: -10°C to +70°C

Technical specifications:

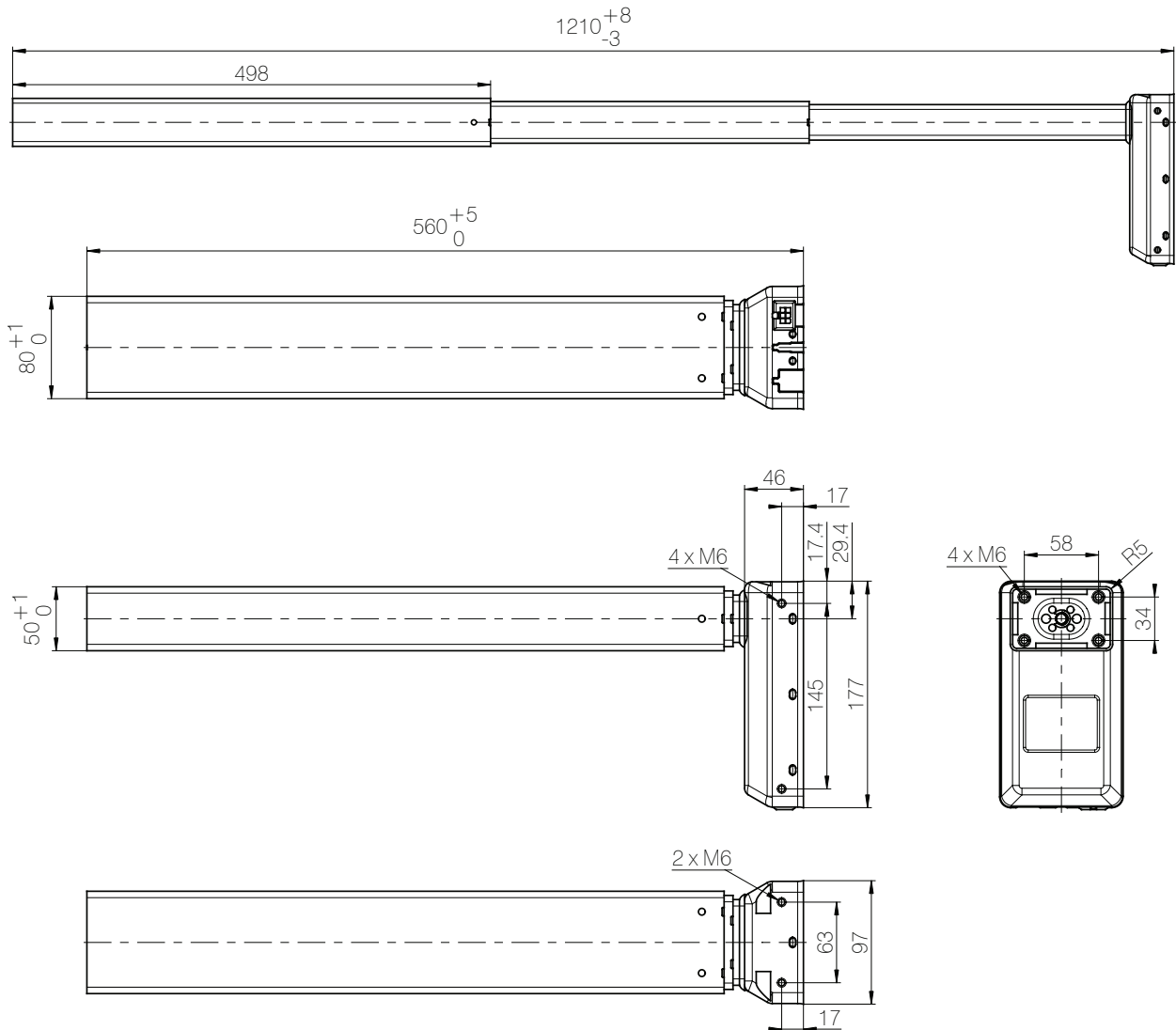
Type	Max. Thrust pr. DL (N)	Self-lock pr. DL (N)	Speed at 0 load (mm/s)	Duty cycle (%)	Spindle pitch (mm)	Stroke length (mm)	Built-in length (mm)
DL6	800	800	38	10	20	650	560
DL61	1200	1200	23	10	12	650	560

The measurements above are made in connection with the control box CBD6S.

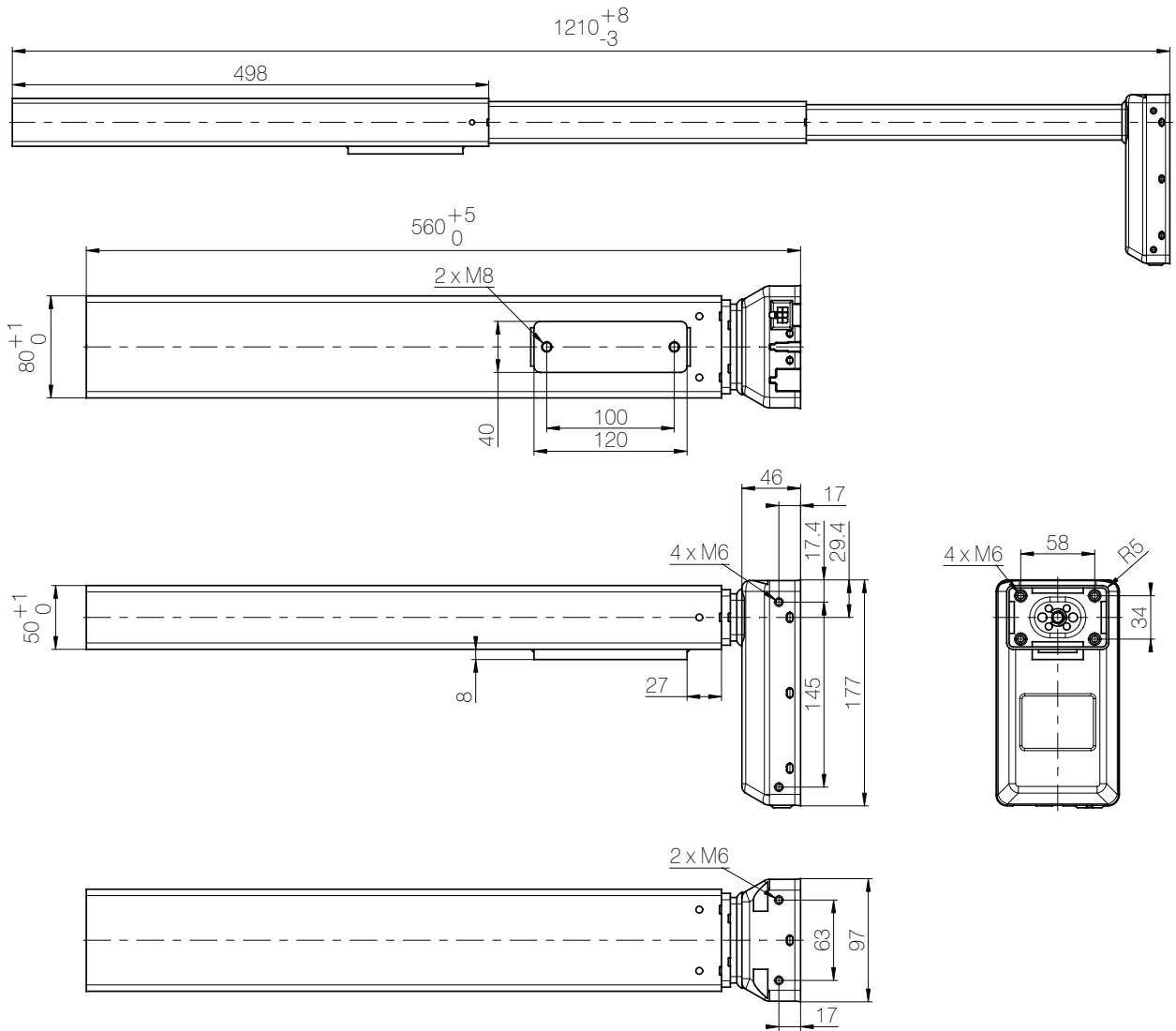
Dimensions:

At a fully retracted length of 560 mm $+5/-0$ mm and a stroke length of 650 mm ± 3 mm it is possible for a standard system to obtain an adjustment interval of the table top of e.g. 600 – 1250 mm. Thus the desk can be used for sitting as well as standing types of work.

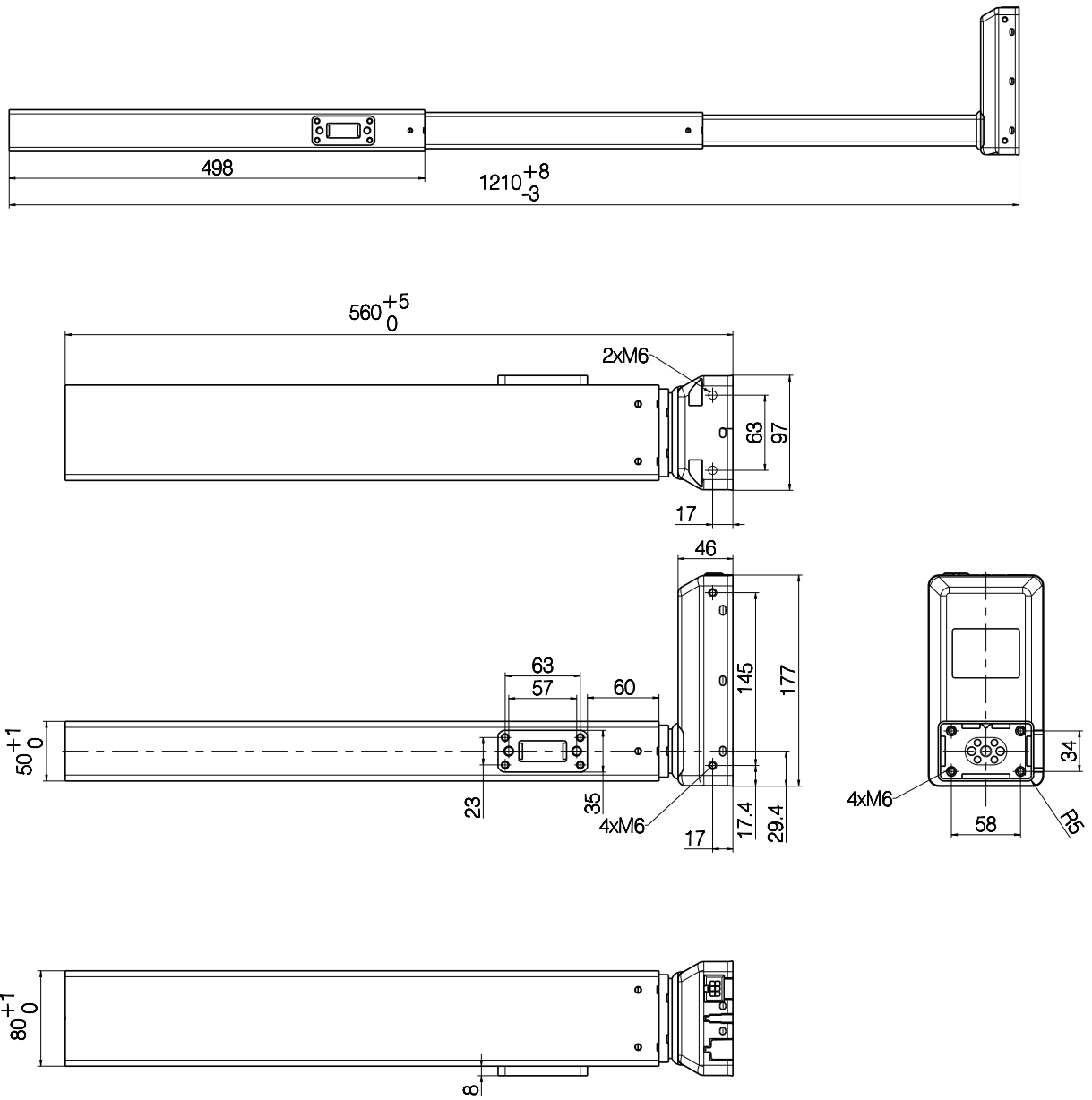
Dimensions, standard DL6 without bracket



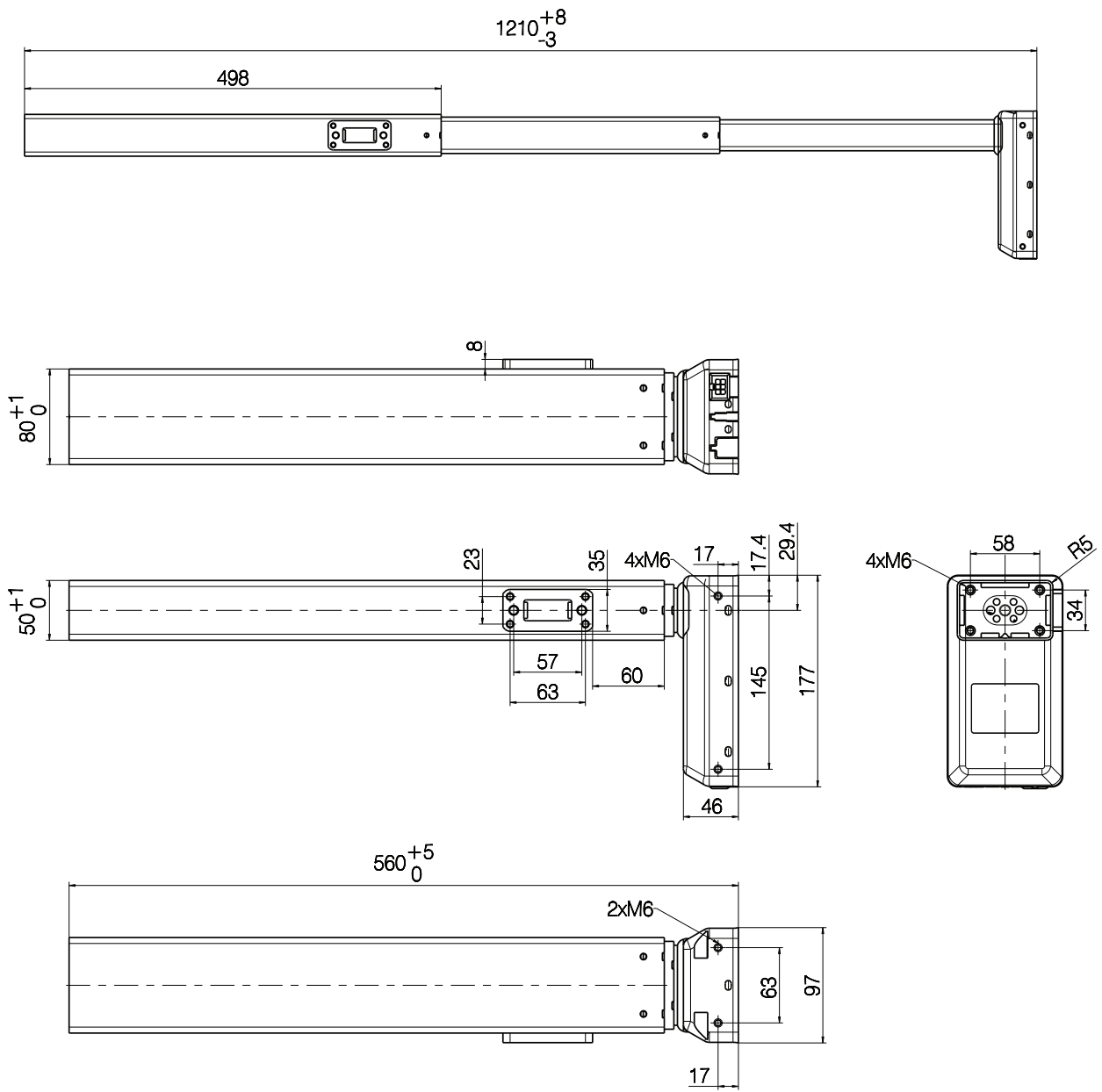
Dimensions, standard DL6 with bracket



Dimensions, standard DL6 with bench bracket
Left column

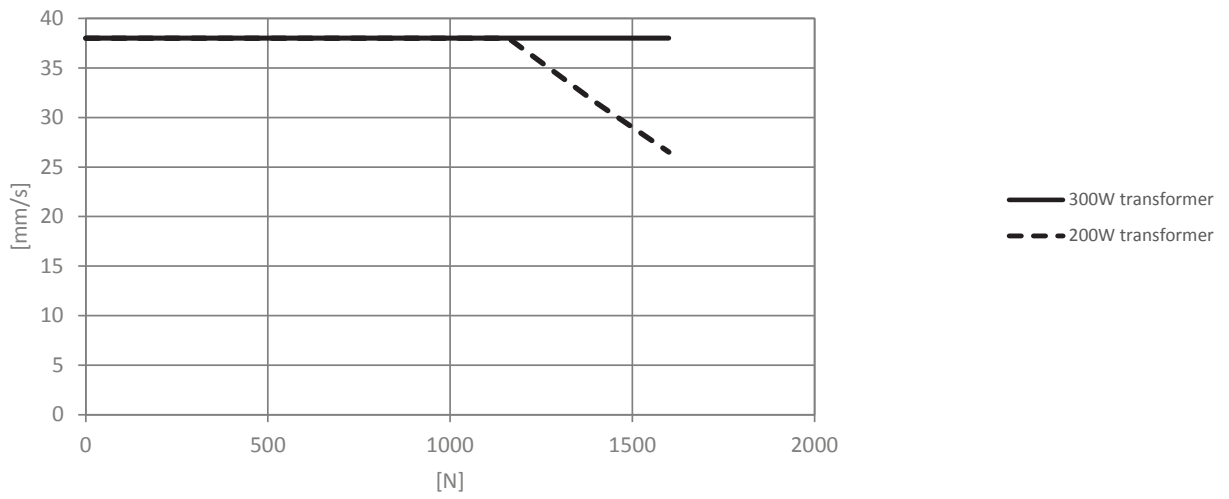


Dimensions, standard DL6 with bench bracket
Right column

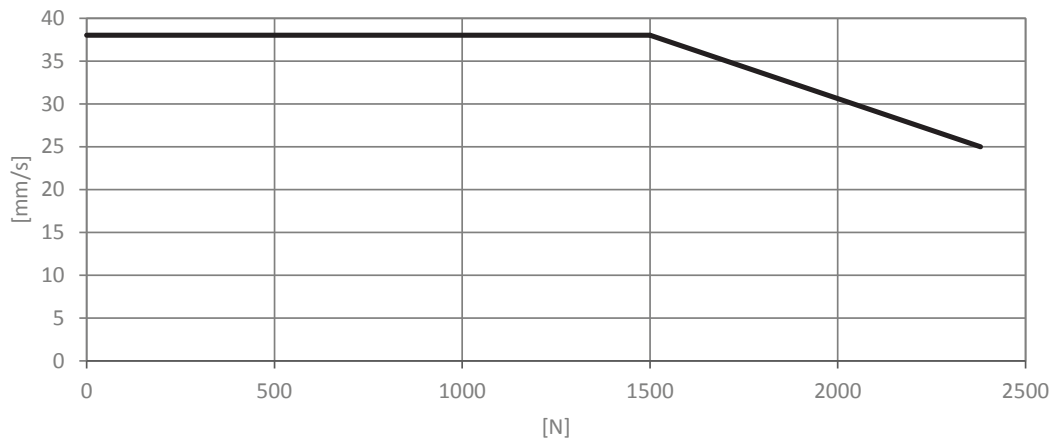


Curves DL6 800N (20 mm spindle) with CBD6S

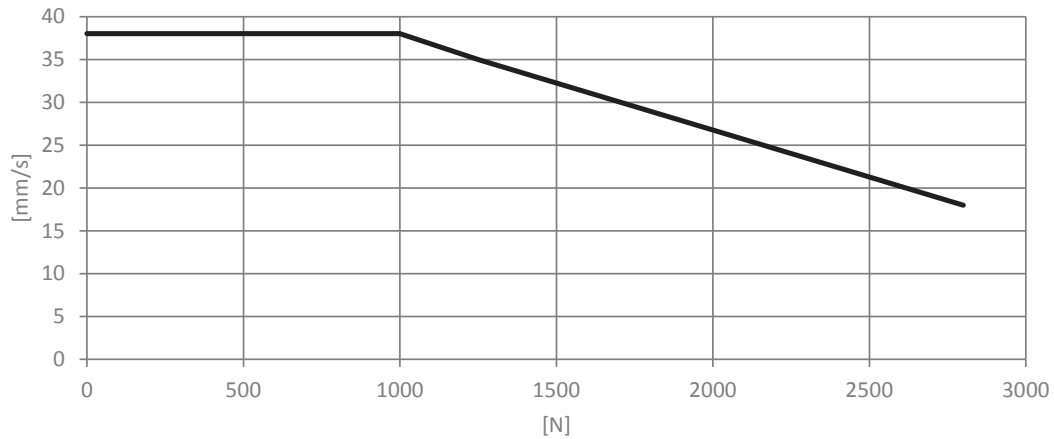
2 x DL6 (equally loaded) with CBD6S



3 x DL6 (equally loaded) with CBD6S (300W)

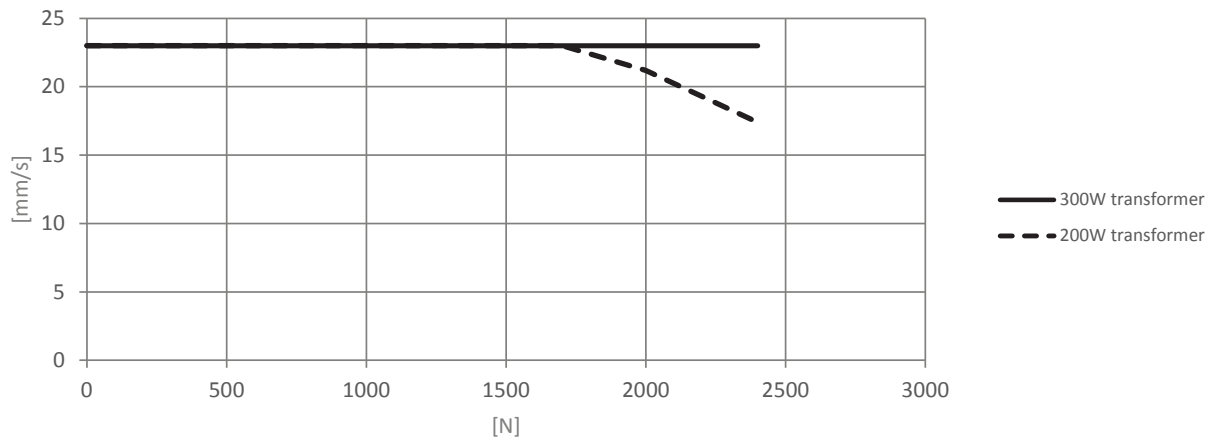


4 x DL6 (equally loaded) with CBD6S (300W)

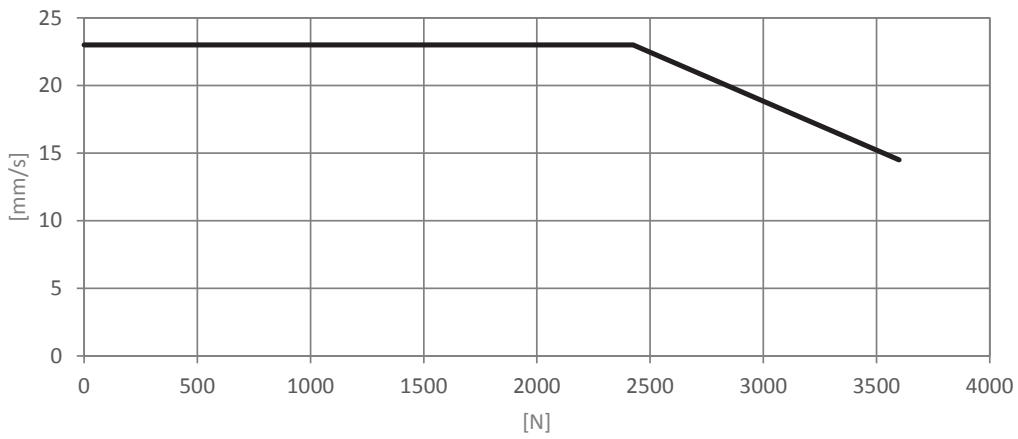


Curves DL6 1200N (12 mm spindle) with CBD6S

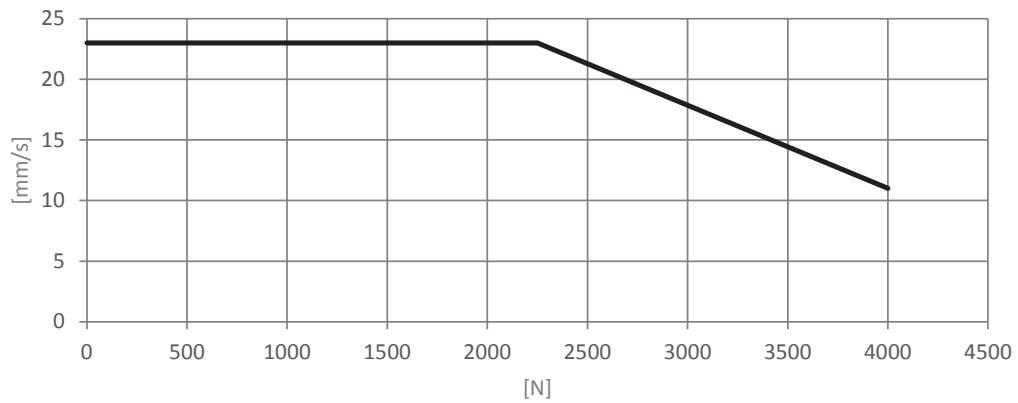
2 x DL6 1200N (equally loaded) with CBD6S



3 x DL6 1200N (equally loaded) with CBD6S (300W)



4 x DL6 1200N (equally loaded) with CBD6S (300W)



DL6

Ordering example:

DL6	0	0	0	B	N	0	650	560	
									Installation dimension: 560 = 560 mm
									Stroke length: 650 = 650 mm
									Motor type: 0 = Standard E = PIEZO™ + IID
									Option: N = No Crossbar
									Colour: A = Grey RAL 9006 B = Black RAL 9005 D = White RAL 9016
									Mounting bracket: 0 = None 1 = 120 x 40 x 8 mm (with 2 x M8) L = Bench bracket on left narrow side R = Bench bracket on right narrow side
									Option: 0 = Standard
									Spindle type: 0 = 20 mm pitch (Standard) 1 = 12 mm pitch (1200 N)
									Actuator type: DL6



All cables for creating a fully connected DESKLINE® system must be ordered separately. We offer a range of different versions and lengths. To get information as ordering number, colour and length of the cables, please contact your local LINAK.

Terms of use

The user is responsible for determining the suitability of LINAK products for specific application. LINAK takes great care in providing accurate and up-to-date information on its products.

However, due to continuous development in order to improve its products, LINAK products are subject to frequent modifications and changes without prior notice. Therefore, LINAK cannot guarantee the correct and actual status of said information on its products.

While LINAK uses its best efforts to fulfill orders, LINAK cannot, for the same reasons as mentioned above, guarantee the availability of any particular product. Therefore, LINAK reserves the right to discontinue the sale of any product displayed on its website or listed in its catalogues or other written material drawn up by LINAK.

All sales are subject to the Standard Terms of Sale and Delivery for LINAK. For a copy hereof, please contact LINAK.