



DESKLIFT™ DL5 IC

Data sheet

DESKLIFT™ DL5 IC

The DESKLIFT™ DL5 IC (Integrated Controller) is a compact 2-part lifting column, based on our well-known DL5 column. The DL5 IC is a perfect choice for adjustable economy office desks using only 2 columns and requiring a stroke length of maximum 500 mm. The DL5 IC lifting column has the same outer dimensions and mounting holes as the 3-part DL6 IC column. Thus, they can be used in the same tabletop and table foot construction. For benching desk solutions, the column is available with a bench bracket. The DL5 IC column is very sturdy for which reason a crossbar is not necessary, and the compact motor housing makes the column easy to integrate in various desk designs.

The DL5 IC column is available in three standard colours (black, grey and white) - and can optionally be delivered in other colours. The DL5 IC can also be delivered with invisible gliding pads for a clean design.

An IC system consists of two columns, a master column and a follower column connected via a motor cable. The master column has a built-in control PCB; thus, no separate control box must be mounted in an IC system. The mains supply is an external SMPS (Switch Mode Power Supply) unit, and a variety of desk panels can be used for adjusting the desk.



Features:

- Compact design where guide and actuator functions are an integrated unit
- Reinforced column and optimised motor housing design for extra strength and stability
- Max. load: 500 N per column
- Max. speed: 38 mm/s unloaded
- Standard installation dimension: 645 mm
- Standard stroke length: 500 mm
- Weight: Approximately 6.5 kg per column
- Dimensions column: 50 x 80 mm (outer profile) and 43.5 x 73.5 mm (inner profile)
- Dimension motor housing: 177 x 97 x 46 mm
- Colour: Available in black (RAL 9005), grey (RAL 9006) or white (RAL 9016)
- Low noise level

Option

- PLUS™: Invisible gliding pads and a smooth outer profile with no punch marks
- Available with bench bracket
- Available as DESKLIFT™ SetPack

Usage

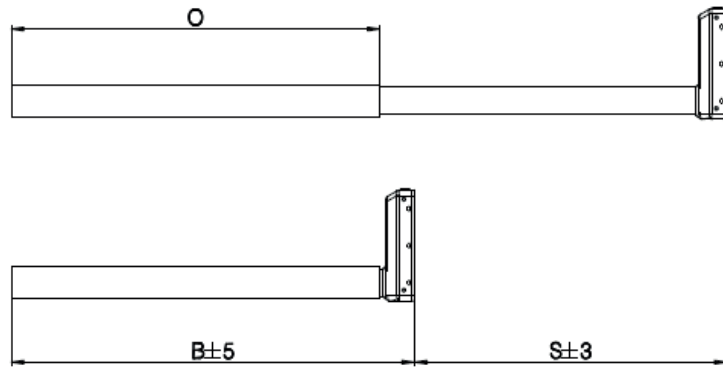
- 2 parallel drive with one DL5 IC master and one DL5 IC follower, and an external power supply (SMPS001 (230 V), SMPS002 (120 V) or SMPS006 (Universal))
- Duty cycle: 10 % ≈ 2 minutes continuous use at full load, followed by 18 minutes pause
- Ambient temperature: 10 to 40 °C
- Storage and transportation temperature: -10 to +70 °C
- Compatible with DESKLINE® controls
- Compatible with the Kick & Click™ mounting solution
- Compatible with DESKLIFT™ Feet
- System compliance, see the Declaration of Conformity in the User Manual



Be aware that when a desk panel with display is used, the light intensity must be configured to 50 % before use.

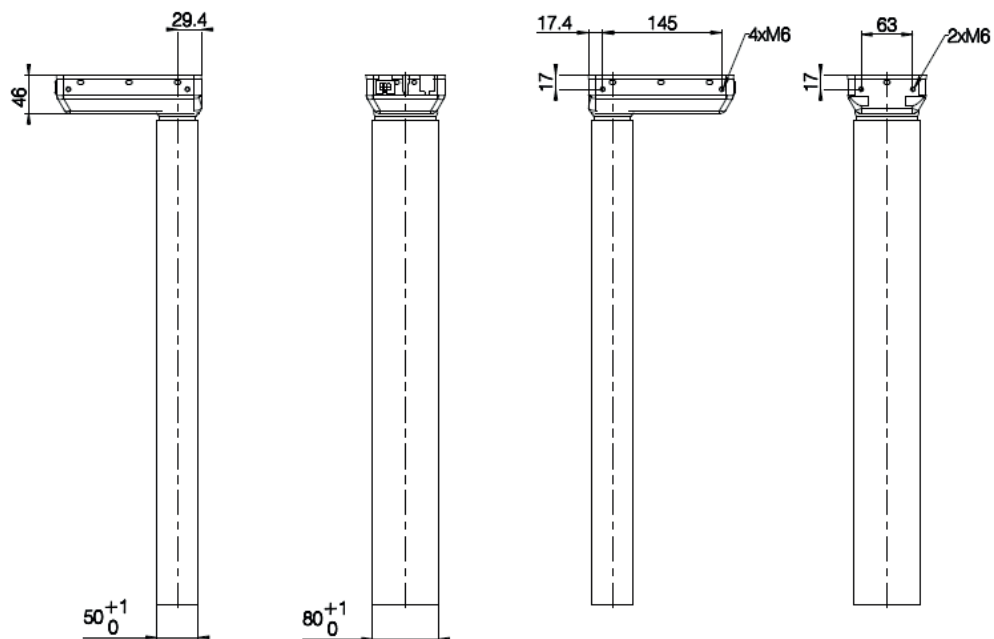
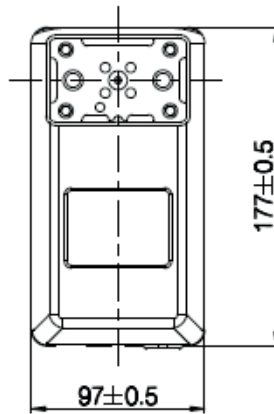
With a fully retracted length of 645 mm and a stroke length of 500 mm, it is possible for a standard system to obtain an adjustment range of the tabletop from e.g. 680 to 1180 mm. Thus, the desk can be used for sitting as well as for standing types of work.

Dimensions
DL5 IC



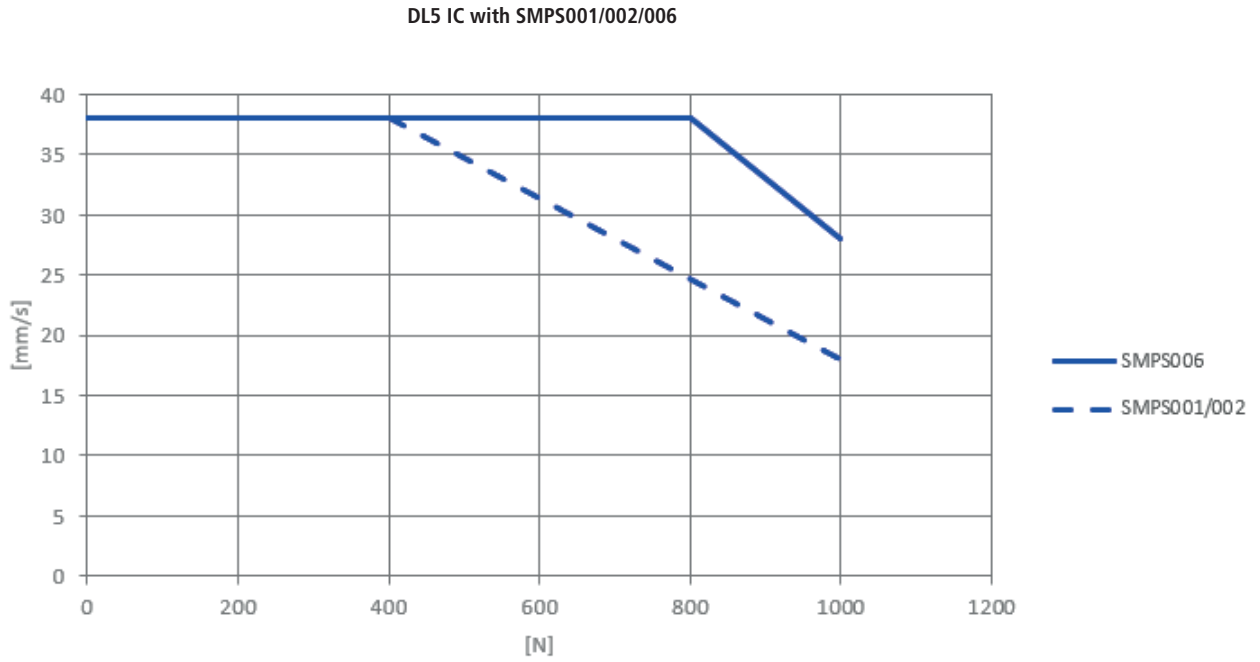
Version	Combination code	B (Built-in length) [mm]	S (Stroke length) [mm]	O (Outer profile length) [mm]
EU	DL5xxxxx645500	645	500	590

DL5 built-in length, stroke length, and outer profile length (mm)



DL5 motor housing and profile dimensions (mm)

Curves DL5 IC with SMPS001/002/006



Two DL5 IC (equally loaded) with SMPS001/002/006

The above data are measured in connection with 2 x DL5 IC lifting units and SMPS001/002/006.
The desk is driving upwards.



The curves above apply to a centrally placed load. With moment load, there will be increased friction in the columns, which will reduce the lifting force correspondingly.



The end-stop system in the DL5 IC is based on a buffer system meaning that you must be aware of the lengths when initialising. The products must be able to drive:

- Inward direction: Installation dimension - tolerances - 5 mm
- Outward direction: Installation dimension + stroke length + tolerances + 5 mm

DL5 IC

Ordering example:

DL5	0	0	0	B	N	M	500	645	
									Installation dimension : 645 = 645 mm
									Stroke length: 500 = 500 mm
									Motor type: M = IC Master S = IC Follower
									Option: N = Standard P = PLUS series
									Colour: A = Grey (RAL 9006) B = Black (RAL 9005) D = White (RAL 9016)
									Mounting bracket: 0 = None L = Bench bracket on left narrow side (Follower) R = Bench bracket on right narrow side (Master)
									Option: 0 = Standard
									Spindle type: 0 = 20 mm pitch (Standard)
									Actuator type: DL5



All cables for creating a fully connected DESKLINE system must be ordered separately. We offer a range of different versions and lengths. For information such as ordering number, colour and cable lengths, please contact your local LINAK.



Please observe that the item numbers for columns with bench bracket will be created so that the master column will be on the right and the follower column on the left side of the desk, seen from the position of the user.

LINAK® accepts no responsibility for possible errors or inaccuracies in catalogues, brochures, and other material. LINAK reserves the right to change its products without prior notice. LINAK cannot guarantee product availability and reserves the right to discontinue the sale of any product. The user is responsible for determining the suitability of LINAK products for a specific application. All sales are subject to the 'Standard Terms of Sale and Delivery', available on LINAK websites.

LINAK and the LINAK logotype are registered trademarks of LINAK A/S. All rights reserved.