



Desklift DL51C Data sheet

DL5IC

The DESKLIFT™ DL5IC (Integrated Controller) is a compact 2-part lifting column, based on our well-known column DL5. The DL5IC is a perfect choice for economy office desks only using 2 columns and requiring a stroke length of maximum 500 mm. The DL5IC system is a set consisting of a master column where the control PCB is built in and a slave column that is connected to the master column via a motor cable. The mains supply is an external SMPS (Switch Mode Power Supply) unit. A variety of Desk Panels can be used for adjusting the desk. For benching desk solutions, the column is available with a bench bracket.



Features:

- Compact design where guide and actuator function are an integrated unit
- Reinforced column and optimised motor housing design for extra strength and stability
- Max thrust 500 N per column
- Max speed: 38 mm/s unloaded
- Standard installation dimension: 645 mm
- Standard stroke length: 500 mm
- Dimensions column: 50 x 80 mm (outer profile), 43.5 x 73.5 mm (inner profile)
- Dimension motor housing: 177 x 97 x 46 mm
- Bending moment: $M_y = \max 150 \text{ Nm}$ dynamic
- Low noise level
- Colour: Available in black (RAL 9005), silver grey (RAL 9006) or white (RAL9016)

Option

- Bench bracket for benching solutions

Usage

- 2 parallel drive with one DL5IC master and 1 DL5IC slave and an external SMPS001 (230V), an SMPS002 (120V) or an SMPS006 (Universal)
- Duty cycle: 10% ~ 6 min. per hour or 2 min. continuous use at full load
- Ambient temperature: +10° to +40° C
- Compatible with DESKLINE® controls
- Compatible with the Kick & Click™ mounting solution
- Compatible with DESKLIFT™ Feet
- Approved according to EN 60335-1 and UL 962
- Storage and transport temperature: -10° C to +70° C

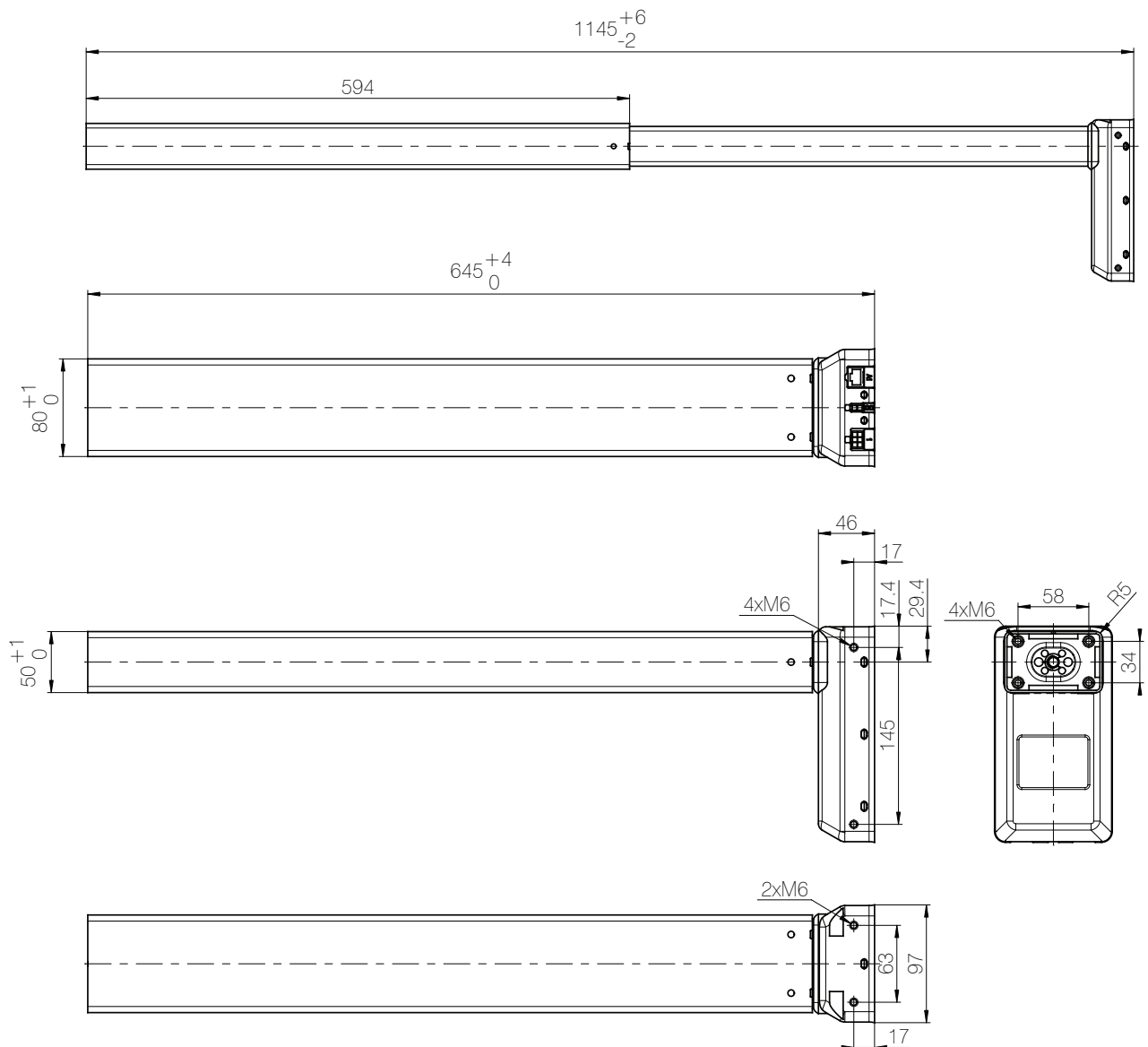
Technical specifications:

Type	Max thrust per DL (N)	Self-lock per DL (N)	Speed at 0 load (mm/s)	Duty cycle (%)	Spindle pitch (mm)	Stroke length (mm)	Built-in length (mm)
DL5IC	500	500	38	10	20	500	645

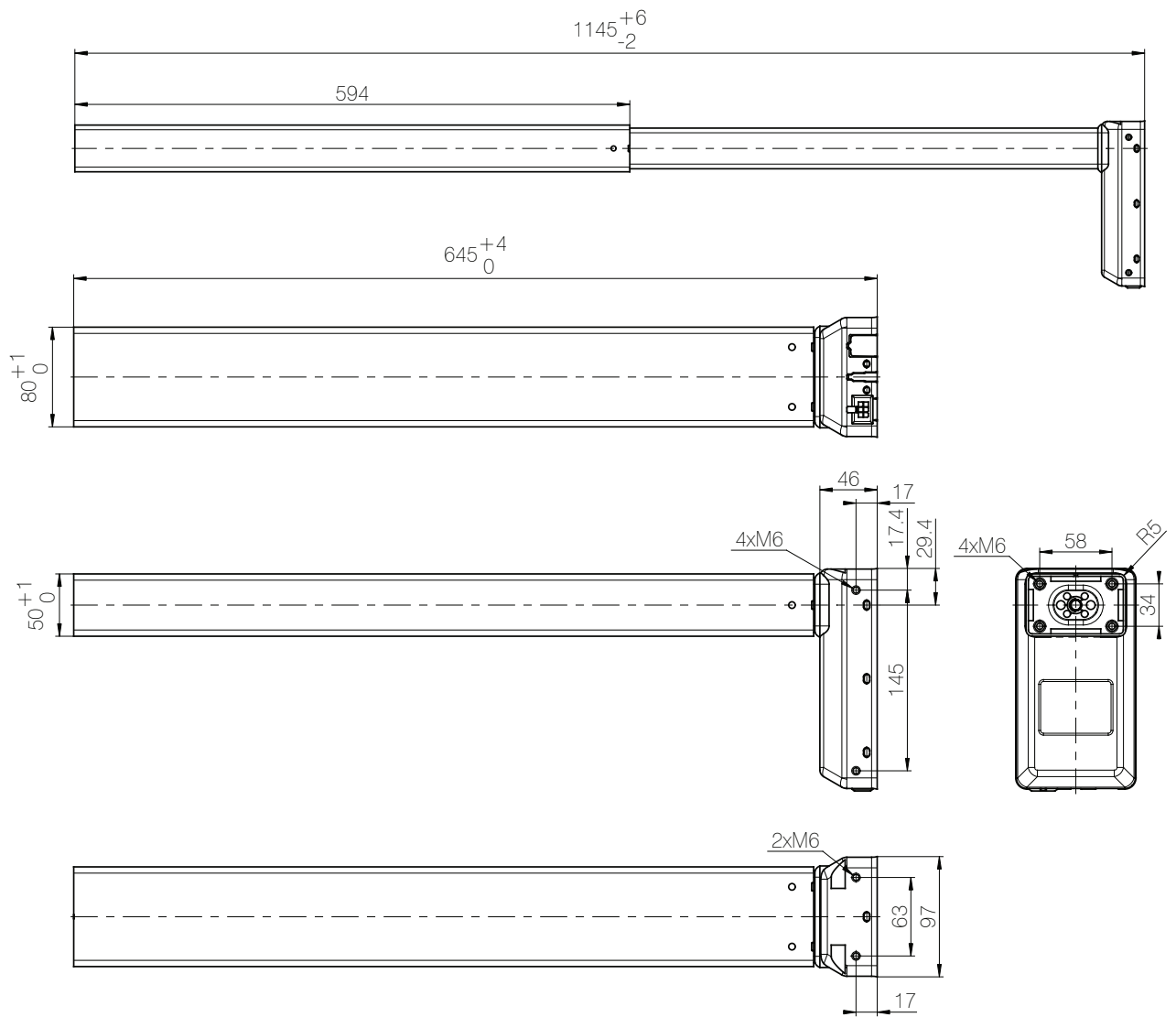
The above measurements are made in connection with the SMPS001/002.

At a fully retracted length of 560 mm ± 5 -0 mm and a stroke length of 650 mm ± 3 mm it is possible for a standard system to obtain an adjustment interval of the table top of e.g. 600 – 1250 mm. Thus the desk can be used for sitting as well as standing type of work.

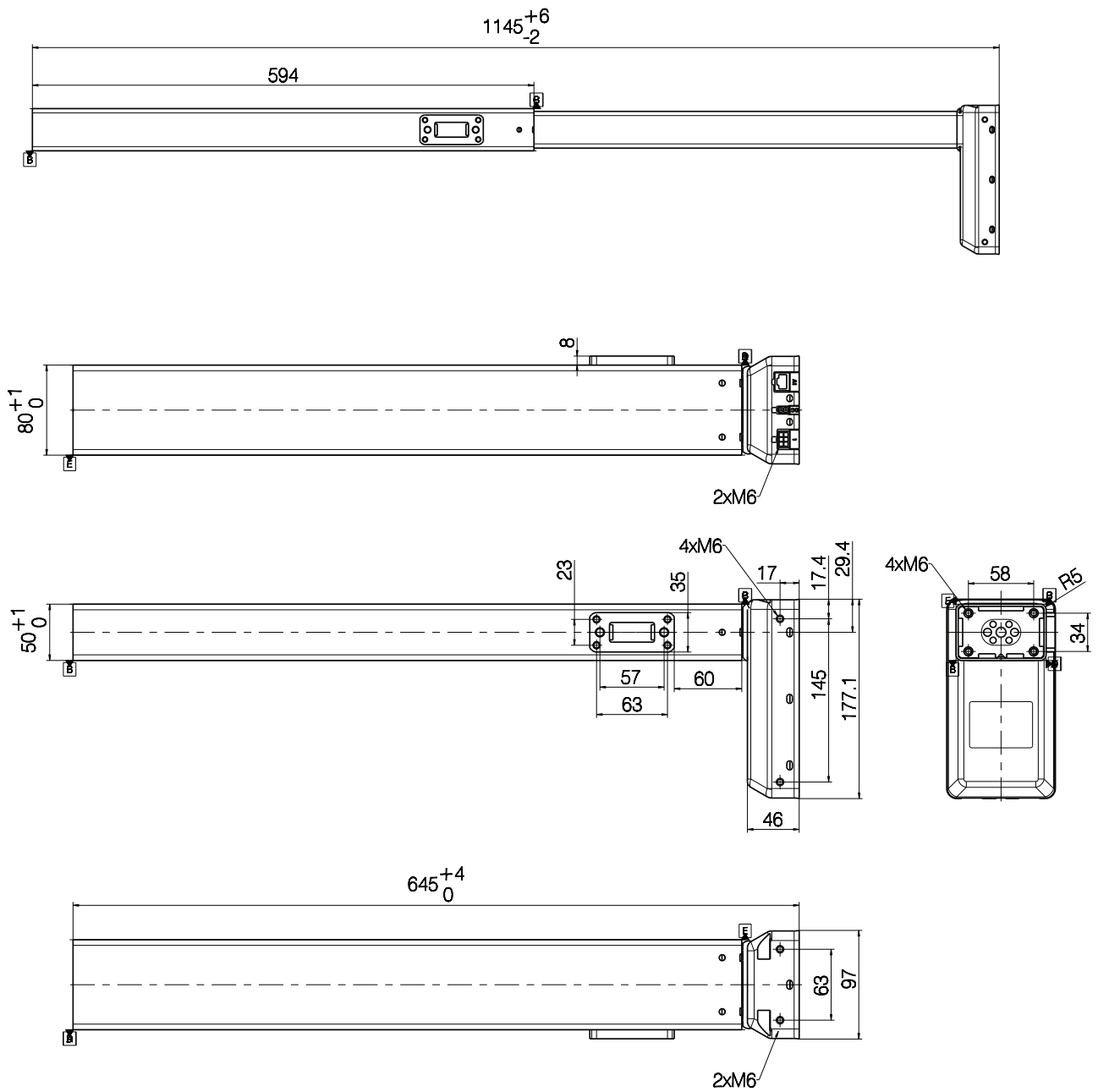
Dimensions DL5IC Master



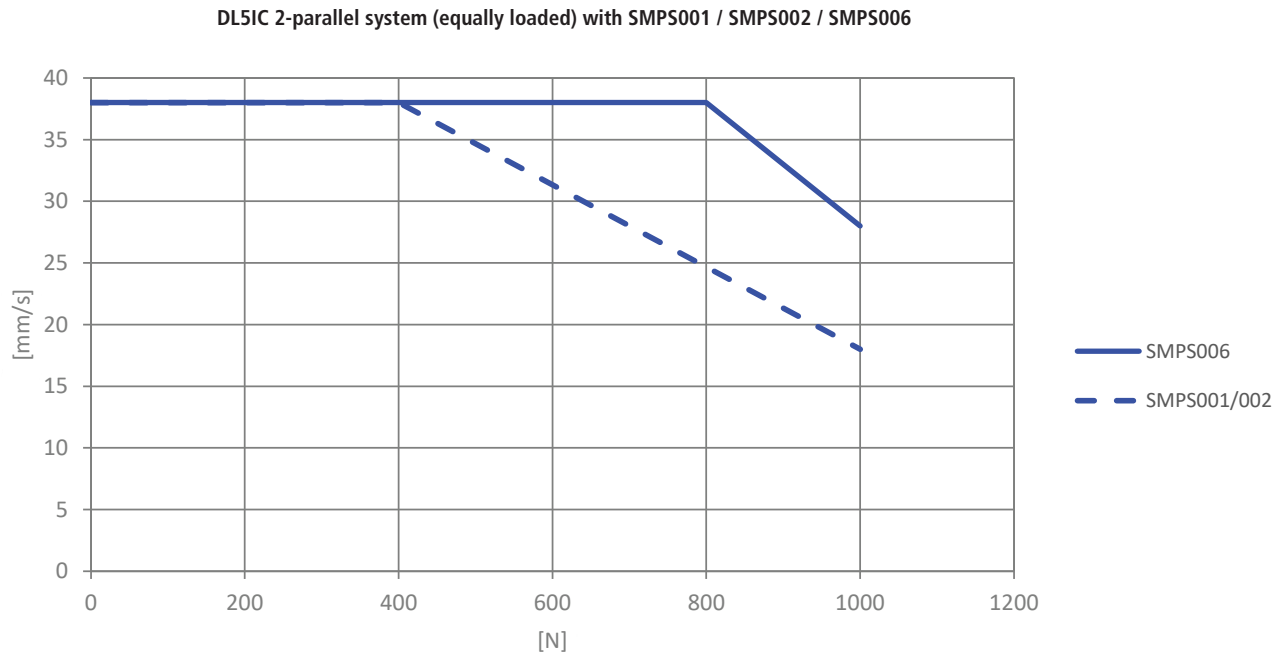
Dimensions DL5IC Slave



Dimensions DL5IC with bench bracket (master)



Curves DL5IC with SMPS001/002/006



The above data are measured in connection with 2 x DL5IC lifting units and SMPS001/002/006.



The above curves apply to a centrally placed load. With moment load the friction in the columns will be increased, which will reduce the lifting force correspondingly.

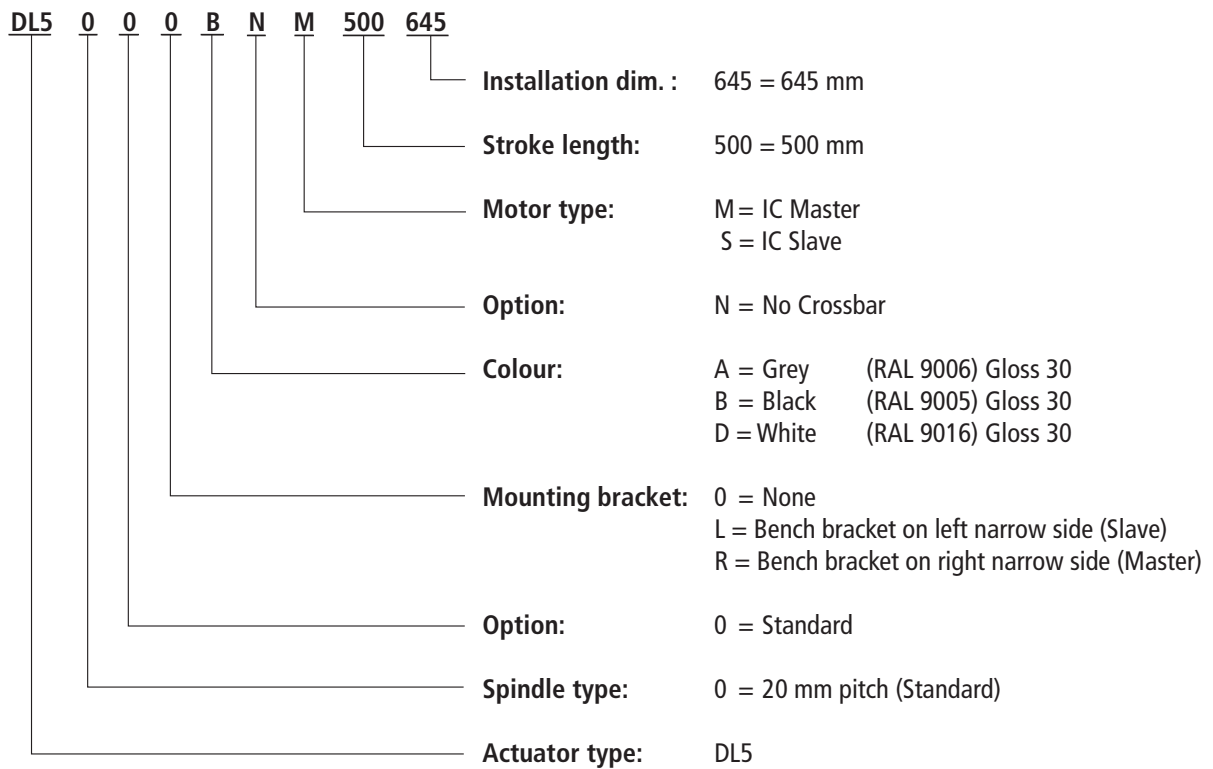


The end-stop system in the DL5IC is based on a buffer system meaning that you must be aware of the lengths when initialising. The products must be able to drive:

Inward direction: built-in dimension - tolerances - 5 mm
Outward direction: built-in dimension + stroke length + tolerances + 5 mm

DL51C

Ordering example:



All cables for creating a fully connected DESKLINE system must be ordered separately. We offer a range of different versions, for more information as ordering number and length of the cables please contact your local LINAK.



Please observe that the item numbers will be created so that the master column will be on the right side and the slave column will be on the left side of the desk, seen from the position of the user.

Terms of use

The user is responsible for determining the suitability of LINAK products for specific application. LINAK takes great care in providing accurate and up-to-date information on its products.

However, due to continuous development in order to improve its products, LINAK products are subject to frequent modifications and changes without prior notice. Therefore, LINAK cannot guarantee the correct and actual status of said information on its products.

While LINAK uses its best efforts to fulfil orders, LINAK cannot, for the same reasons as mentioned above, guarantee the availability of any particular product. Therefore, LINAK reserves the right to discontinue the sale of any product displayed on its website or listed in its catalogues or other written material drawn up by LINAK.

All sales are subject to the Standard Terms of Sale and Delivery for LINAK. For a copy hereof, please contact LINAK.