



DESKLIFT™ DL5
Data sheet

DESKLIFT™ DL5

The DESKLIFT DL5 is a compact 2-part lifting column, which is a perfect choice for a wide range of different desk applications, especially in the office area. The DL5 has a compact motor housing, which is almost invisible in the tabletop construction. The column is very sturdy for which reason a crossbar is not necessary. The DL5 has the same outer dimensions and mounting holes as the 3-part DL6 column, which make them compatible and they can be used in the same tabletop and table foot construction. The DL5 is available in several standard colours and lengths to fit into a wide range of desk designs.

The wide DL5 product programme offers various options such as DL5 PLUS™ - a design-optimised version - and versions for bench solutions.

The DL5 system is controlled by the DESKLINE® control box (CBD). The control box ensures optimal parallel drive and a pleasantly low noise level. The DL5 can be used as a single column or with 2, 3 or 4 columns in parallel systems, or up to 16 columns in multi-parallel systems.



Features:

- Compact design where guide and actuator functions are an integrated unit
- Reinforced column and optimised motor housing design for extra strength and stability
- Plug mounted on the DL5 for connection to the DESKLINE® control box with a separate DESKLINE® motor cable
- Max. load 800 N per column
- Max. speed: 38 mm/s unloaded
- Standard installation dimension 645 mm or 445 mm*
- Standard stroke length 500 mm or 300 mm*
- Weight: Approximately 6.5 kg per column
- Dimensions column: 50 x 80 mm (outer profile) and 43.5 x 73.5 mm (inner profile)
- Dimension motor housing: 177 x 97 x 46 mm
- Bending moment: $M_y = \max. 150 \text{ Nm}$ dynamic
- Colour: Available in black (RAL 9005), grey (RAL 9006) or white (RAL 9016)
- Hall sensor enabling parallel drive with DESKLINE® control boxes
- Low noise level

*: Not available in PLUS™ design

Option

- PLUS™: No visible gliding pads
- Available with bench bracket
- Mounting bracket for a crossbar in a parallel system (40 x 120 mm)
- Installation dimension 445 mm and stroke length 300 mm
- Available as DESKLIFT™ SetPack

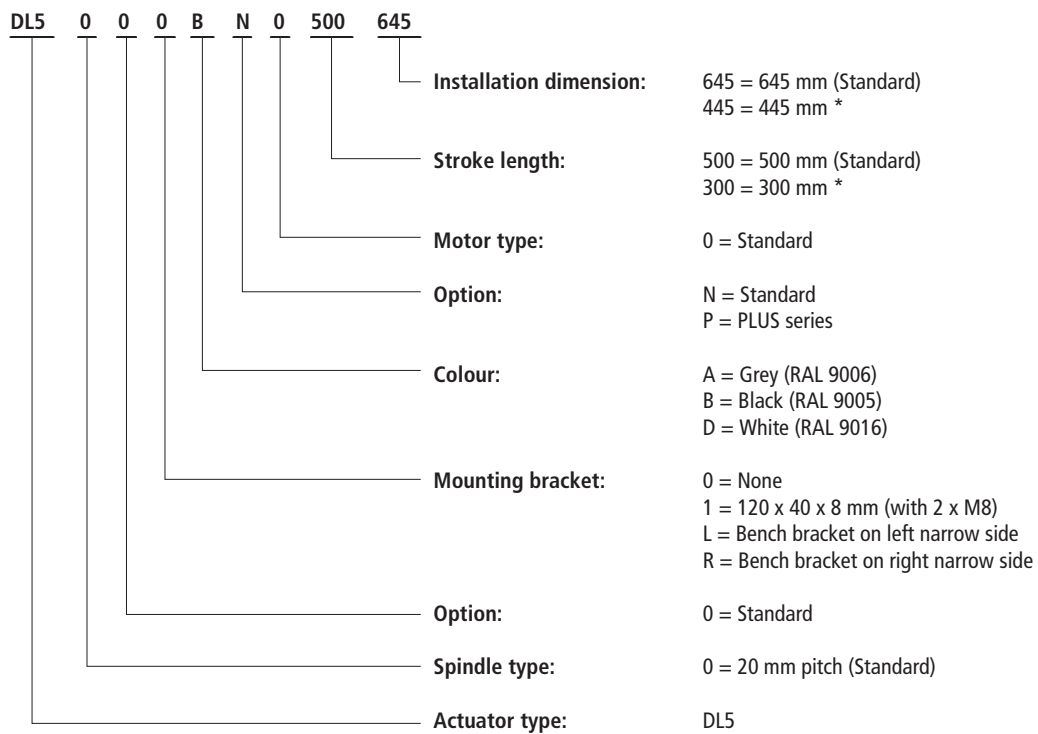
Usage

- Single or 2, 3 or 4 parallel drive or even multi-parallel with up to 16 columns
- Duty cycle: 10 % \approx 2 minutes continuous use at full load followed by 18 minutes pause
- Ambient temperature: 10 to 40 °C
- Storage and transportation temperature: -10 to +70 °C
- Compatible with DESKLINE® control boxes and all DESKLINE® controls
- Compatible with the Kick & Click™ mounting solution
- Compatible with DESKLIFT™ Feet
- System compliance, see the Declaration of Conformity in the User Manual

With a fully retracted length of 645 mm and a stroke length of 500 mm, it is possible for a standard system to obtain an adjustment range of the tabletop from e.g. 680 to 1180 mm. Thus, the desk can be used for sitting as well as for standing types of work.

DL5

Ordering example:



*: Not available in PLUS™ design

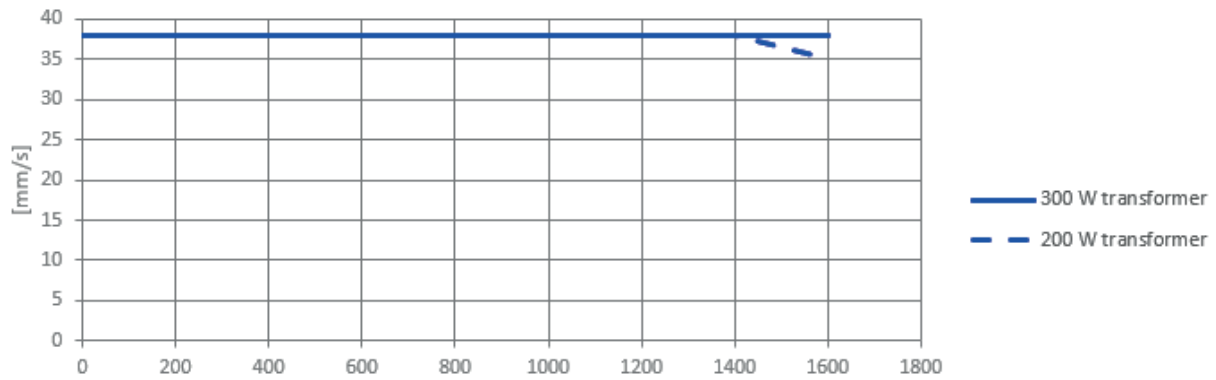


All cables for creating a fully connected DESKLINE® system must be ordered separately. We offer a range of different versions and lengths. To get information as ordering number, colour and length of the cables, please contact your local LINAK.

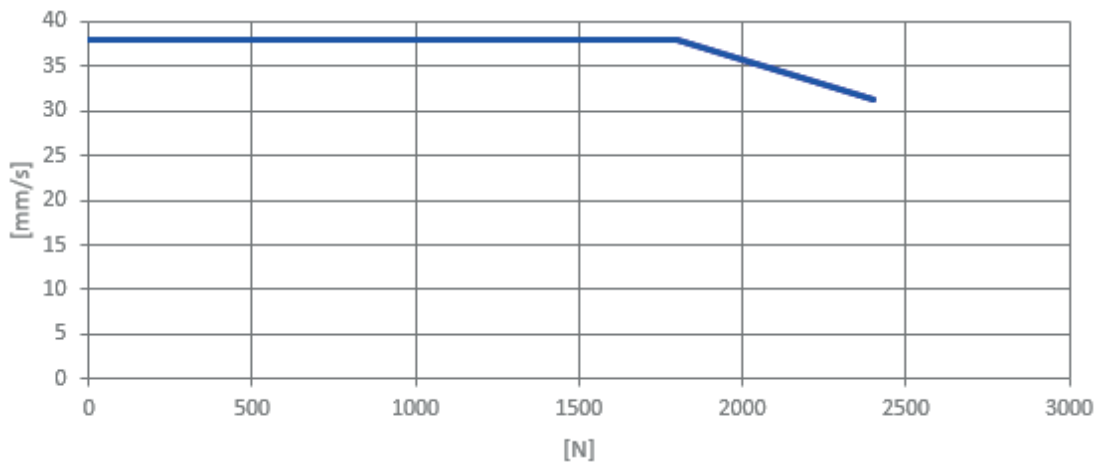
Performance curves

DL5 800 N (20 mm spindle) with CBD6S

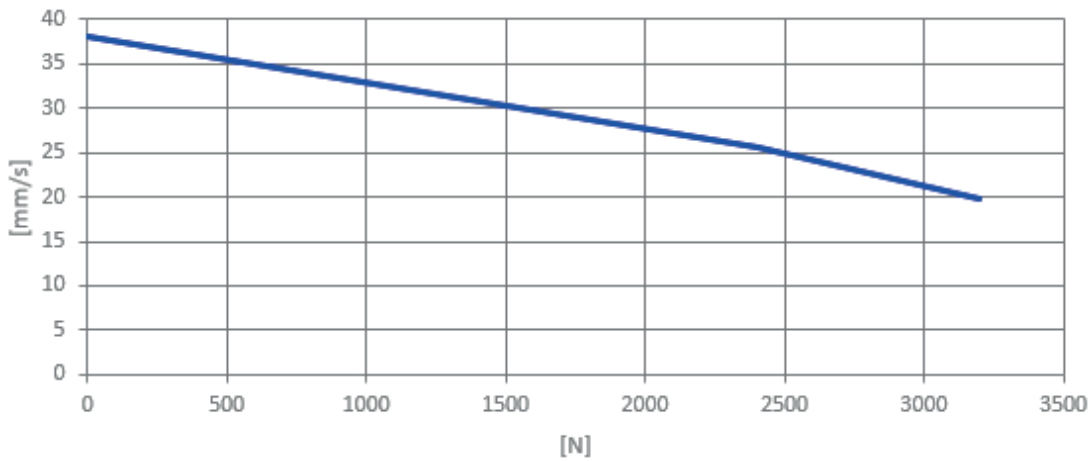
Two DL5/8/10/15 (equally loaded) with CBD6S



Three DL5/8/10/15 (equally loaded) with CBD6S



Four 5/8/10/15 (equally loaded) with CBD6S



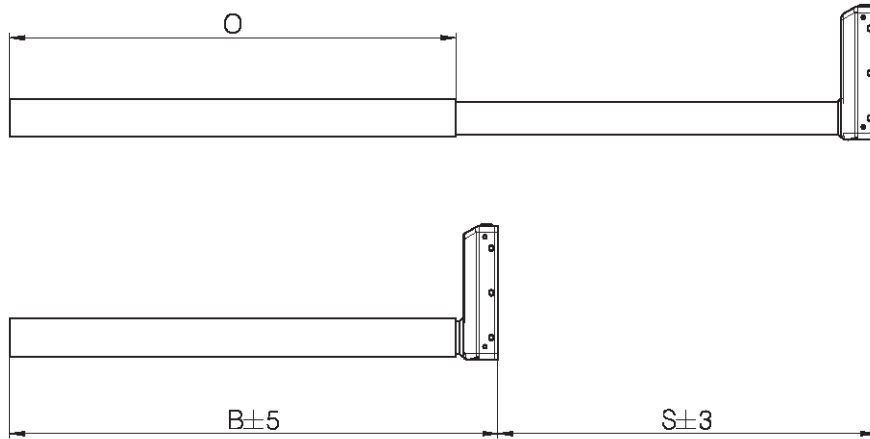
The data above are measured in connection with 2 to 4 DL5 lifting columns and control box CBD6S.

The desk is driving upwards.



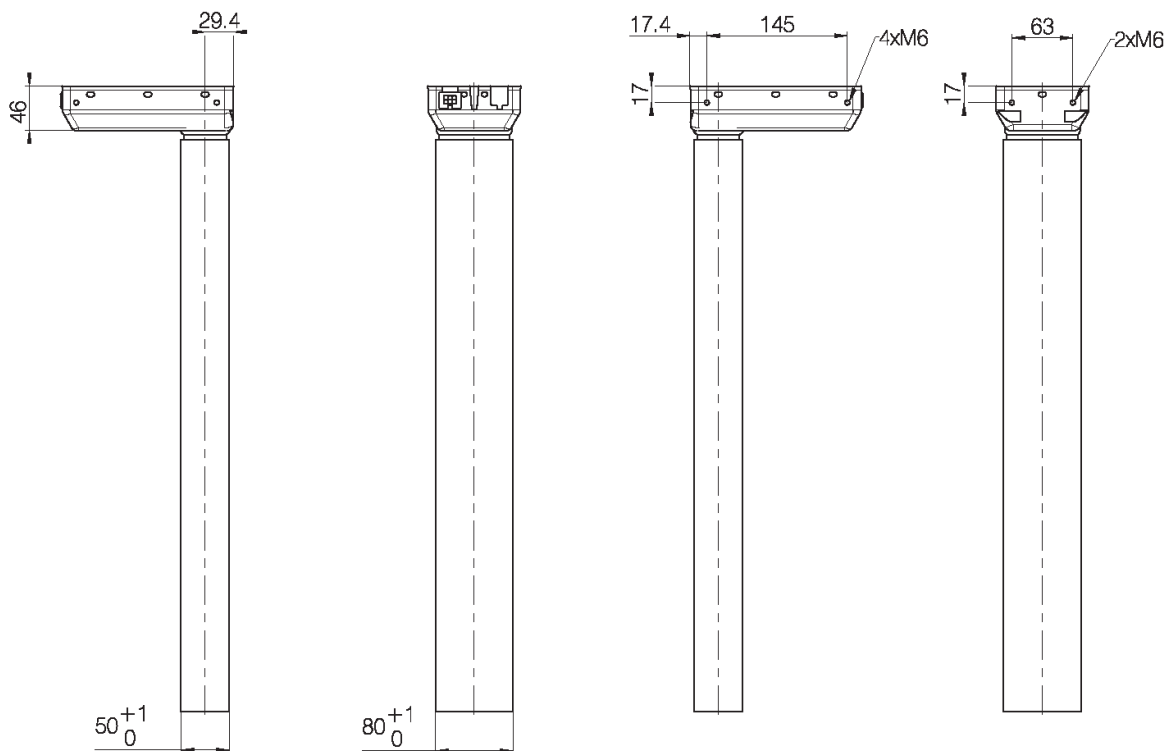
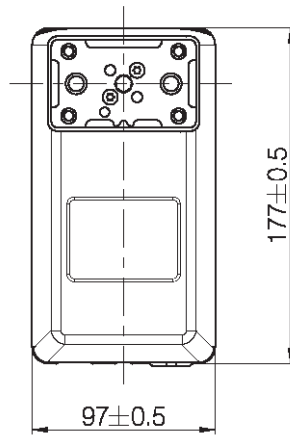
The curves above apply to a centrally placed load. With moment load, there will be increased friction in the columns, which will reduce the lifting force correspondingly.

Dimensions
DL5

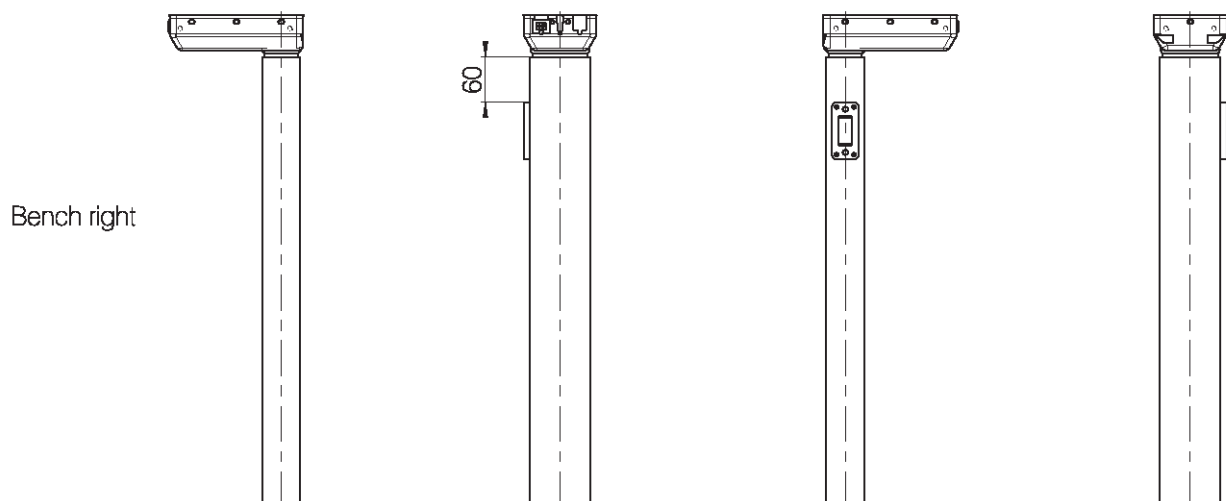
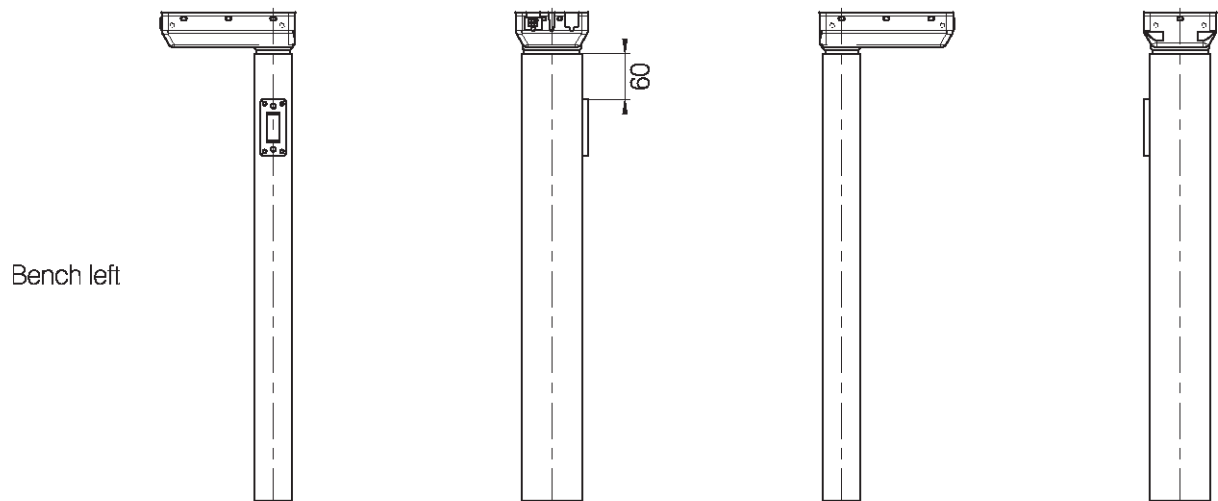
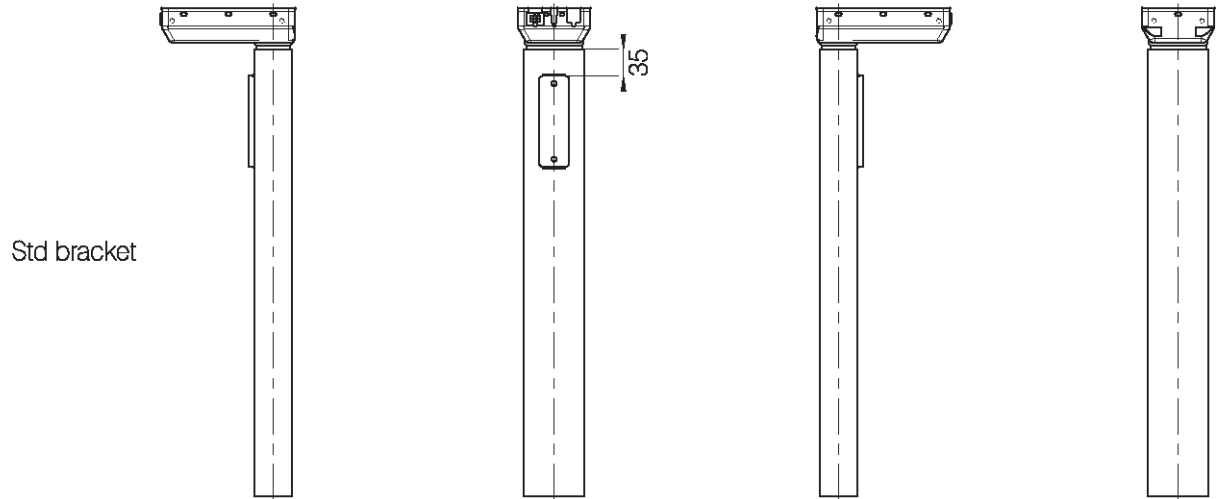


Version	Combination code	B (Built-in length) [mm]	S (Stroke length) [mm]	O (Outer profile length) [mm]
EU	DL5xxxxx645500	645	500	590

DL5 built-in length, stroke length, and outer profile length (mm)

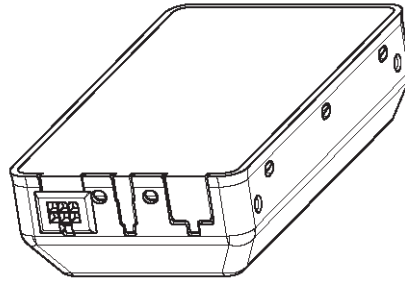


DL5 motor housing and profile dimensions (mm)



Combination code	Std bracket	Bench left	Bench right
DL5xx1xxxxxxxxx	X		
DL5xxLxxxxxxxxx		X	
DL5xxRxxxxxxxxx			X

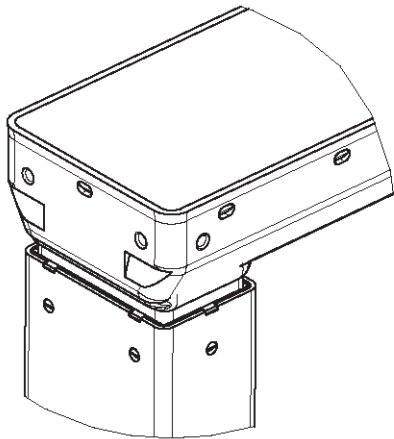
Bracket options (dimensions in mm)



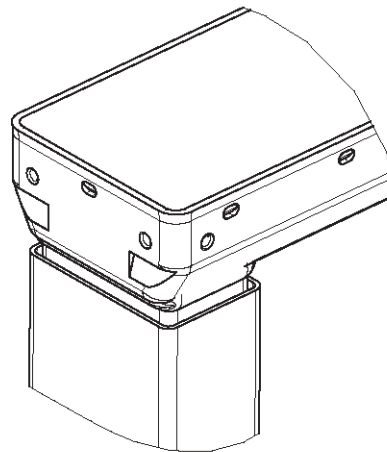
Standard

Combination code	Type
DL5xxxxx0xxxxxx	Standard

Socket combination



Standard



PLUS™

Profile designs

LINAK® accepts no responsibility for possible errors or inaccuracies in catalogues, brochures, and other material. LINAK reserves the right to change its products without prior notice. LINAK cannot guarantee product availability and reserves the right to discontinue the sale of any product. The user is responsible for determining the suitability of LINAK products for a specific application. All sales are subject to the 'Standard Terms of Sale and Delivery', available on LINAK websites.

LINAK and the LINAK logotype are registered trademarks of LINAK A/S. All rights reserved.