



DESKLIFT™ DL5
Data sheet

DESKLIFT™ DL5

The DESKLIFT DL5 is a compact 2-part lifting column, which is a perfect choice for a wide range of different desk applications, especially in the office area. The DL5 has a compact motor housing, which is almost invisible in the tabletop construction. The column is very sturdy for which reason a crossbar is not necessary. The DL5 has the same outer dimensions and mounting holes as the 3-part DL6 column, which make them compatible and they can be used in the same tabletop and table foot construction. The DL5 is available in several standard colours and lengths to fit into a wide range of desk designs.

The DL5 system is controlled by the DESKLINE® control box (CBD). No matter which box is preferred, they all ensure optimal parallel drive and a pleasant low noise level. The DL5 can be used as a single column or in a 2, 3 or 4 parallel system.



Features:

- Compact design where guide and actuator functions are an integrated unit
- Reinforced column and optimised motor housing design for extra strength and stability
- Plug mounted on the DL5 for connection to CBD6S with a separate DESKLINE® motor cable
- Max. thrust 800 N per column
- Max. speed: 38 mm/s unloaded
- Standard installation dimension 645 mm or 445 mm
- Standard stroke length 500 mm or 300 mm
- Weight: 6.6 kg per column (DL5000BN0500645)
- Dimensions column: 50 x 80 mm (outer profile) and 43.5 x 73.5 mm (inner profile)
- Dimension motor housing: 177 x 97 x 46 mm
- Bending moment: $M_y = \max. 150 \text{ Nm}$ dynamic
- Colour: All parts black (RAL 9005), all parts silver grey (RAL 9006) or all parts white (RAL 9016), gloss 30
- Hall sensor enabling parallel drive with CBD6S
- Mounting bracket for a crossbar in a parallel system (40 x 120 mm)
- Low noise level
- Bench bracket for bench solutions

Option

- Compatible with the Kick & Click mounting solution
- Available as DESKLIFT™ SetPack

Usage

- Single or 2, 3 or 4 parallel drive or even multi-parallel with up to 16 columns
- Duty cycle: 10 % ~ 6 minutes per hour OR 2 minutes of continuous use at full load
- Ambient temperature: +10 °C to +40 °C
- Compatible with DESKLINE® control boxes CBD6S and all DESKLINE controls
- Approved in accordance with EN 60335-1 and UL 962
- Storage and transport temperature: -10 °C to +70 °C

Technical specifications:

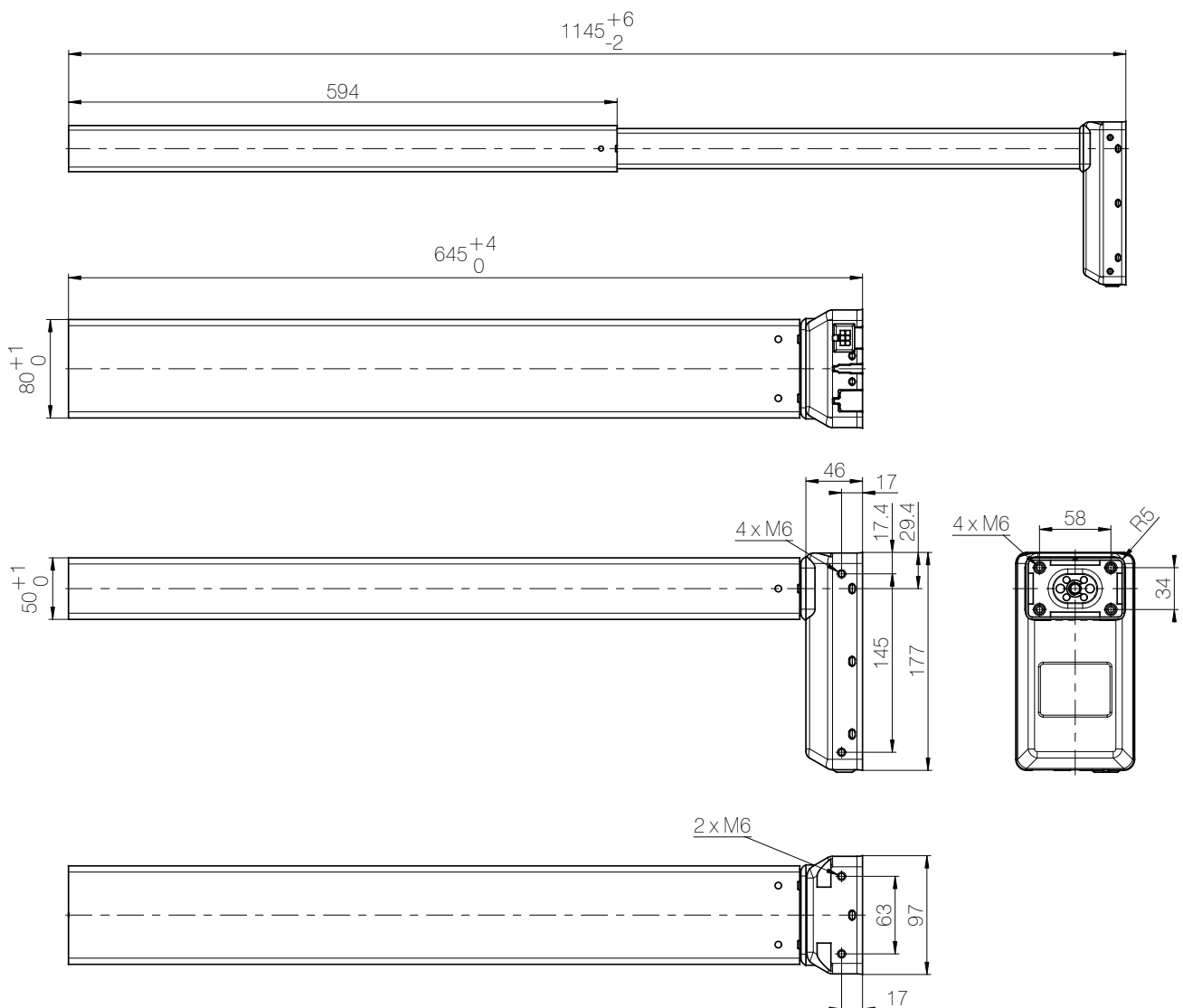
Type	Max. Thrust pr. DL (N)	Self-lock pr. DL (N)	Speed at 0 load (mm/s)	Duty cycle (%)	Spindle pitch (mm)	Stroke length (mm)	Built-in length (mm)
DL5	800	800	38	10	20	500 / 300	645 / 445

The measurements above are made in connection with the control box CBD6S.

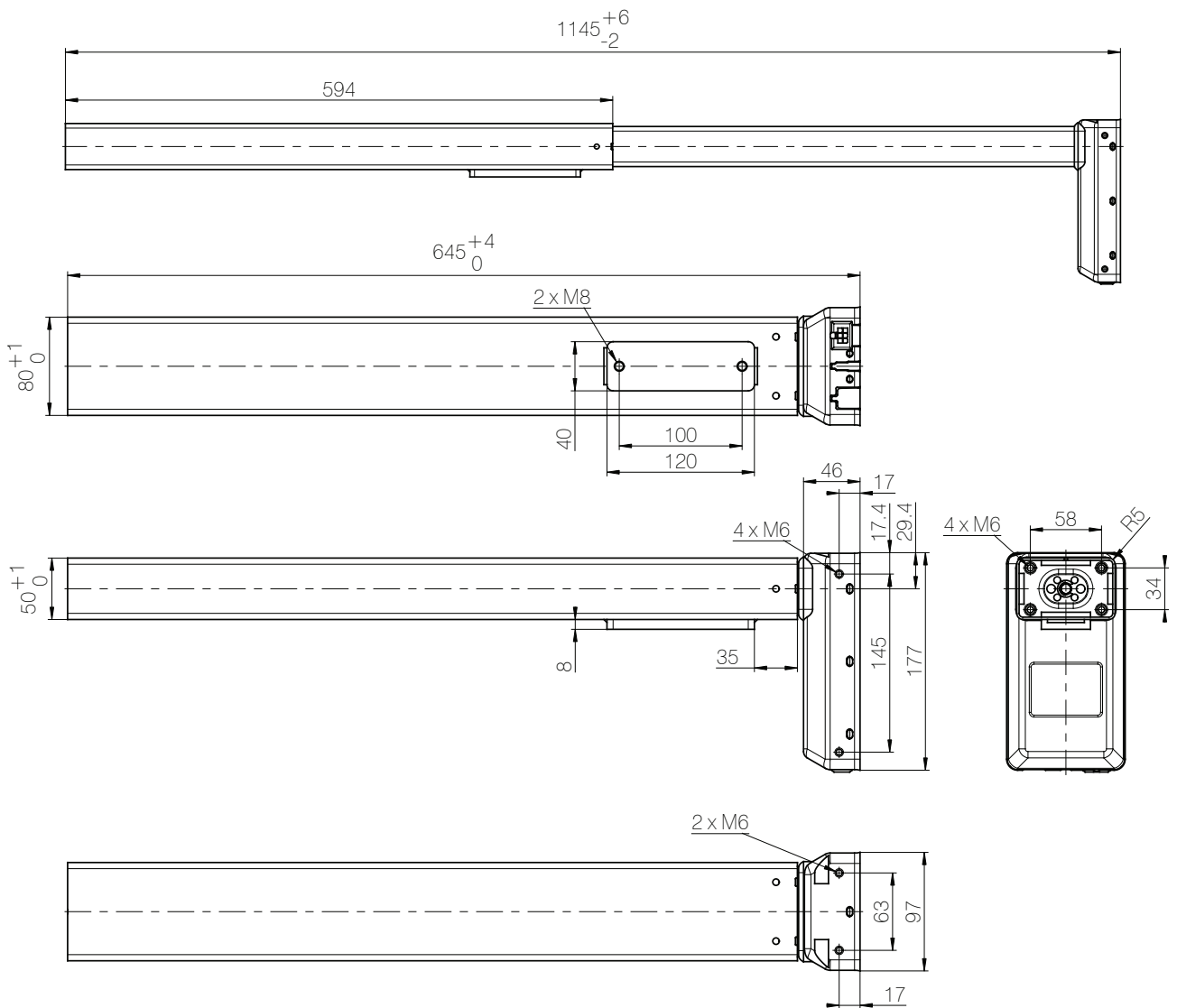
Dimensions:

At a fully retracted length of only 645 mm $+4/-0$ mm and a stroke length of 500 mm ± 2 mm it is possible for a standard system to obtain an adjustment interval of the table top of e.g. 680 – 1180 mm. Thus, the desk can be used for sitting as well as for standing type of work.

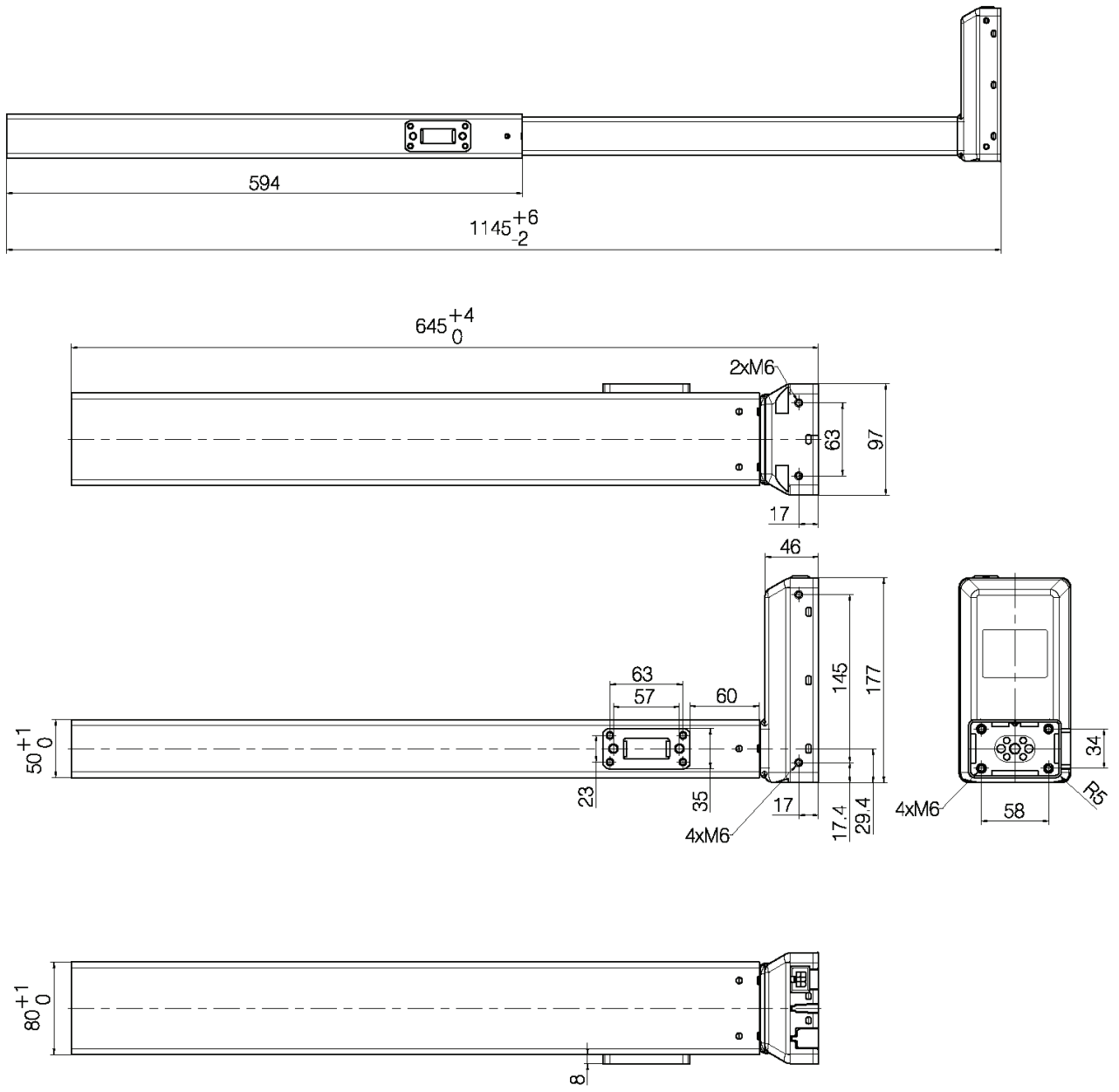
Dimensions, standard DL5 without bracket



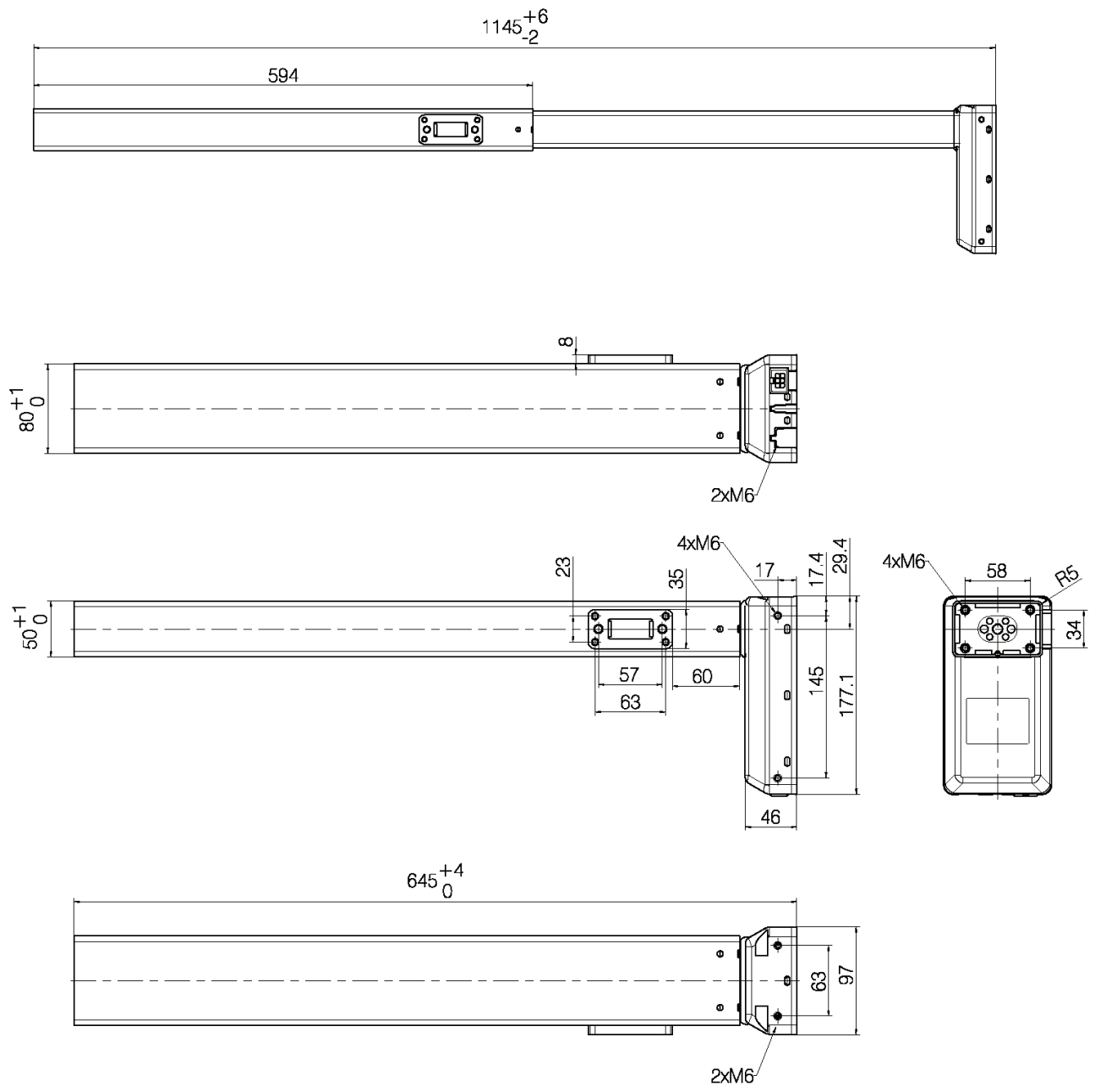
Dimensions, standard DL5 with bracket



Dimensions, standard DL5 with bench bracket
Left column

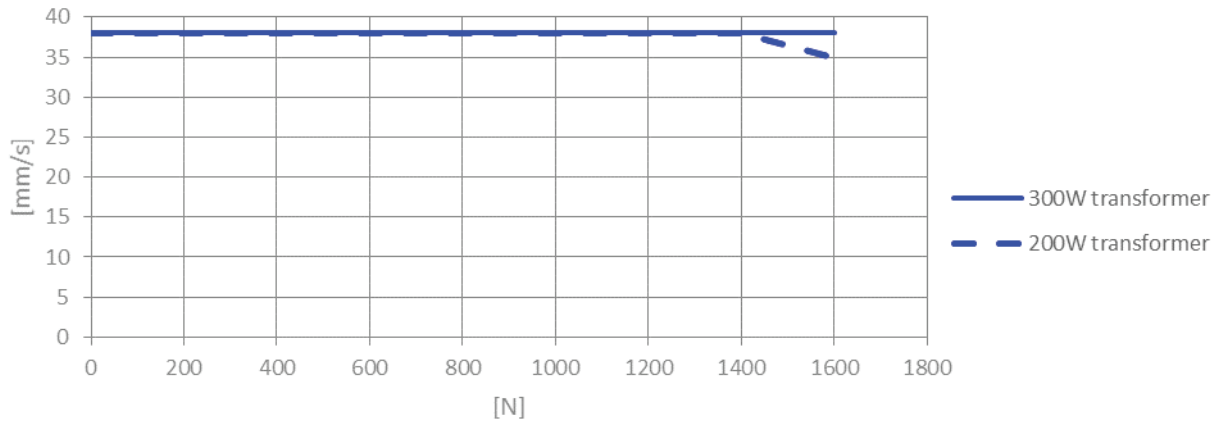


Dimensions, standard DL5 with bench bracket
Right column

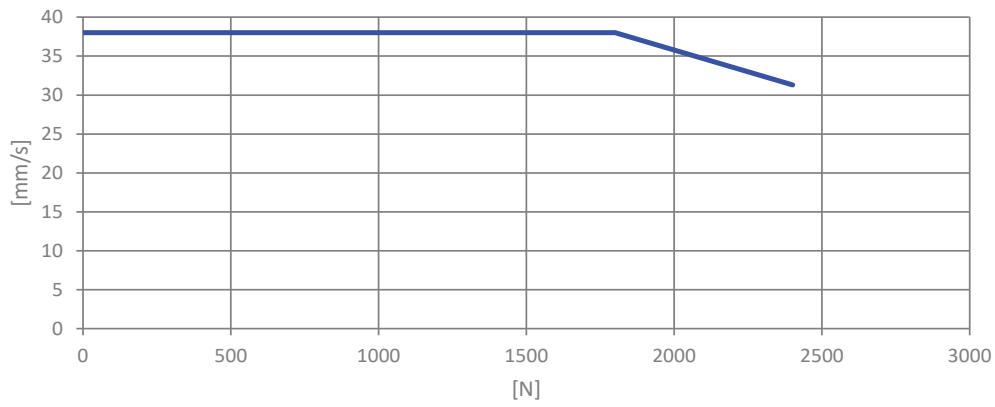


Curves for DL5 800N (20 mm spindle) with CBD6S

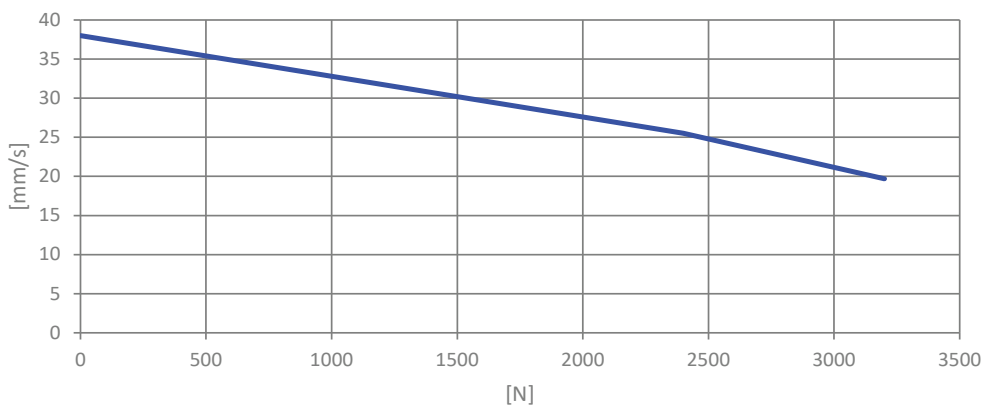
2 x DL5 (equally loaded) with CBD6S



3 x DL5 (equally loaded) with CBD6S



4 x DL5 (equally loaded) with CBD6S



DL5

Ordering example:

DL5	0	0	0	B	N	0	500	645	
									Installation dimension:
									645 = 645 mm (Standard) 445 = 445 mm
									Stroke length:
									500 = 500 mm (Standard) 300 = 300 mm
									Motor type:
									0 = Standard
									Option:
									N = Standard
									Colour:
									A = Grey RAL 9006 B = Black RAL 9005 D = White RAL 9016
									Mounting bracket:
									0 = None 1 = 120 x 40 x 8 mm (with 2 x M8) L = Bench bracket on left narrow side R = Bench bracket on right narrow side
									Plug:
									0 = 6-pole minifit plug
									Spindle type:
									0 = 20 mm pitch (Standard)
									Actuator type:
									DL5



All cables for creating a fully connected DESKLINE® system must be ordered separately. We offer a range of different versions and lengths. To get information as ordering number, colour and length of the cables, please contact your local LINAK.

Terms of use

The user is responsible for determining the suitability of LINAK products for specific application. LINAK takes great care in providing accurate and up-to-date information on its products.

However, due to continuous development in order to improve its products, LINAK products are subject to frequent modifications and changes without prior notice. Therefore, LINAK cannot guarantee the correct and actual status of said information on its products.

While LINAK uses its best efforts to fulfill orders, LINAK cannot, for the same reasons as mentioned above, guarantee the availability of any particular product. Therefore, LINAK reserves the right to discontinue the sale of any product displayed on its website or listed in its catalogues or other written material drawn up by LINAK.

All sales are subject to the Standard Terms of Sale and Delivery for LINAK. For a copy hereof, please contact LINAK.