



DESKLIFT™ DL4S
Data sheet

DESKLIFT™ DL4S

The DL4S is a DESKLINE® lifting column. The column is an optimum choice for a wide range of desk applications especially within the office area. The hallmark of the DL4S is the 3-stage inline design meaning that the motor is hidden inside the profiles giving the column a very sleek and elegant design easy to integrate in various desk designs. The 3-stage construction ensures a very low built-in dimension meaning that people of all heights can use the desk. The very low noise level ensures pleasant use when driving.



Features:

- Max. load 700 N per column
- Max speed: 38 mm/s unloaded
- Standard installation dimension: 560 mm
- Standard stroke length: 675 mm
- Bending moment: Max. 150 Nm dynamic
- Colour: Available in black (RAL 9005), grey (RAL 9006), or white (RAL 9016), all gloss 30
- Low and uniform noise level
- PVC-Free™ column
- Hall sensor (enables parallel drive with control boxes)

Option

- Bracket for crossbar

Usage

- Single or 2, 3, 4 parallel drive
- Multi-parallel is possible only when in combination with CBD6S
- Duty cycle: 10% ~ 1 minute continuous use at full load, followed by 9 minutes pause
- Ambient temperature: +5° to +40°C
- Storage and transport temperature -10°C to +70°C
- Compatible with DESKLINE control boxes and all DESKLINE® desk panels
- Complies with EN60335-1
- Complies with UL 962 with CBD6S

DL4S

Ordering example:

<u>DL4S</u>	<u>0</u>	<u>0</u>	<u>1</u>	<u>B</u>	<u>0</u>	<u>0</u>	<u>675</u>	<u>560</u>	
									Installation dimension: 560 = 560 mm
									Stroke length: 675 = 675 mm
									Motor/gear type: 0 = Standard
									Option: 0 = Standard
									Colour: A = Grey (RAL 9006) B = Black (RAL 9005) D = White (RAL 9016)
									Mounting bracket: 0 = None 1 = Standard
									Option: 0 = Standard
									Spindle type: 0 = 20 mm pitch (standard)

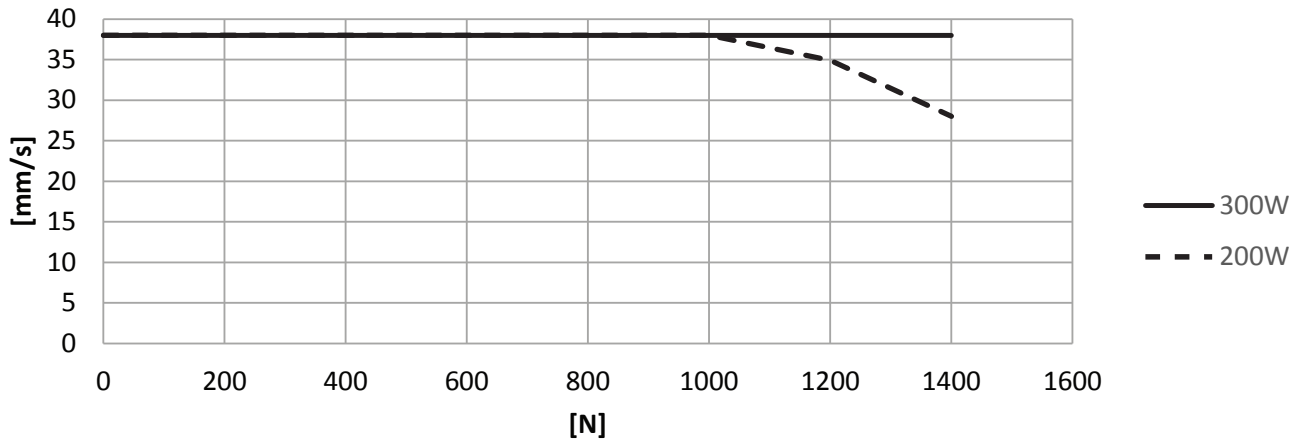


All cables for creating a fully connected DESKLINE system must be ordered separately. We offer a range of different versions and lengths. For more information as ordering number, colour and length of the cables, please contact your local LINAK.

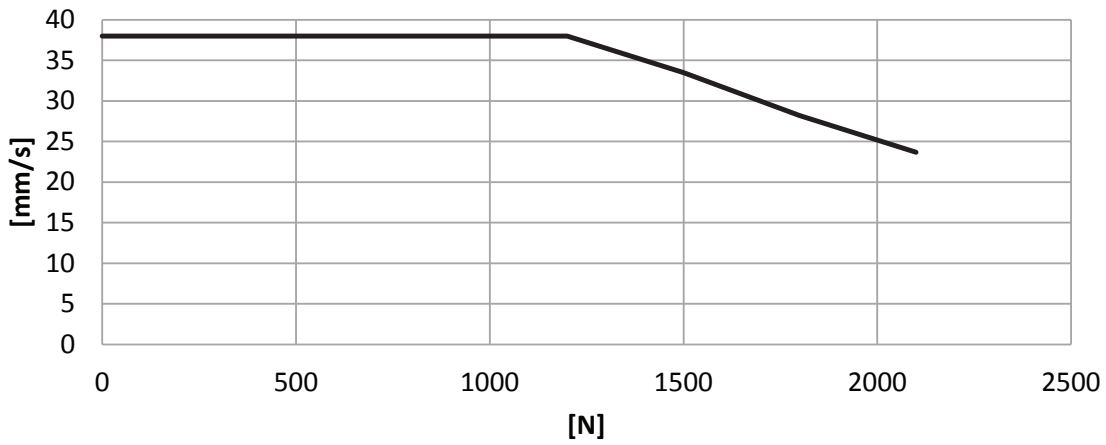
Ordering number for crossbar brackets (box containing 100 pcs.): 0611871

Performance curves

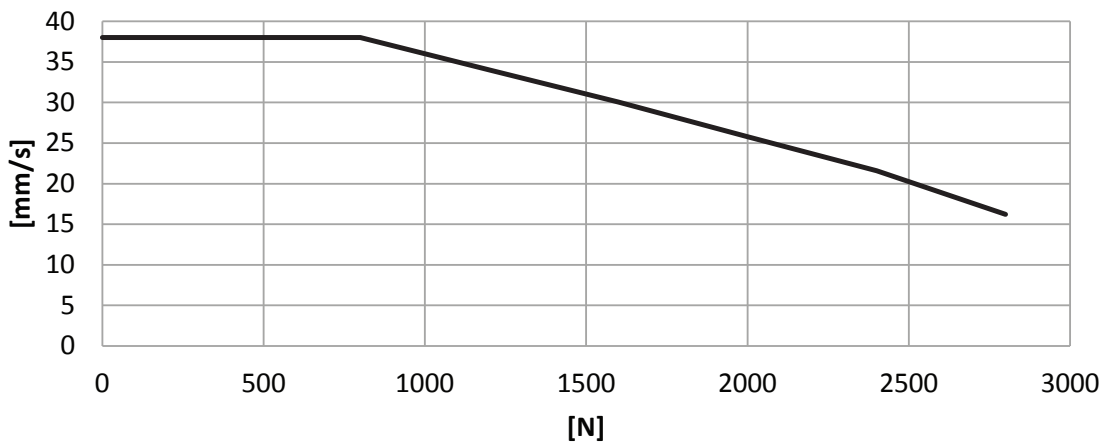
2 x DL45 (equally loaded) with CBD65



3 x DL45 (equally loaded) with CBD6S (300W)



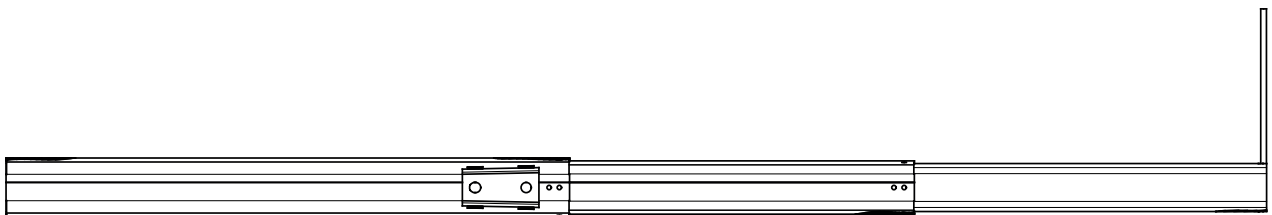
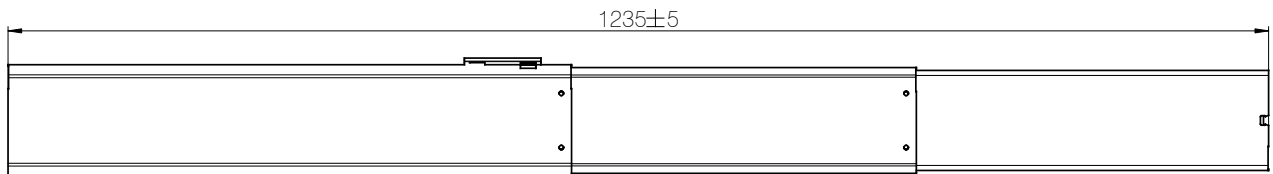
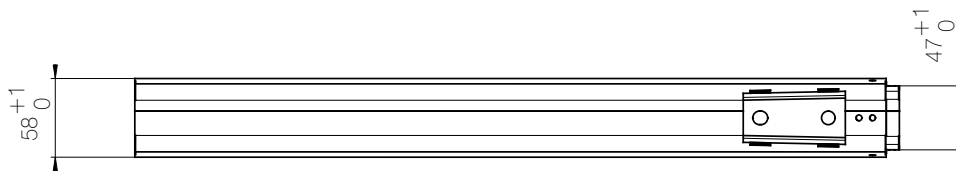
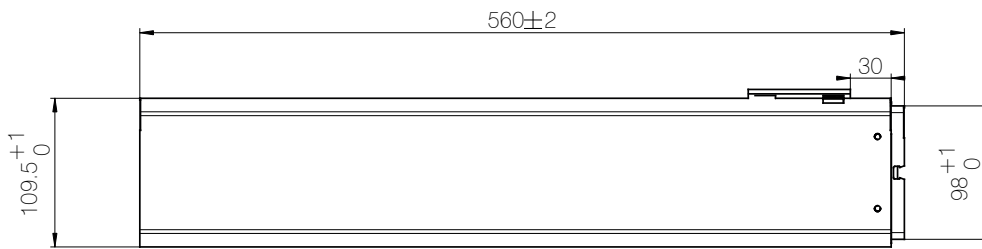
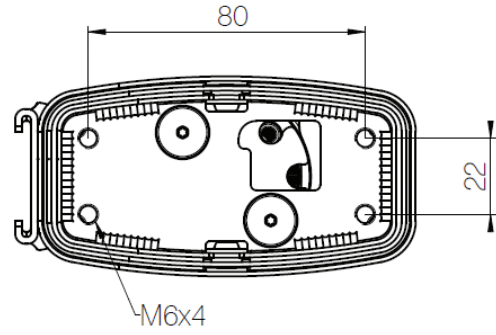
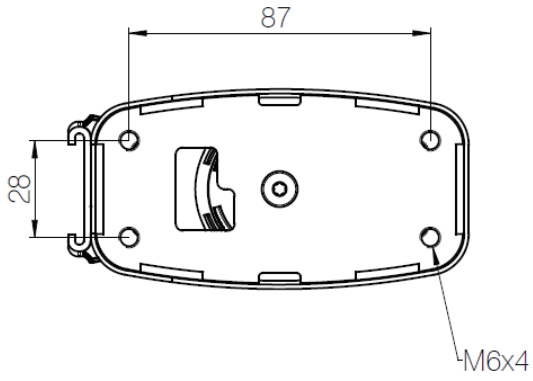
4 x DL45 (equally loaded) with CBD6S (300W)



Dimensions



All measurements are without powder coating



LINAK® accepts no responsibility for possible errors or inaccuracies in catalogues, brochures, and other material. LINAK reserves the right to change its products without prior notice. LINAK cannot guarantee product availability and reserves the right to discontinue the sale of any product. The user is responsible for determining the suitability of LINAK products for a specific application. All sales are subject to the 'Standard Terms of Sale and Delivery', available on LINAK websites.

LINAK and the LINAK logotype are registered trademarks of LINAK A/S. All rights reserved.