



DESKLIFT™ DL21 IC

Data sheet

DESKLIFT™ DL21 IC

The DESKLIFT™ DL21 IC (Integrated Controller) is a compact 3-part lifting column, based on the DL21 column. The DL21 IC is a perfect choice for adjustable economy office desks only using 2 columns but needing the maximum adjustment range. For benching desk solutions, the column is available with a bench bracket. The DL21 IC column is very sturdy, and the compact motor housing makes the column easy to integrate in various desk designs.

The DL21 is a PLUS™ column ensuring a clean design without visible gliding pads. The column is available in several colours, and trim rings for optimised appearance are available in black, grey or white.

An IC system consists of two columns, a master column and a follower column connected via a motor cable. The master column has a built-in control PCB; thus, no separate control box must be mounted in an IC system. The mains supply is an external SMPS (Switch Mode Power Supply) unit, and a variety of desk panels can be used for adjusting the desk. A Desk Sensor™ 1 anti-collision dongle can be added to the system to limit material damage to a desk or an object in case a collision occurs during driving of the desk.

A Desk Sensor™ 1 anti-collision dongle can be added to the system to limit material damage to a desk or an object in case a collision occurs during driving of the desk.



Features:

- PLUS™: No visible gliding pads
- Max. load: 500 N per column
- Max. speed: 38 mm/s
- Installation dimension: 560 mm
518 mm (BIFMA)
- Stroke length: 650 mm
665 mm (BIFMA)
- Weight: Approximately 8.5 kg per column
- Dimensions column: 60 x 90 mm (outer profile),
53.5 x 83.5 mm (middle profile) and 47 x 77 mm (inner profile)
- Dimension motor housing: 177 x 97 x 46 mm
- Four M6 and two M8 threaded holes in bottom plate for mounting of feet
- Colour: Available in black (RAL 9005), grey (RAL 9006) or white (RAL 9016)
- Low noise level

Options

- Available in custom colours
- Available with bench bracket
- Available with trim rings in black, grey or white

Usage

- 2 parallel drive with one DL21 IC master, one DL21 IC follower, and an external power supply (SMPS001 (230 V), SMPS002 (120 V) or SMPS006 (Universal))
- Duty cycle: 10 % ≈ 2 minutes continuous use at full load, followed by 18 minutes pause
- Ambient temperature: 10 to 40 °C
- Storage and transportation temperature: -10 to +70 °C
- Compatible with DESKLINE® controls
- Compatible with the Kick & Click™ top frame
- System compliance, see the Declaration of Conformity in the User Manual



Be aware that when a desk panel with display is used, the light intensity must be configured to 50% before use.

DL21 IC

Ordering example:

DL21	0	B	0	B	P	M	650	560	
									Installation dimension:
									560 = 560 mm
									518 = 518 mm (BIFMA)
									Stroke length:
									650 = 650 mm
									665 = 665 MM (BIFMA)
									Motor type:
									M = IC Master
									S = IC Follower
									Option:
									P = PLUS series
									Colour:
									A = Grey (RAL 9006)
									B = Black (RAL 9005)
									D = White (RAL 9016)
									Mounting bracket:
									0 = None
									L = Bench bracket on left narrow side (Follower)
									R = Bench bracket on right narrow side (Master)
									Trim rings:
									0 = No trim rings (Standard)
									A = Grey trim rings
									B = Black trim rings
									D = White trim rings
									Spindle type:
									0 = 20 mm pitch (Standard)



All cables for creating a fully connected DESKLINE® system must be ordered separately.

We offer a range of different versions and lengths, please contact LINAK for ordering number as well as cable colour and length.

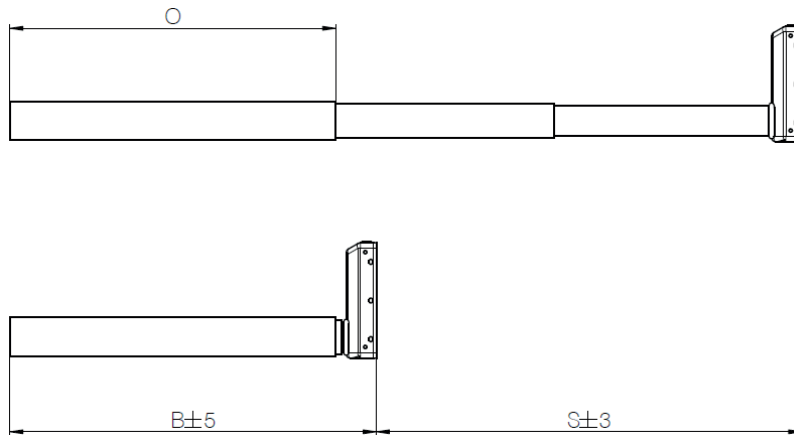


Please observe that the item numbers for columns with bench bracket will be created so that the master column will be on the right and the follower column on the left side of the desk, seen from the position of the user.

Dimensional drawings

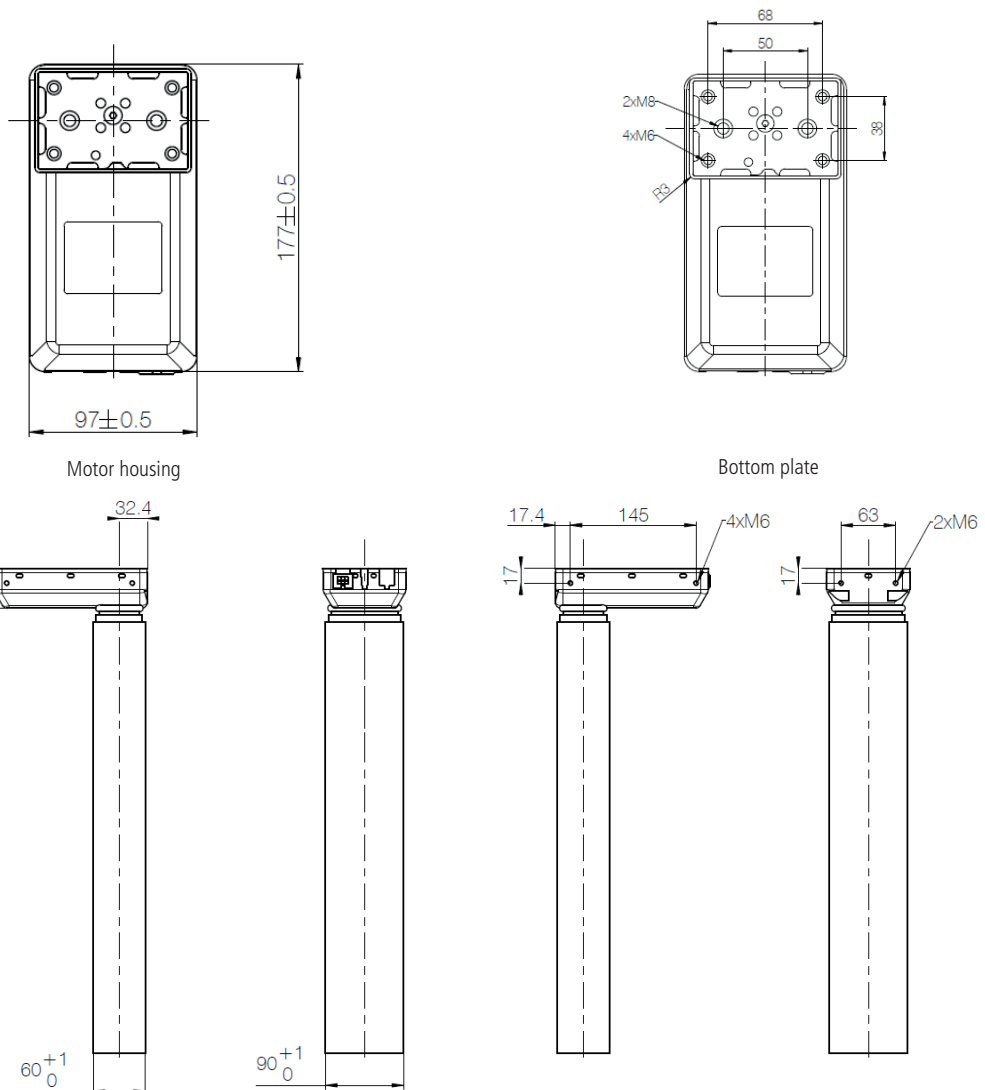


All measurements are without powder coating.



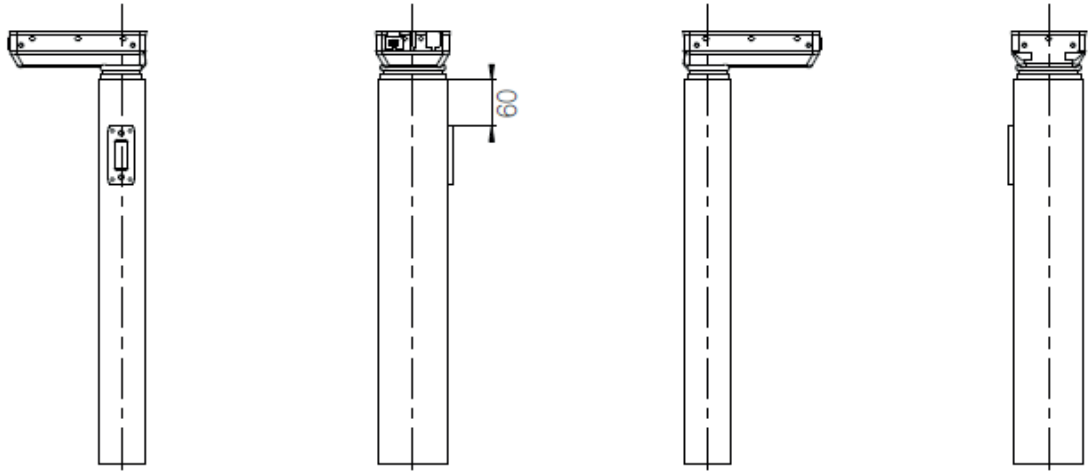
Version	Combination code	B (Built-in length) [mm]	S (Stroke length) [mm]	O (Outer profile length) [mm]
EU	DL21xxxxx650560	560	650	498
BIFMA	DL21xxxxx665518	518	665	456

DL21 built-in length, stroke length, and outer profile length (mm)

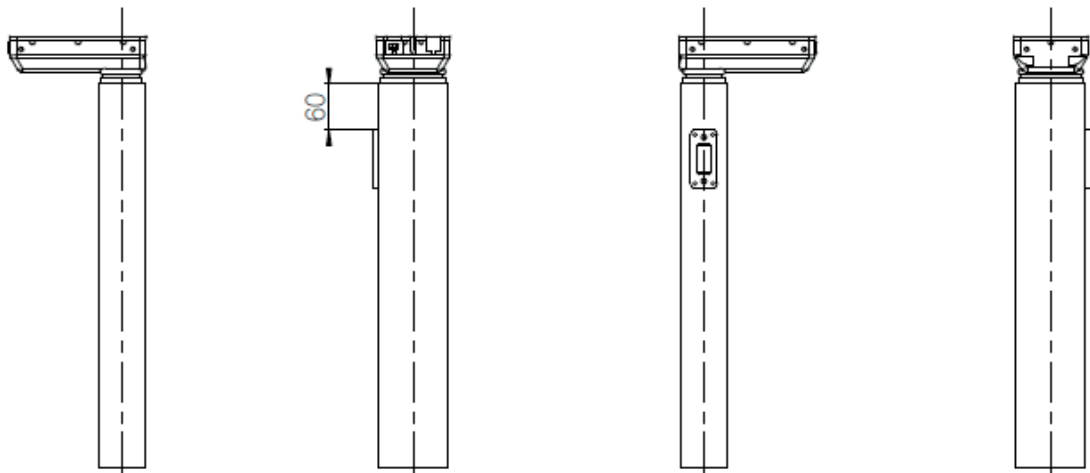


DL21 IC dimensions (mm)

Bench left

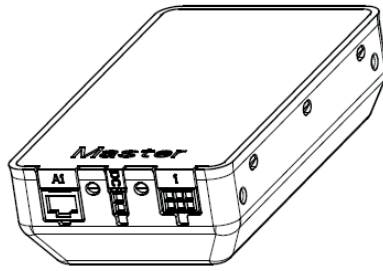


Bench right

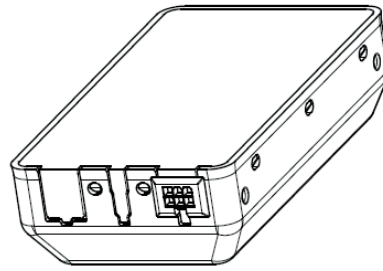


Combination code	Bench left	Bench right
DL21xxLxxSxxxxxx	X	
DL21xxRxxMxxxxxx		X

Bracket options (dimensions in mm)



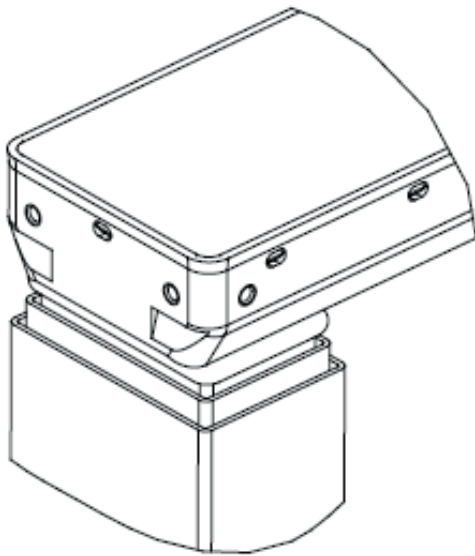
IC Master



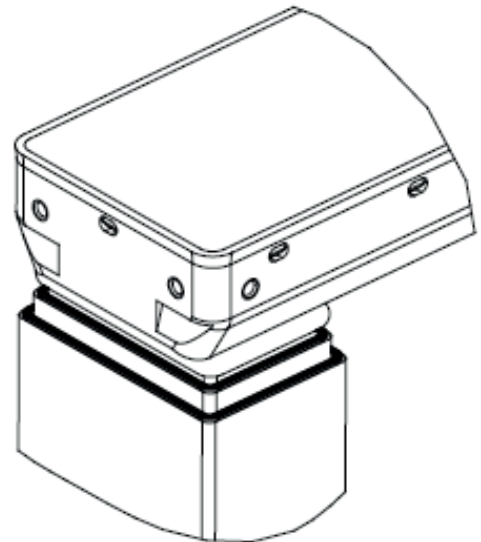
IC Follower

Combination code	Type
DL21xxxxMxxxxxx	IC Master
DL21xxxxSxxxxxx	IC Follower

Socket combination



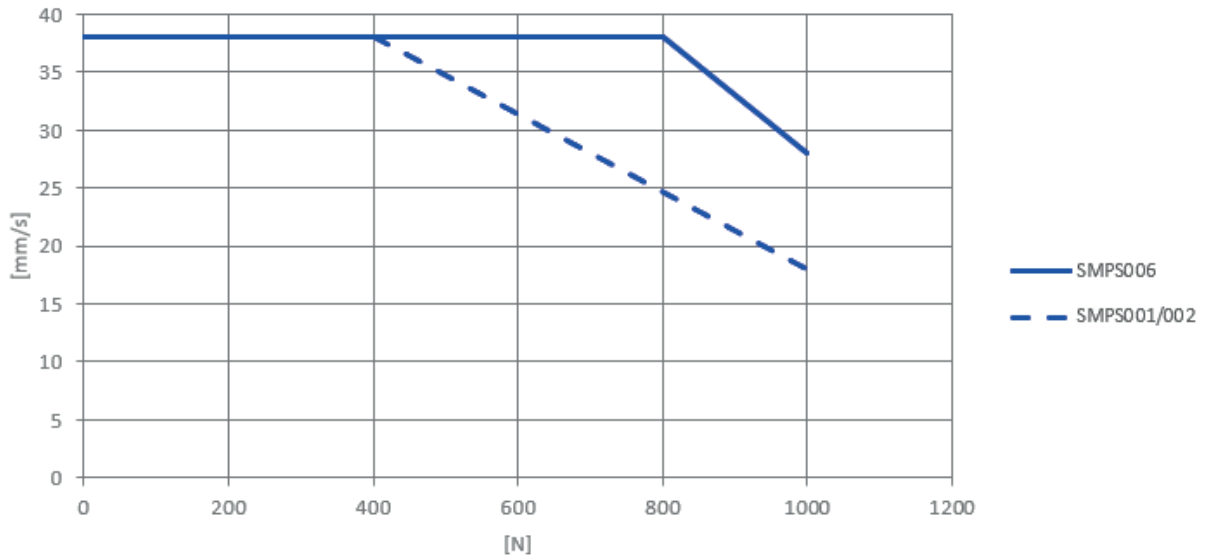
Without trim rings



With trim rings

Performance curves
DL21 IC with SMPS001/002/006

Two DL21 IC (equally loaded) with SMPS001/002/006



The data above is measured in connection with two DL21 IC lifting columns and SMPS001/002/006. The desk is driving upwards.



The curves above apply to a centrally placed load. With moment load, there will be increased friction in the columns, which will reduce the lifting force correspondingly.



The end-stop system in the DL21 IC is based on a buffer system, meaning that you must be aware of the lengths when initialising. The products must be able to drive:

- Inward direction: Installation dimension - tolerances – 5 mm
- Outward direction: Installation dimension + stroke length + tolerances + 5 mm

LINAK® accepts no responsibility for possible errors or inaccuracies in catalogues, brochures, and other material. LINAK reserves the right to change its products without prior notice. LINAK cannot guarantee product availability and reserves the right to discontinue the sale of any product. The user is responsible for determining the suitability of LINAK products for a specific application. All sales are subject to the 'Standard Terms of Sale and Delivery', available on LINAK websites.

LINAK and the LINAK logotype are registered trademarks of LINAK A/S. All rights reserved.