



DESKLIFT™ DL21
Data sheet

DESKLIFT™ DL21

The DESKLIFT™ DL21 is a compact three-part lifting column, perfect for a wide range of different height-adjustable desk applications; from industrial and technical work stations to sit-stand office desk. The three-part construction ensures a short installation dimension combined with a long stroke length making the DL21 the optimal choice for the desk no matter the height of the person using it.

The DL21 has a compact motor housing, which is almost invisible in the tabletop construction, and it can be used with the Kick & Click top frame. The column is very sturdy due to its 60 x 90 mm profile size. The DL21 is a PLUS™ column ensuring a clean design without visible gliding pads. The column is available in several colours, and trim rings for optimised appearance are available in black, grey or white.

The wide DL21 product programme offers various options such as:

- PIEZO™ (collision protection) minimising the risk of damage to a desk caused by collision with an obstacle
- versions for bench solutions

The DL21 system is controlled by a DESKLINE® control box (CBD). The control box ensures optimal parallel drive and a pleasantly low noise level. The DL21 can be used as a single column, with 2, 3 or 4 columns in parallel systems, or up to 16 columns in multi-parallel systems. A Desk Sensor™ 1 anti-collision dongle can be plugged into the control box to limit material damage to a desk or an object in case a collision occurs during driving of the desk.



Features:

- PLUS™: No visible gliding pads
- Max. load 800 N per column (standard)
- Max. speed 38 mm/s unloaded
- Installation dimension: 560 mm (standard) and 518 mm (BIFMA)
- Stroke length: 650 mm (standard) and 665 mm (BIFMA)
- Weight: Approximately 8.5 kg per column
- Dimensions column: 60 x 90 mm (outer profile), 53.5 x 83.5 mm (middle profile) and 47 x 77 mm (inner profile)
- Dimension motor housing: 177 x 97 x 46 mm
- Four M6 and two M8 threaded holes in bottom plate for mounting of feet
- Bending moment: $M_y = \max. 150 \text{ Nm dynamic}$
- Colour: Available in black (RAL 9005), grey (RAL 9006) or white (RAL 9016)
- Low noise level

Options:

- PIEZO™: Integrated sensor minimising the risk of damage to a desk caused by squeezing or blocking it in upward or downward direction
- Available in custom colours
- Available with bench bracket
- Available with trim rings in black, grey or white

Usage:

- Single or 2, 3 or 4 parallel drive or even multi-parallel with up to 16 columns
- Duty cycle: 10% ~ 2 minutes continuous use at full load, followed by 18 minutes pause
- Ambient temperature: 10 to 40 °C
- Storage and transportation temperature: -10 to +70 °C
- Compatible with DESKLINE® control boxes, all DESKLINE® controls, and Desk Sensor™ 1
- Compatible with the Kick & Click™ top frame
- Complies with EN 60335-1 and UL 962

DL21

Ordering example:

DL21	0	0	0	B	P	0	650	560	
									Installation dimension:
									560 = 560 mm
									518 = 518 mm (BIFMA)
									Stroke length:
									650 = 650 mm
									665 = 665 MM (BIFMA)
									Motor type:
									0 = Standard
									E = PIEZO + IID
									Option:
									P = PLUS series
									Colour:
									A = Grey (RAL 9006)
									B = Black (RAL 9005)
									D = White (RAL 9016)
									Mounting bracket:
									0 = None
									L = Bench bracket on left narrow side
									R = Bench bracket on right narrow side
									Trim rings:
									0 = No trim rings
									A = Grey trim rings
									B = Black trim rings
									D = white trim rings
									Spindle type:
									0 = 20 mm pitch



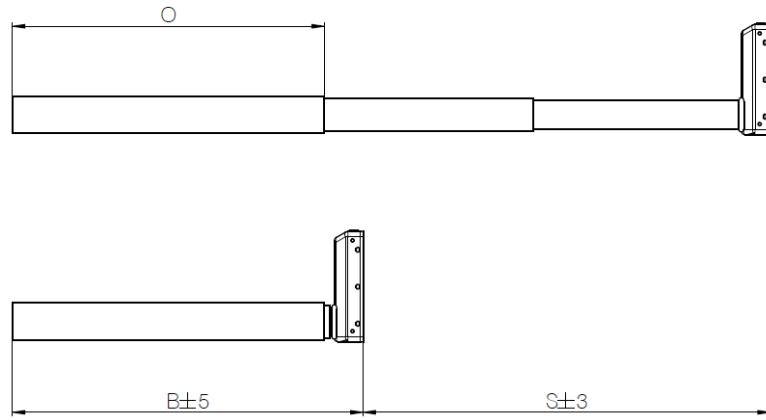
All cables for creating a fully connected DESKLINE® system must be ordered separately.
We offer a range of different versions and lengths.

For more information as ordering number, colour and length of the cables - please contact your local LINAK.

Dimensional drawings

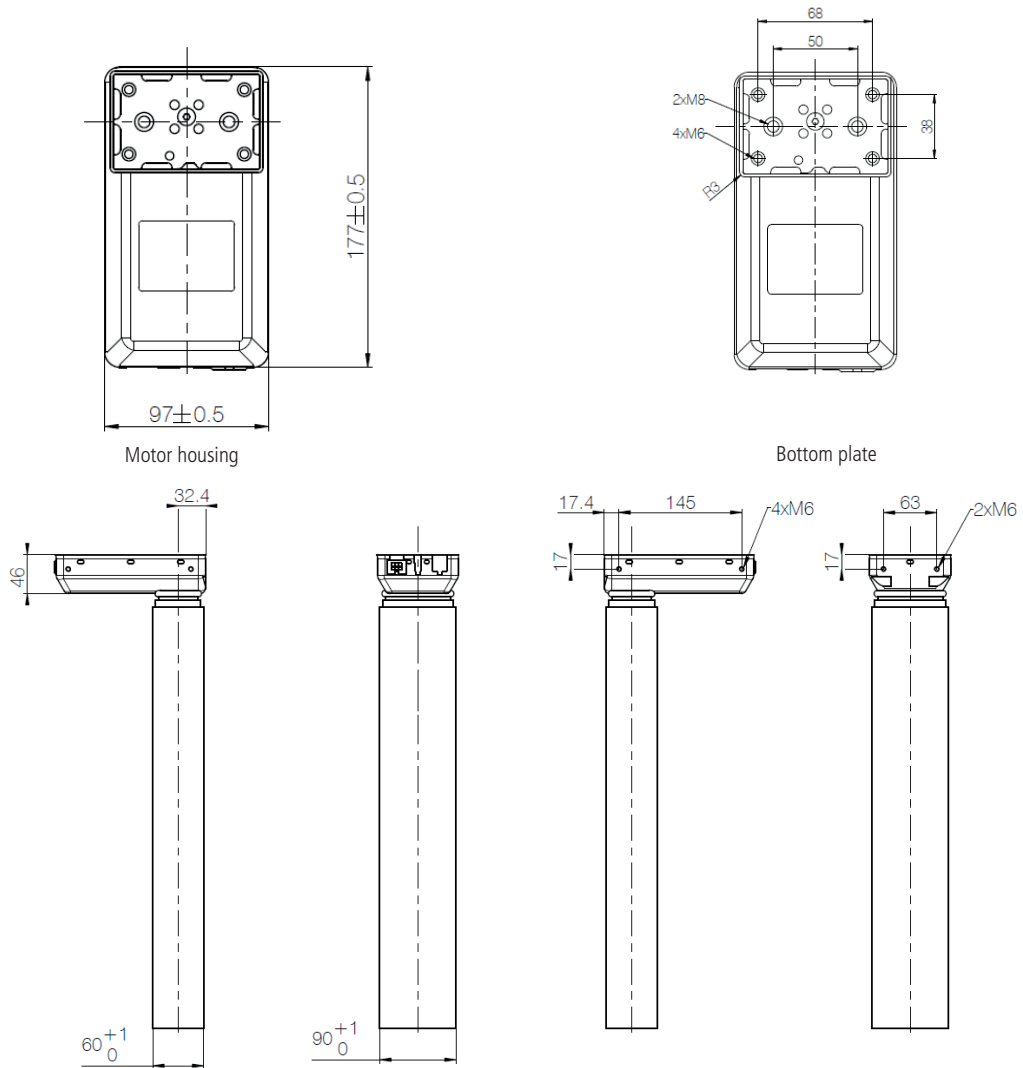


All measurements are without powder coating.



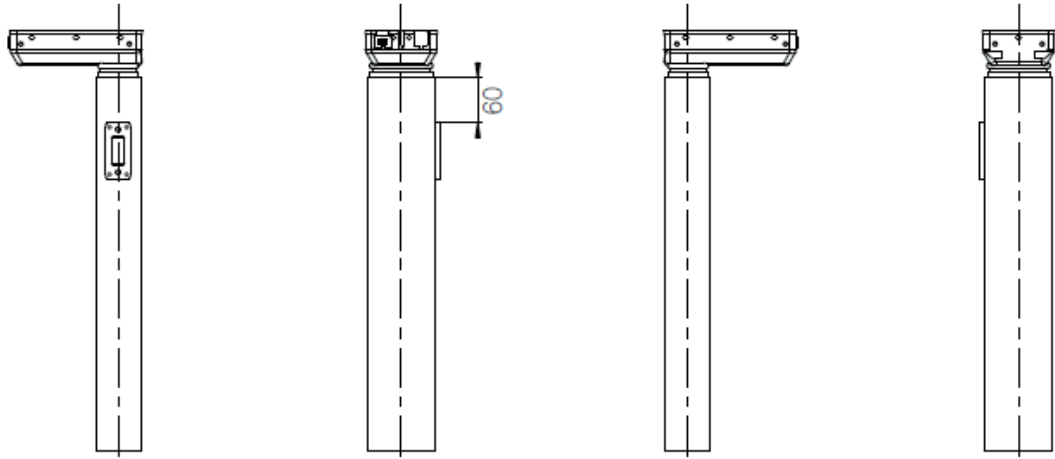
Version	Combination code	B (Built-in length) [mm]	S (Stroke length) [mm]	O (Outer profile length) [mm]
EU	DL21xxxxx650560	560	650	498
BIFMA	DL21xxxxx665518	518	665	456

DL21 built-in length, stroke length, and outer profile length (mm)

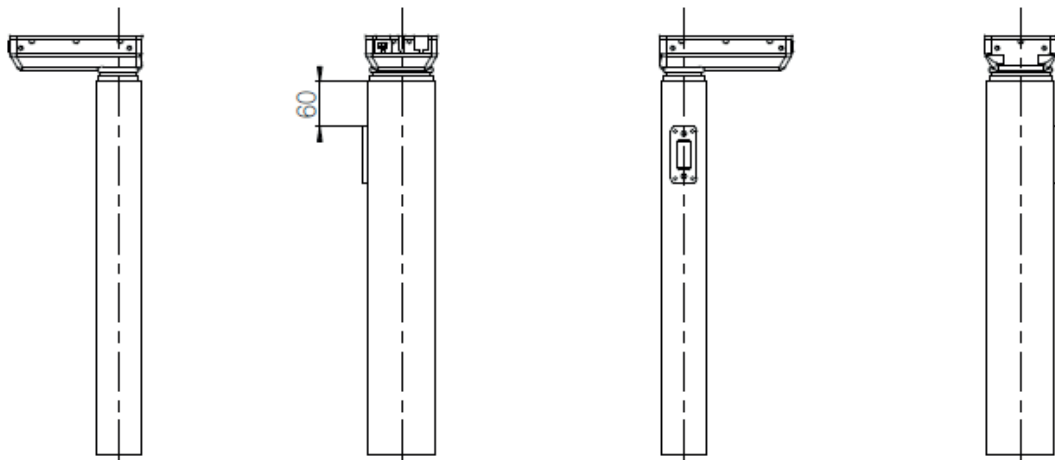


DL21 dimensions (mm)

Bench left

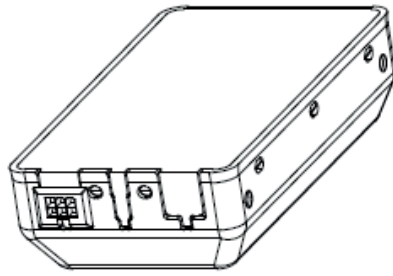


Bench right



Combination code	Bench left	Bench right
DL21xxLxxxxxxxx	X	
DL21xxRxxxxxxxx		X

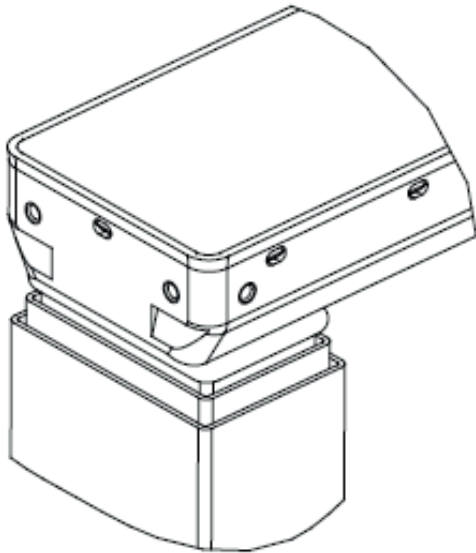
Bracket options (dimensions in mm)



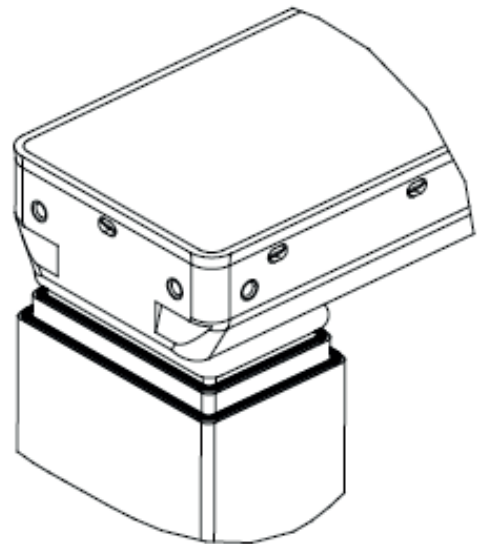
Standard

Combination code	Type
DL21xxxxxxxxxx	Standard

Socket combination



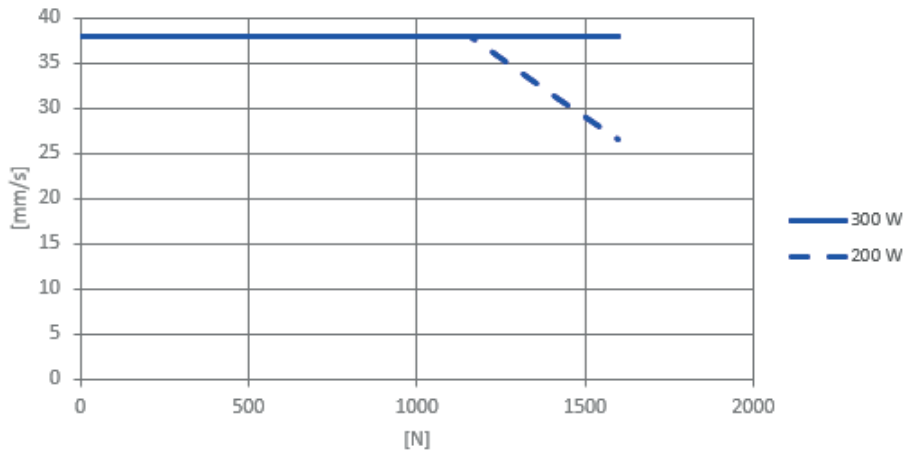
Without trim rings



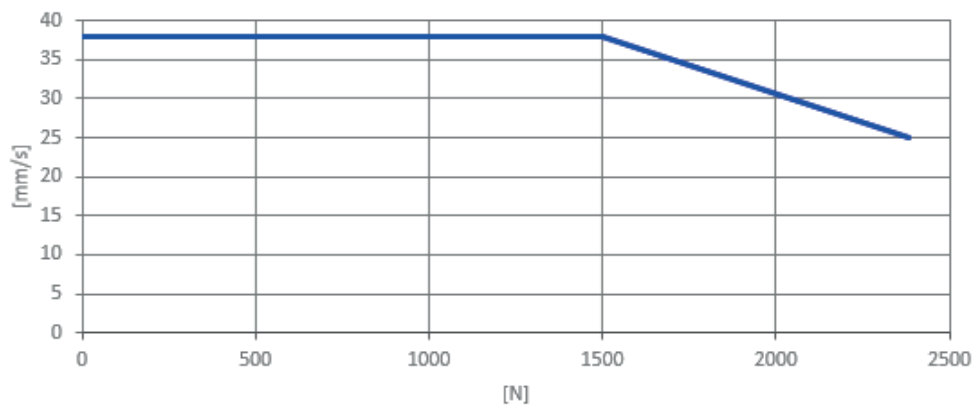
With trim rings

Performance curves
DL21 with CBD6S

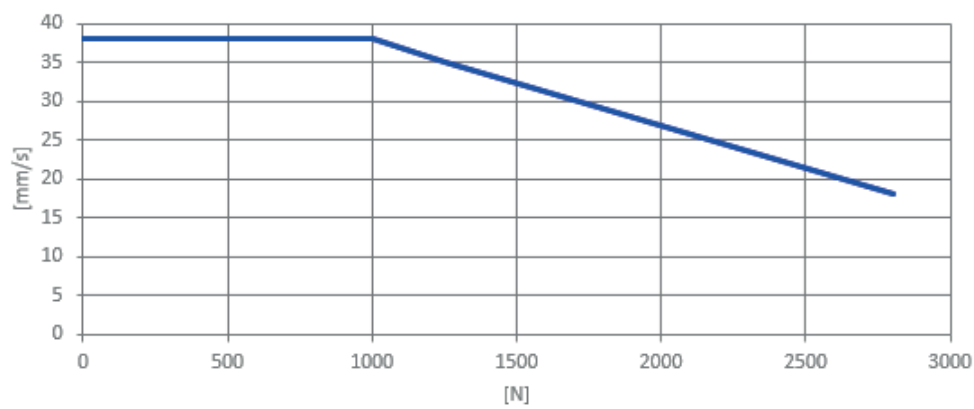
Two DL6/9/11/16/19/21 (equally loaded) with CBD6S



Three DL6/9/11/16/19/21 (equally loaded) with CBD6S



Four DL6/9/11/16/19/21 (equally loaded) with CBD6S



The data above is measured in connection with two to four DL21 lifting columns and Control Box CBD6S. The desk is driving upwards.



The curves above apply to a centrally placed load. With moment load, there will be increased friction in the columns, which will reduce the lifting force correspondingly.

LINAK® accepts no responsibility for possible errors or inaccuracies in catalogues, brochures, and other material. LINAK reserves the right to change its products without prior notice. LINAK cannot guarantee product availability and reserves the right to discontinue the sale of any product. The user is responsible for determining the suitability of LINAK products for a specific application. All sales are subject to the 'Standard Terms of Sale and Delivery', available on LINAK websites.

LINAK and the LINAK logotype are registered trademarks of LINAK A/S. All rights reserved.