



DESKLIFT™ DL20 IC
Data sheet

DESKLIFT™ DL20 IC

The DESKLIFT™ DL20 IC (Integrated Controller) is a compact two-part lifting column. The DL20 IC is a perfect choice for adjustable economy office desks using only two columns and requiring a stroke length of maximum 500 mm. The DL20 IC lifting column has the same outer dimensions as the threepart DL21 IC column. For benching desk solutions, the column is available with a bench bracket. The DL20 IC column is very sturdy for which reason a crossbar is not necessary, and the compact motor housing makes the column easy to integrate in various desk designs.

The DL20 IC is a PLUS™ column ensuring a clean design without gliding pads. The column is available in three standard colours (black, grey and white) - and can optionally be delivered in other colours. Trim rings for optimised appearance are available in black, grey or white.

An IC system consists of two columns, a master column and a follower column connected via a motor cable. The master column has a built-in control PCB; thus, no separate control box must be mounted in an IC system. The mains supply is an external SMPS (Switch Mode Power Supply) unit, and a variety of desk panels can be used for adjusting the desk. A Desk Sensor™ 1 anti-collision dongle can be added to the system to limit material damage to a desk or an object in case a collision occurs during driving of the desk.



Features:

- Two-part motor-housing column
- PLUS™: No visible gliding pads
- Max. load: 500 N per column
- Max. speed: 38 mm/s unloaded
- Standard installation dimension: 645 mm
- Standard stroke length: 500 mm
- Weight: Approximately 6.8 kg per column
- Dimensions column: 60 x 90 mm (outer profile), 53.5 x 83.5 mm (inner profile). See also Dimensional drawings.
- Dimension motor housing: 177 x 97 x 46 mm
- Colour: Available in black (RAL 9005), grey (RAL 9006) or white (RAL 9016)
- Low noise level

Options

- Available in custom colours
- Available with trim rings in black, grey or white
- Available with bench bracket

Usage

- 2 parallel drive with one DL20 IC Master and one DL20 IC Follower, and an external power supply (SMPS001 (230 V), SMPS002 (120 V) or SMPS006 (Universal))
- Duty cycle: 10% ≈ 2 minutes continuous use at full load, followed by 18 minutes pause
- Ambient temperature: 10 to 40 °C
- Storage and transportation temperature: -10 to +70 °C
- Compatible with DESKLINE® controls
- Compatible with the Kick & Click™ top frame
- System compliance, see the Declaration of Conformity in the User Manual



Be aware that when a desk panel with display is used, the light intensity must be configured to 50% before use.

DL20 IC

Ordering example:

DL20	0	0	0	B	P	M	500	645	
									Installation dimension: 645 = 645 mm
									Stroke length: 500 = 500 mm
									Motor type: M = IC Master S = IC Follower
									Option: P = PLUS series
									Colour: A = Grey (RAL 9006) B = Black (RAL 9005) D = White (RAL 9016)
									Mounting bracket: 0 = None L = Bench bracket on left narrow side (Follower) R = Bench bracket on right narrow side (Master)
									Trim rings: 0 = No trim ring A = Grey trim ring B = Black trim ring D = White trim ring
									Spindle type: 0 = 20 mm pitch



All cables for creating a fully connected DESKLINE® system must be ordered separately.

We offer a range of different versions and lengths.

To get information such as ordering number, colour, and length of the cables, please contact your local LINAK.

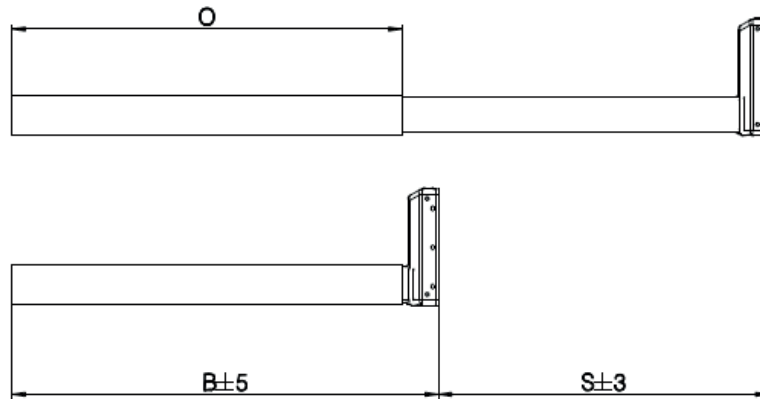


Please observe that the item numbers for columns with bench bracket will be created so that the master column will be on the right and the follower column on the left side of the desk, seen from the position of the user.

Dimensional drawings

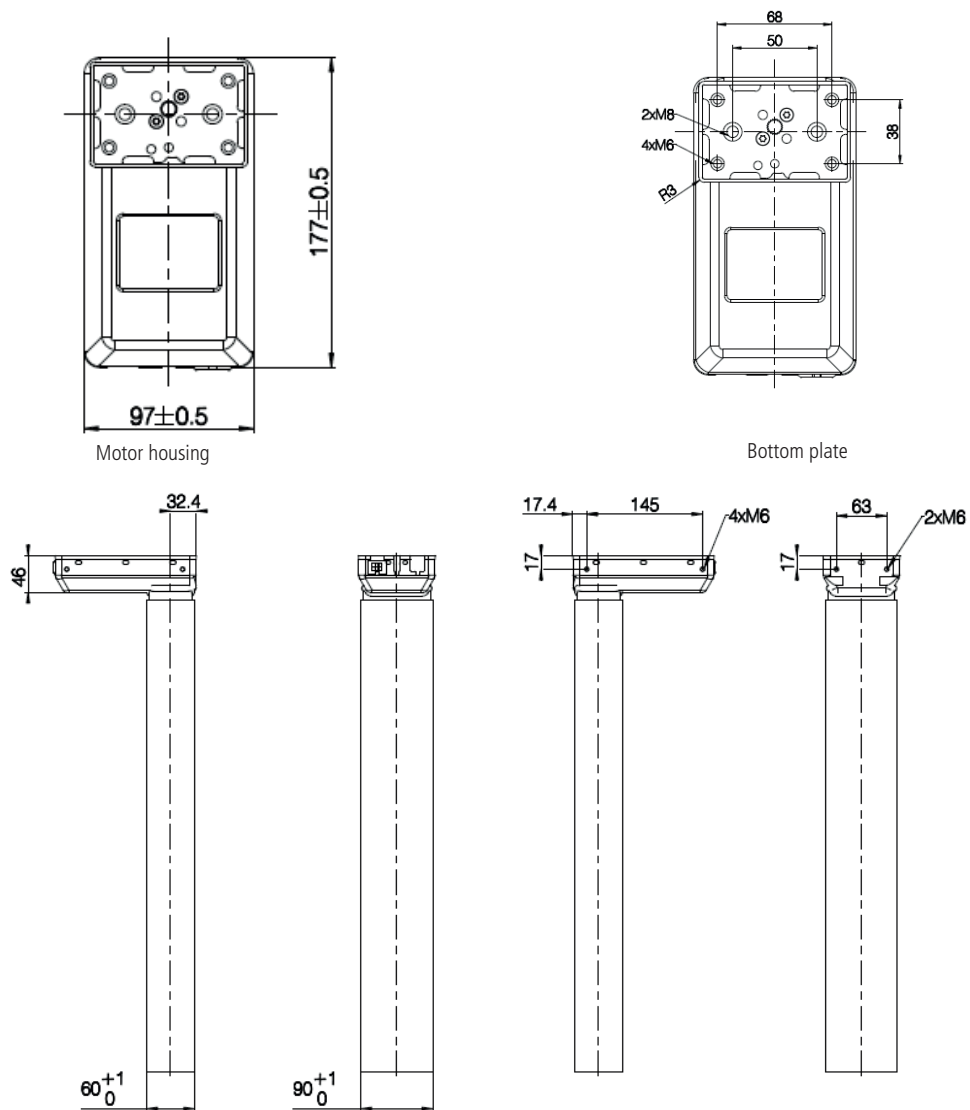


All measurements are without powder coating.



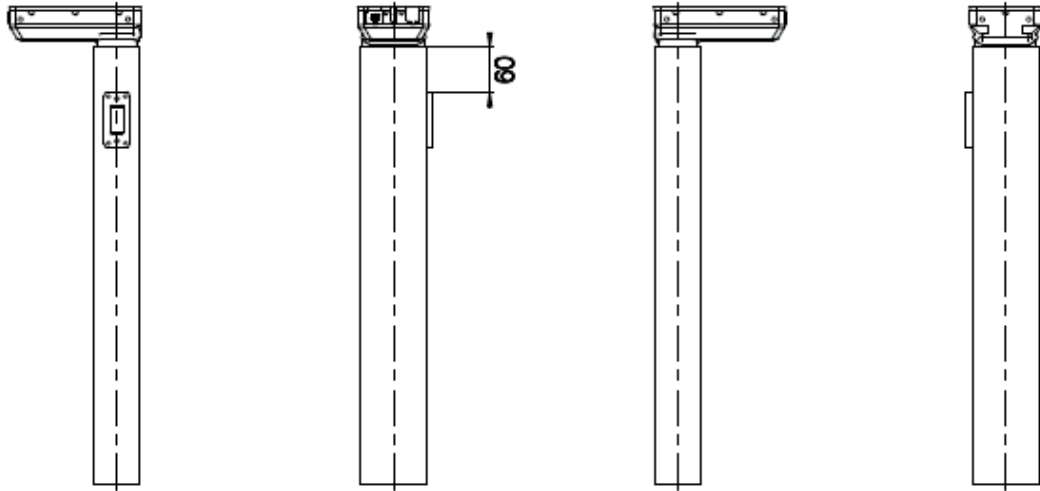
Version	Combination code	B (Built-in length) [mm]	S (Stroke length) [mm]	O (Outer profile length) [mm]
EU	DL20xxxxx500645	645	500	590

DL20 IC built-in length, stroke length, and outer profile length (mm)

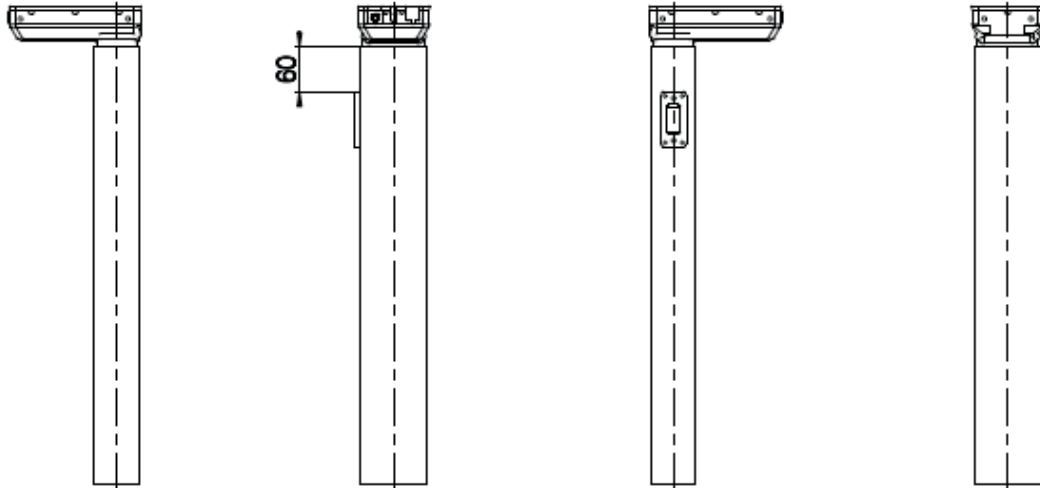


DL20 IC dimensions (mm)

Bench left

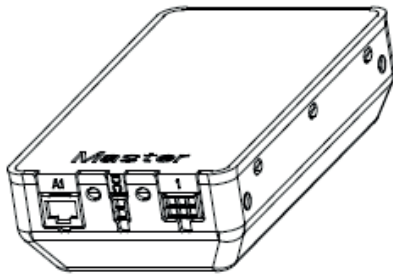


Bench right

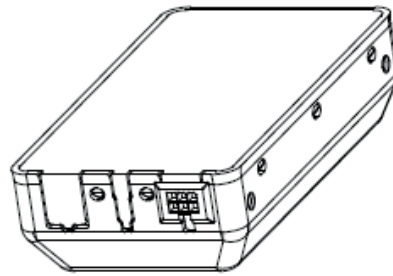


Combination code	Bench left	Bench right
DL20xxLxxSxxxxxx	X	
DL20xxRxxMxxxxxx		X

Bracket options (dimensions in mm)



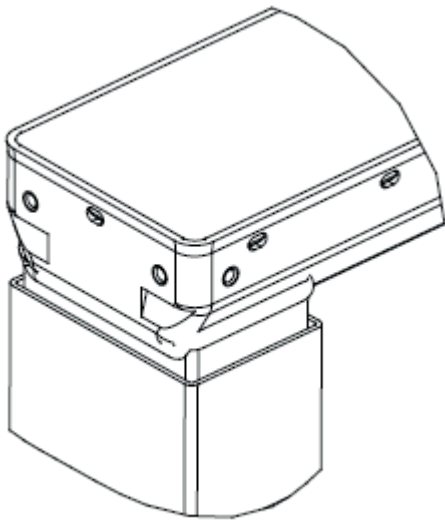
IC Master



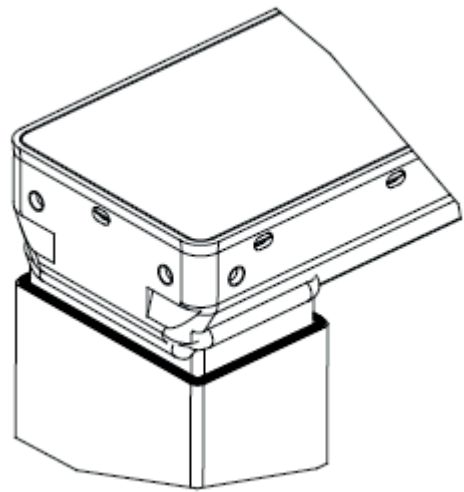
IC Follower

Combination code	Type
DL20xxxxMxxxxxx	IC Master
DL20xxxxSxxxxxx	IC Follower

Socket combination



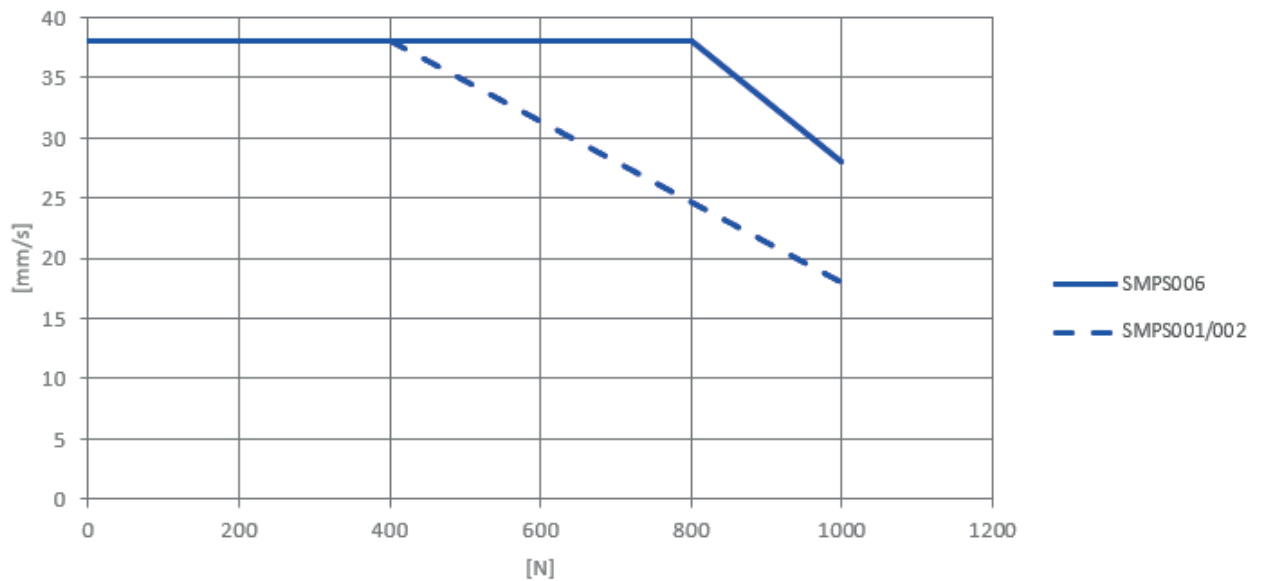
Without trim ring



With trim ring

Performance curves
DL20 IC with SMPS001/002/006

Two DL 20 IC (equally loaded) with SMPS001/002/006



The data above is measured in connection with two DL20 IC lifting columns and SMPS001/002/006. The desk is driving upwards.



The curves above apply to a centrally placed load. With moment load, there will be increased friction in the columns, which will reduce the lifting force correspondingly..



The end-stop system in the DL20 IC is based on a buffer system, meaning that you must be aware of the lengths when initialising. The products must be able to drive:

- Inward direction: Installation dimension - tolerances – 5 mm
- Outward direction: Installation dimension + stroke length + tolerances + 5 mm

LINAK® accepts no responsibility for possible errors or inaccuracies in catalogues, brochures, and other material. LINAK reserves the right to change its products without prior notice. LINAK cannot guarantee product availability and reserves the right to discontinue the sale of any product. The user is responsible for determining the suitability of LINAK products for a specific application. All sales are subject to the 'Standard Terms of Sale and Delivery', available on LINAK websites.

LINAK and the LINAK logotype are registered trademarks of LINAK A/S. All rights reserved.