



DESKLIFT™ DL20
Data sheet

DESKLIFT™ DL20

The DESKLIFT™ DL20 is a compact two-part lifting column, which is a perfect choice for a wide range of different desk applications; from industrial and technical work stations to sit-stand office desk.

The DL20 has a compact motor housing, which is almost invisible in the tabletop construction. The column is very sturdy for which reason a crossbar is not necessary. The DL20 has the same outer dimensions as the three-part DL21 column, which make them compatible and they can be used in the same tabletop and table foot construction.

The DL20 is a PLUS™ column ensuring a clean design without gliding pads. The column is available in three standard colours (black, grey and white) - and can optionally be delivered in other colours. Trim rings for optimised appearance are available in black, grey or white.

The DL20 system is controlled by the DESKLINE® control box (CBD). The control box ensures optimal parallel drive and a pleasantly low noise level. The DL20 can be used as a single column or with 2, 3 or 4 columns in parallel systems, or up to 16 columns in multi-parallel systems. A Desk Sensor™ 1 anticollision dongle can be added to the system to limit material damage to a desk or an object in case a collision occurs during driving of the desk.



Features:

- Two-part motor-housing column
- PLUS™: No visible gliding pads
- Max. load: 800 N per column
- Max. speed: 38 mm/s unloaded
- Standard installation dimension: 645 mm
- Standard stroke length: 500 mm
- Weight: Approximately 7.0 kg per column
- Dimensions column: 60 x 90 mm (outer profile) and 53.5 x 83.5 mm (inner profile). See also Dimensional drawings
- Dimension motor housing: 177 x 97 x 46 mm
- Bending moment: $M_y = \max. 150 \text{ Nm}$ dynamic
- Colour: Available in black (RAL 9005), grey (RAL 9006) or white (RAL 9016)
- Hall sensor enabling parallel drive with DESKLINE® control boxes
- Low noise level

Options:

- Available in custom colours
- Available with trim rings in black, grey or white
- Available with bench bracket

Usage:

- Single or 2, 3 or 4 parallel drive or even multi-parallel with up to 16 columns
- Duty cycle: 10% \approx 2 minutes continuous use at full load followed by 18 minutes pause
- Ambient temperature: 10 to 40 °C
- Storage and transportation temperature: -10 to +70 °C
- Compatible with DESKLINE® control boxes and all DESKLINE® controls
- Compatible with the Kick & Click™ top frame
- System compliance, see the Declaration of Conformity in the User Manual

With a fully retracted length of 645 mm and a stroke length of 500 mm, it is possible for a standard system to obtain an adjustment range of the tabletop from e.g. 680 to 1180 mm. Thus, the desk can be used for sitting as well as for standing types of work.

DL20

Ordering example:

DL20	0	0	0	B	P	0	500	645	
									Installation dimension: 645 = 645 mm (Standard)
									Stroke length: 500 = 500 mm (Standard)
									Motor type: 0 = Standard
									Option: P = PLUS series
									Colour: A = Grey (RAL 9006) B = Black (RAL 9005) D = White (RAL 9016)
									Mounting bracket: 0 = None L = Bench bracket on left narrow side R = Bench bracket on right narrow side
									Trim rings: 0 = No trim ring A = Grey trim ring B = Black trim ring D = white trim ring
									Spindle type: 0 = 20 mm pitch



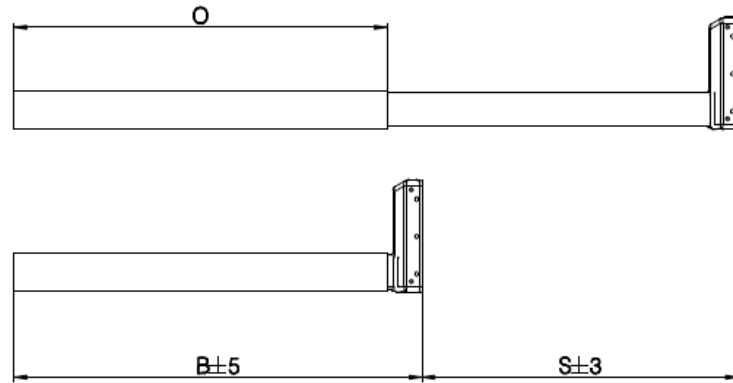
All cables for creating a fully connected DESKLINE® system must be ordered separately.
We offer a range of different versions and lengths.

To get information such as ordering number, colour, and length of the cables, please contact your local LINAK.

Dimensional drawings

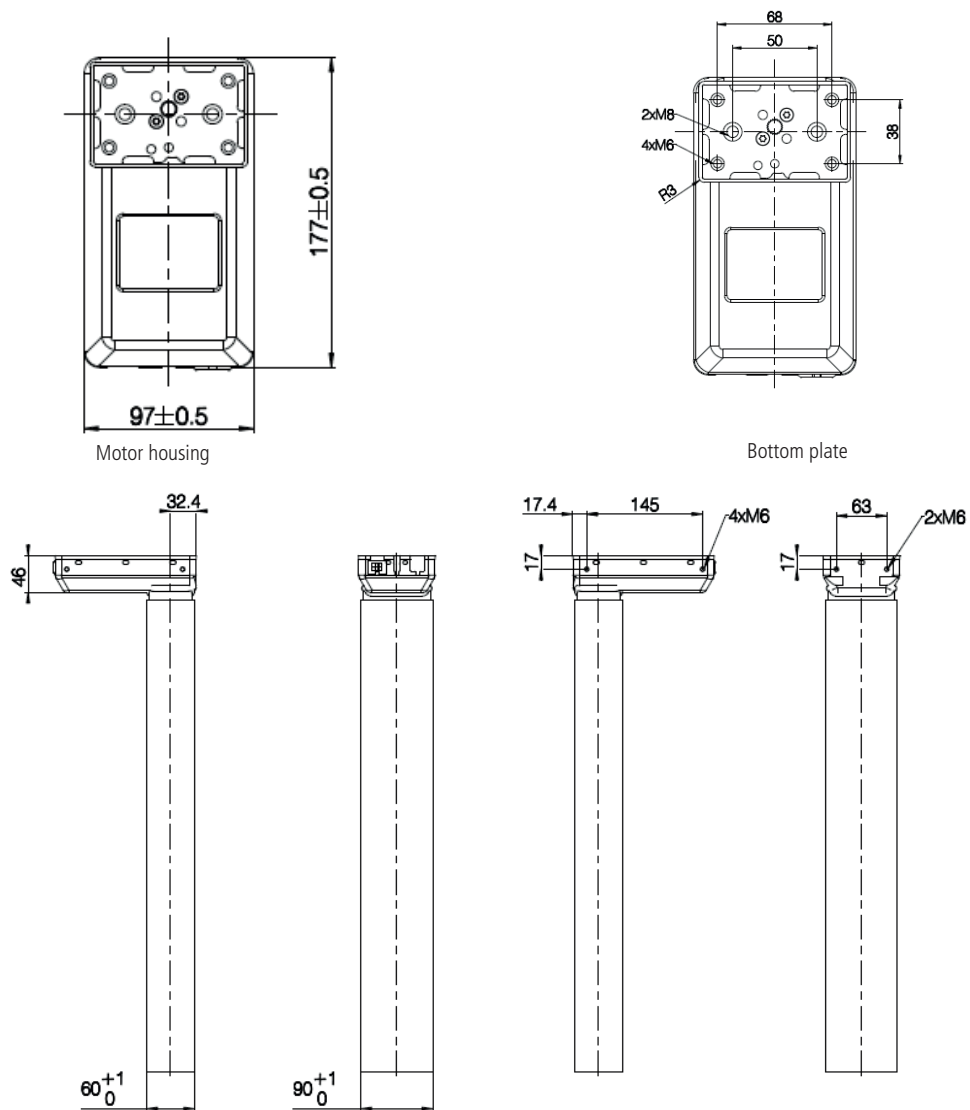


All measurements are without powder coating.



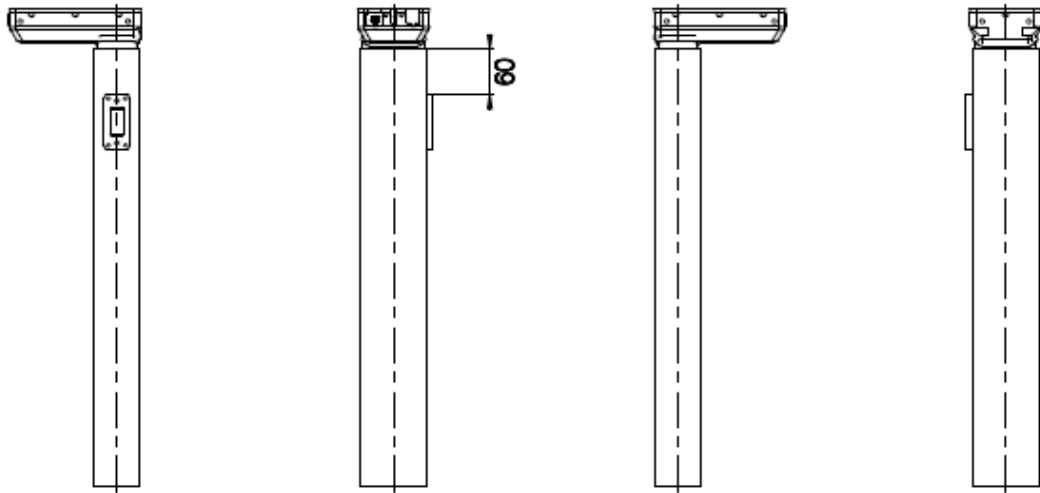
Version	Combination code	B (Built-in length) [mm]	S (Stroke length) [mm]	O (Outer profile length) [mm]
EU	DL20xxxxx500645	645	500	590

DL20 built-in length, stroke length, and outer profile length (mm)

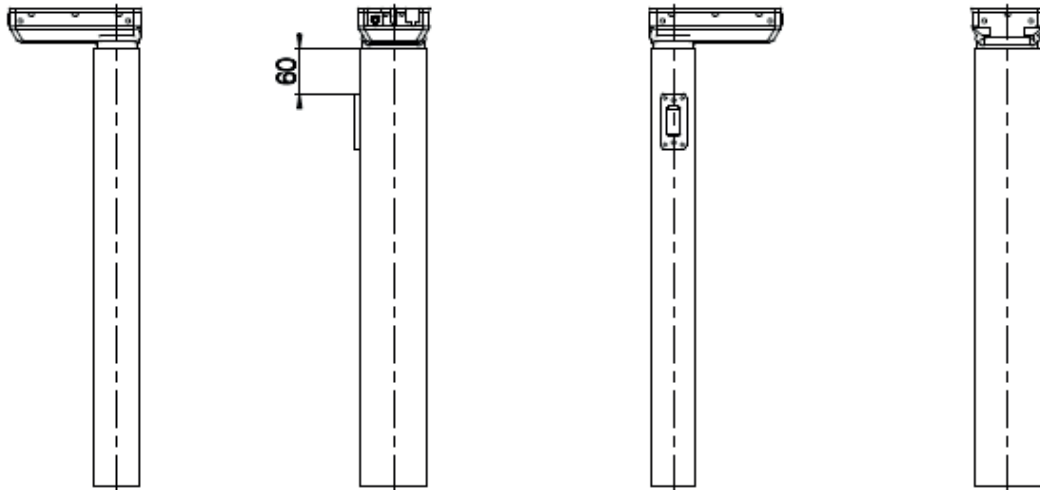


DL20 dimensions (mm)

Bench left

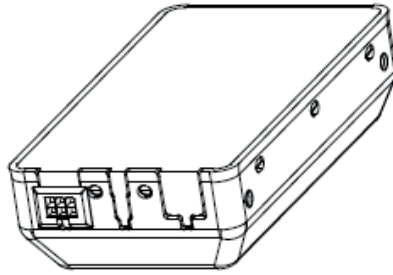


Bench right



Combination code	Bench left	Bench right
DL20xxLxxxxxxxx	X	
DL20xxRxxxxxxxx		X

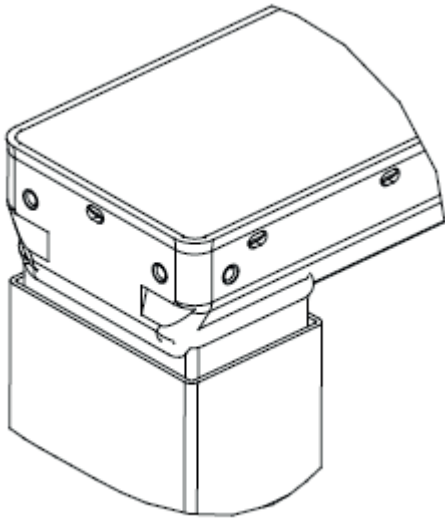
Bracket options (dimensions in mm)



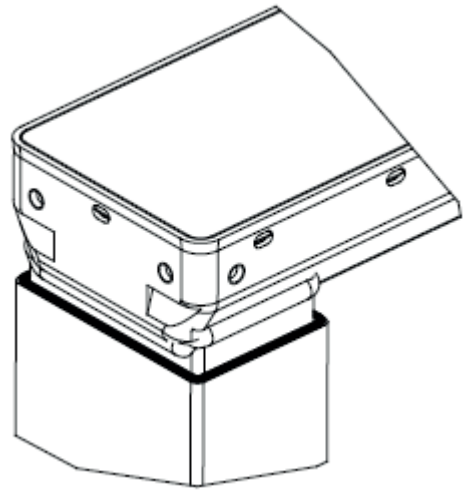
Standard

Combination code	Type
DL20xxxx0xxxxx	Standard

Socket combination



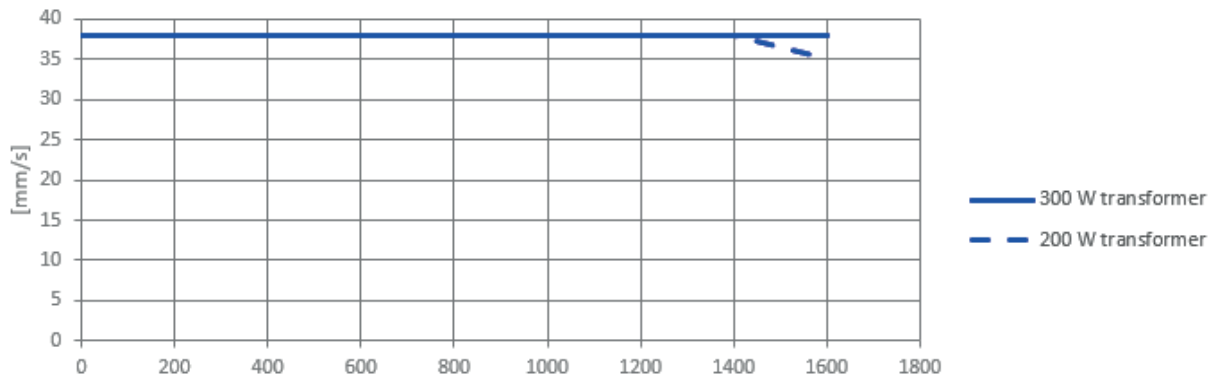
Without trim ring



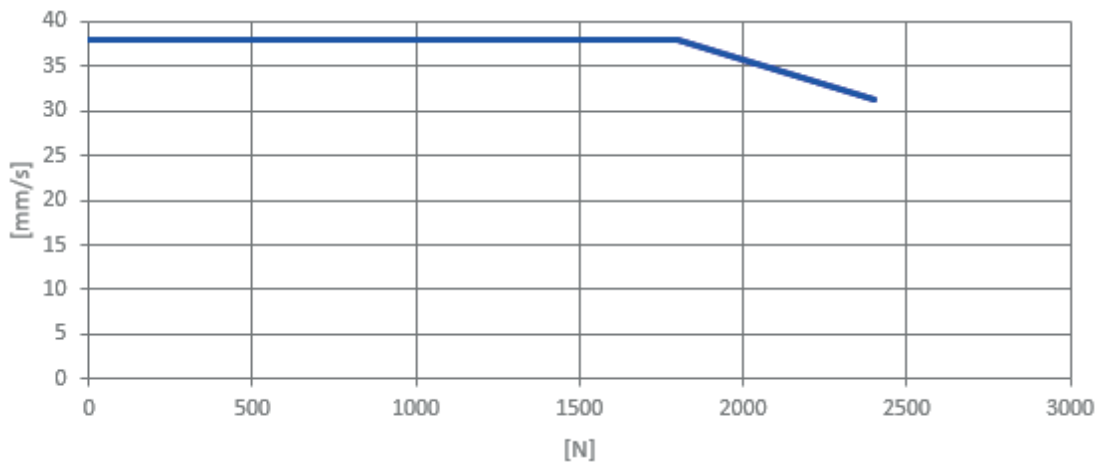
With trim ring

Performance curves
DL20 800 N (20 mm spindle) with CBD6S

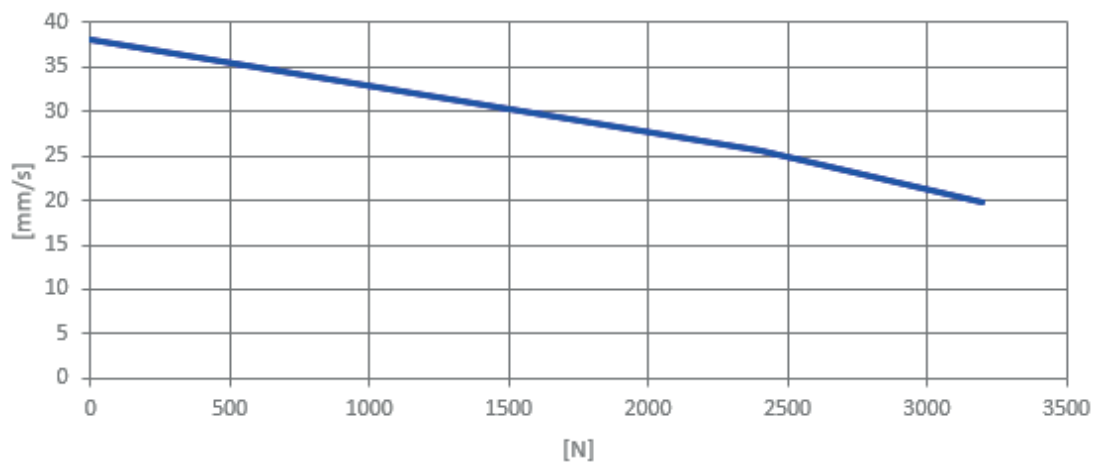
Two DL20 (equally loaded) with CBD6S



Three DL20 (equally loaded) with CBD6S



Four DL20 (equally loaded) with CBD6S



The data above are measured in connection with 2 to 4 DL20 lifting columns and Control Box CBD6S. The desk is driving upwards.



The curves above apply to a centrally placed load. With moment load, there will be increased friction in the columns, which will reduce the lifting force correspondingly.

LINAK® accepts no responsibility for possible errors or inaccuracies in catalogues, brochures, and other material. LINAK reserves the right to change its products without prior notice. LINAK cannot guarantee product availability and reserves the right to discontinue the sale of any product. The user is responsible for determining the suitability of LINAK products for a specific application. All sales are subject to the 'Standard Terms of Sale and Delivery', available on LINAK websites.

LINAK and the LINAK logotype are registered trademarks of LINAK A/S. All rights reserved.