



DL1A
Data sheet

DL1A

The DESKLINE® DL1A is an enhancement of the DL1 column. The DL1A is a strong and very stable lifting column, which is able to lift a lot. These features make the column the perfect choice for a wide range of heavy-duty desk applications e.g. within industry and technical workstations.

The column is compatible with the DESKLINE® control boxes ensuring that the system has a wide range of programming and configuration possibilities but at the same time, it is very intuitive to use and based on plug and play principles. Furthermore, the system has a very low standby power consumption of only 0.1W.



Features:

- Compact design where the guide and actuator function is an integrated unit
- Max. thrust: 1600 N (per leg)
- Max. speed: 43 mm/s
- Standard installation dimension: 645 mm, 445 mm or 345 mm
- Standard stroke length: 500 mm, 300 mm or 200 mm
- Colour: black powder painted outer tube (RAL 9005), zinc plated inner tube and black motor housing or all parts black (RAL 9005) or gray (RAL 9006) outer tube, zinc plated inner tube and black motor housing
- Low noise level
- Short cable mounted on the DL1A for connection with a separate DESKLINE® motor cable
- With or without mounting bracket for crossbar
- Dimension column: 50 x 80 mm
- Dimension motor housing: 187 x 97 x 70 mm
- Soft start and stop ensured by the control box

Usage:

- Single or parallel drive
- Duty cycle: 10 % ~ 6 min. per hour or 2 min. continuous use at full load
- Ambient temperature: +5° to +40 °C
- Compatible with DESKLINE® control boxes and DESKLINE® controls
- Approved according to EN 60335-1
- Approved according to UL 962
- Storage and transport temperature: -20° to +70°C

Technical specifications:

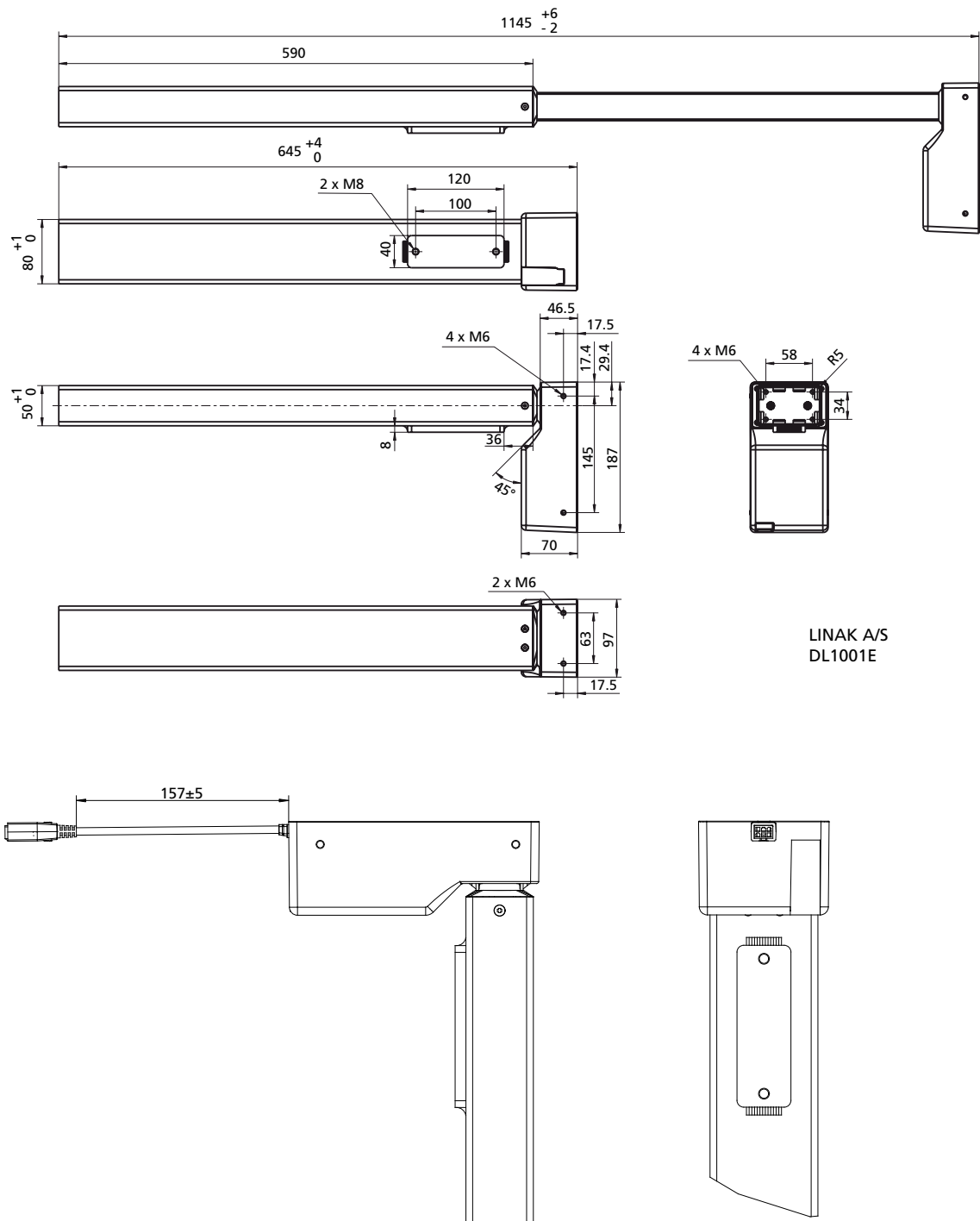
Type	Thrust max. [N] per DL1A	Speed at 0 load [mm/s]	Duty cycle [%]	Pitch [mm]
DL1A	1600	43	10	15

Above measurements are made in connection with the CBD4 control box.



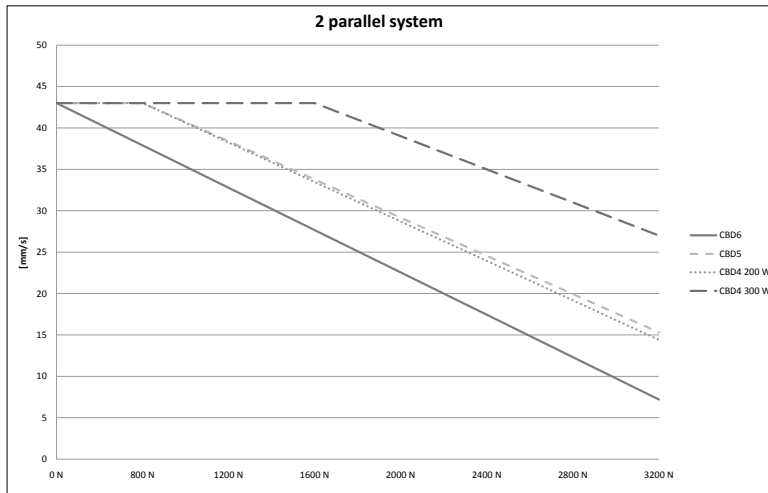
The system needs to be configured before use.

DL1A dimensions [mm]:

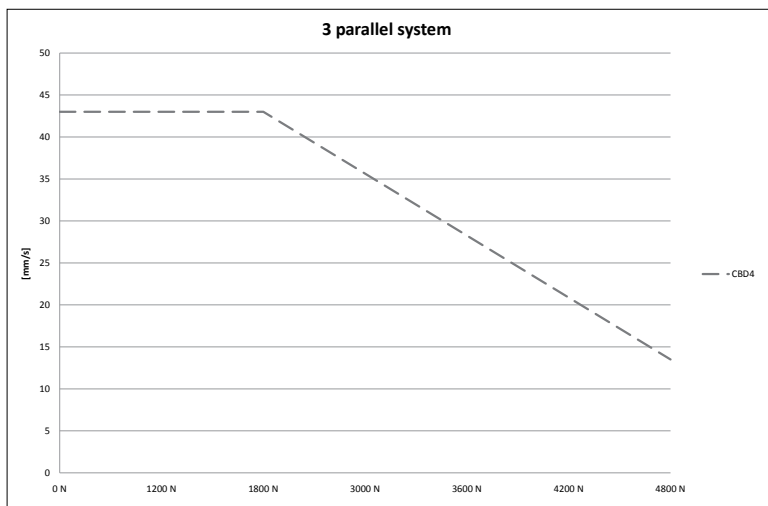


Speed curves for DL1A

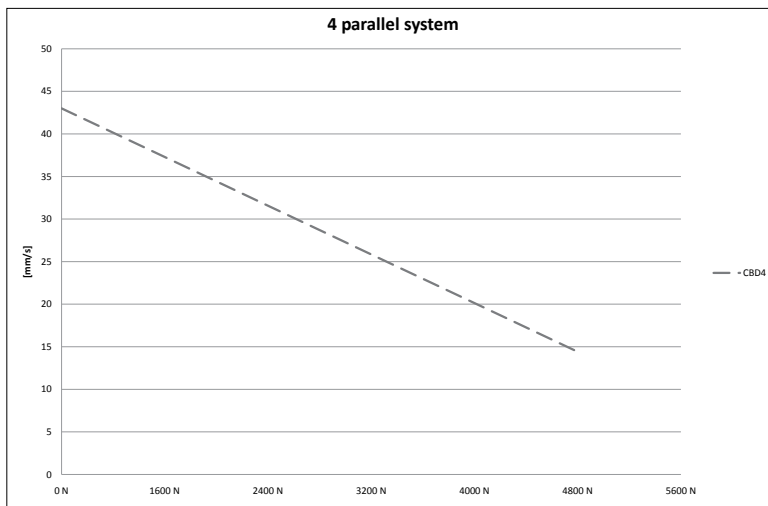
2 parallel speed curve:



3 parallel speed curve:



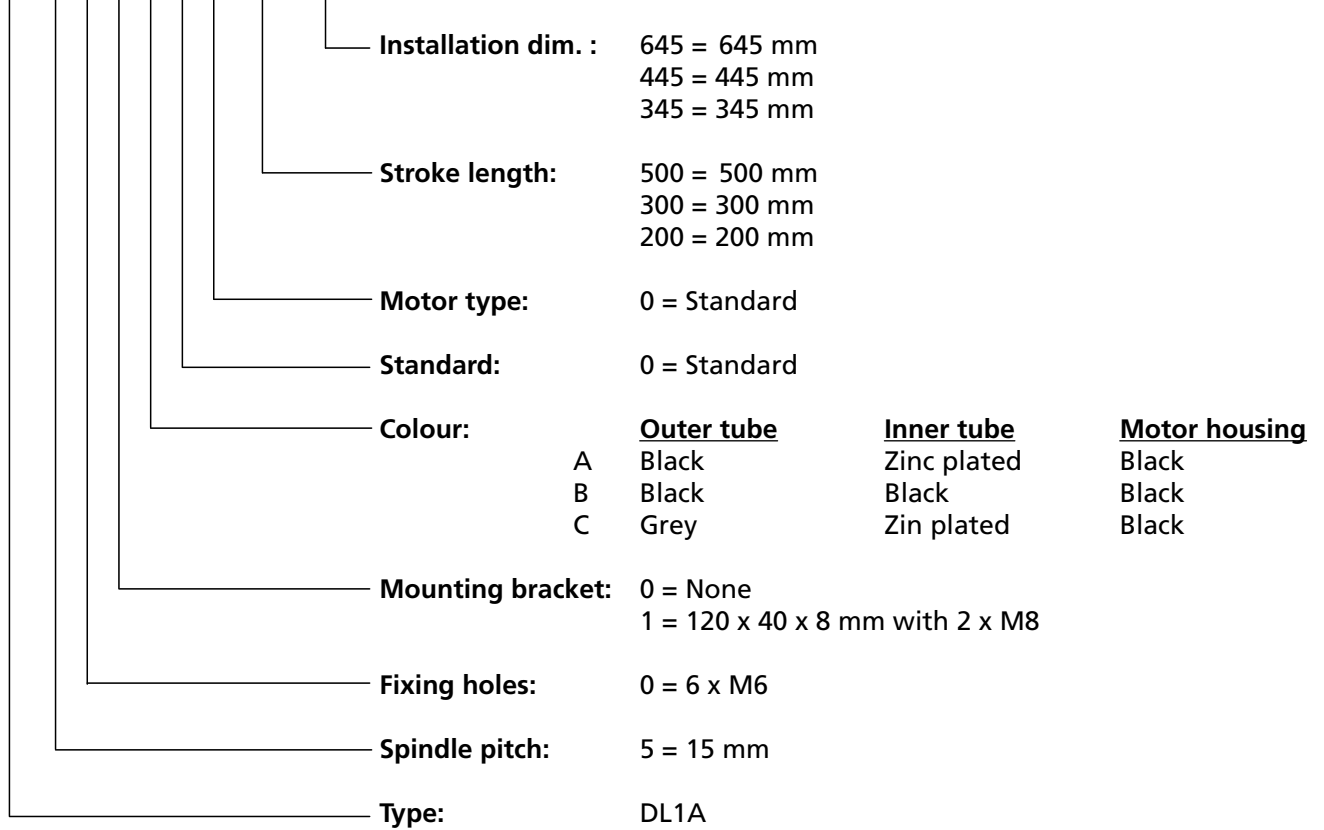
4 parallel speed curve:



DL1A

Ordering example:

DL1A 5 0 1 A 0 0 500 645



All cables for creating a fully connected DESKLINE system must be ordered separately. We offer a range of different versions and lengths.

For more information as ordering number, colour and length of the cables - please contact your local LINAK.

Terms of use

The user is responsible for determining the suitability of LINAK products for specific application. LINAK takes great care in providing accurate and up-to-date information on its products.

However, due to continuous development in order to improve its products, LINAK products are subject to frequent modifications and changes without prior notice. Therefore, LINAK cannot guarantee the correct and actual status of said information on its products.

While LINAK uses its best efforts to fulfill orders, LINAK cannot, for the same reasons as mentioned above, guarantee the availability of any particular product. Therefore, LINAK reserves the right to discontinue the sale of any product displayed on its website or listed in its catalogues or other written material drawn up by LINAK.

All sales are subject to the Standard Terms of Sale and Delivery for LINAK. For a copy hereof, please contact LINAK.