



DESKLIFT™ DL19 IC

Data sheet

DESKLIFT™ DL19 IC

The DESKLIFT™ DL19 IC (Integrated Controller) is a compact 3-part lifting column, based on the DL19 column. The DL19 IC is a perfect choice for adjustable economy office desks using only 2 columns but having a need for the maximum adjustment range. The DL19 IC lifting column has the same outer dimensions and mounting holes as the 2-part DL18 IC column. Thus, they can be used in the same tabletop and table foot construction. For benching desk solutions, the column is available with a bench bracket. The DL19 IC column is very sturdy, and the compact motor housing makes the column easy to integrate in various desk designs.

The DL19 IC column is available in three standard colours (black, grey and white) - and can optionally be delivered in other colours. The DL19 IC can also be delivered with invisible gliding pads for a clean design.

An IC system consists of two columns, a master column and a follower column connected via a motor cable. The master column has a built-in control PCB; thus, no separate control box must be mounted in an IC system. The mains supply is an external SMPS (Switch Mode Power Supply) unit, and a variety of desk panels can be used for adjusting the desk.



Features:

- Compact design where guide and actuator function are an integrated unit
- Reinforced column and optimised motor housing design for extra strength and stability
- 3-part motor housing column
- Square profiles, outer profile 70 x 70 mm
- Invisible gliding pads for an improved design
- Max. load: 500 N per column
- Max speed: 38 mm/s unloaded
- Standard installation dimension 560 mm
- Standard stroke length 650 mm
- Weight: 8.3 kg per column
- Dimension motor housing: 177 x 97 x 46 mm
- Colour: Available in black (RAL 9005), silver grey (RAL 9006) or white (RAL 9016)

Options:

- PLUS™: A smooth outer profile with no punch marks
- Available with bench bracket
- Available as DESKLIFT™ SetPack

Usage:

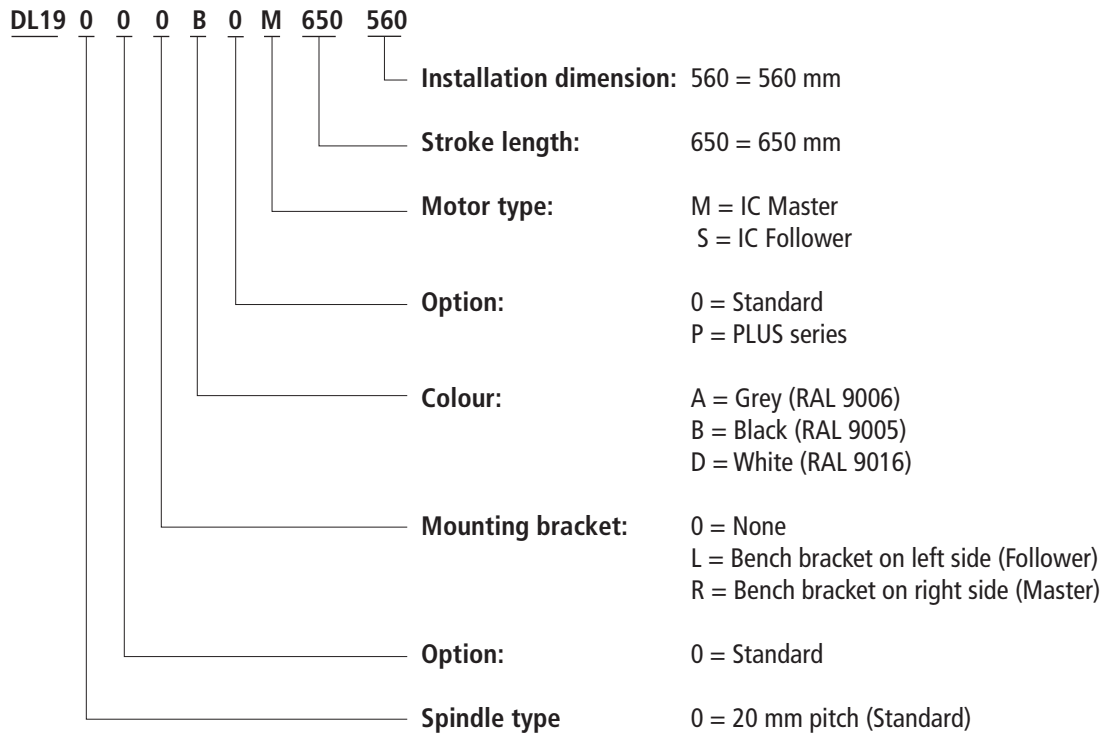
- 2 parallel drive with one DL19 IC master and one DL19 IC follower, and an external power supply (SMPS001 (230 V), SMPS002 (120 V) or SMPS006 (Universal))
- Duty cycle: 10 % ≈ 2 minutes continuous use at full load, followed by 18 minutes pause
- Ambient temperature: 10 to 40 °C
- Storage and transportation temperature: -10 C to +70 °C
- Compatible with DESKLINE® controls
- Compatible with the Kick & Click™ mounting solution
- Compatible with DESKLIFT™ Feet
- System compliance, see the Declaration of Conformity in the User Manual



Be aware that when using a desk panel with display, the light intensity must be configured to 50% before use.

At a fully retracted length of 560 mm and a stroke length of 650 mm, it is possible for a standard system to obtain an adjustment interval of the tabletop of e.g. 600 – 1250 mm. Thus, the desk can be used for sitting as well as for standing types of work.

Ordering example:



All cables for creating a fully connected DESKLINE system must be ordered separately. We offer a range of different versions and lengths. For more information as ordering number, colour and length of the cables - please contact your local LINAK.

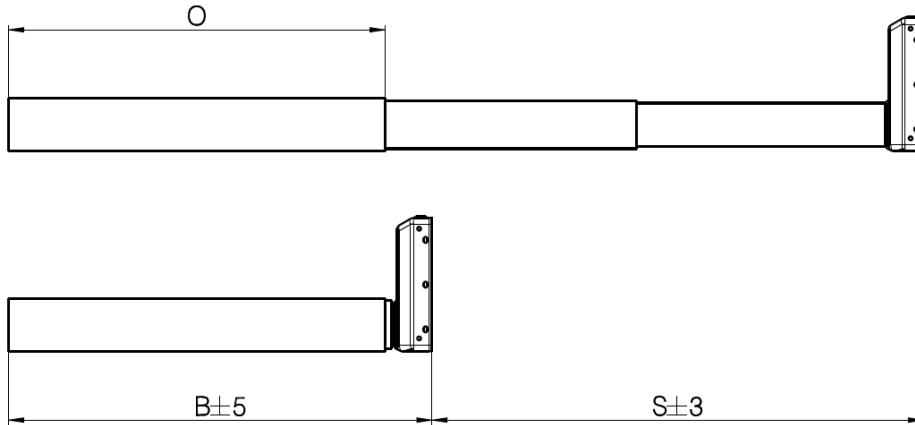


Please observe that the item numbers for columns with bench bracket will be created so that the master column will be on the right and the follower column on the left side of the desk, seen from the position of the user.

Dimensional drawings

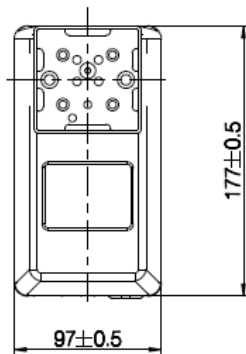


All measurements are without powder coating.

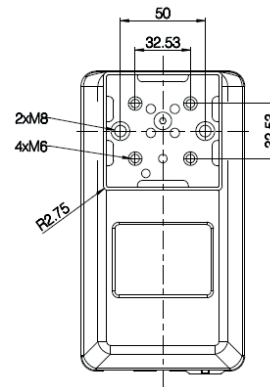


Version	Combination code	B (Built-in length) [mm]	S (Stroke length) [mm]	O (Outer profile length) [mm]
EU	DL19xxxxx650560	560	650	498

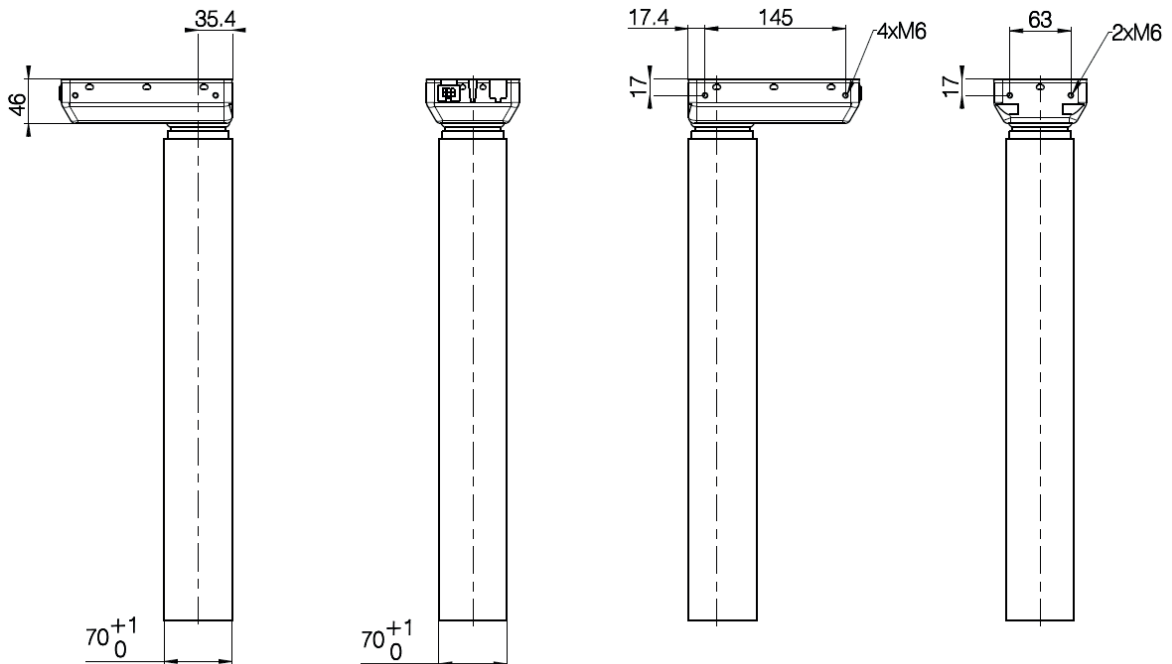
DL19 built-in length, stroke length, and outer profile length (mm)



Motor housing

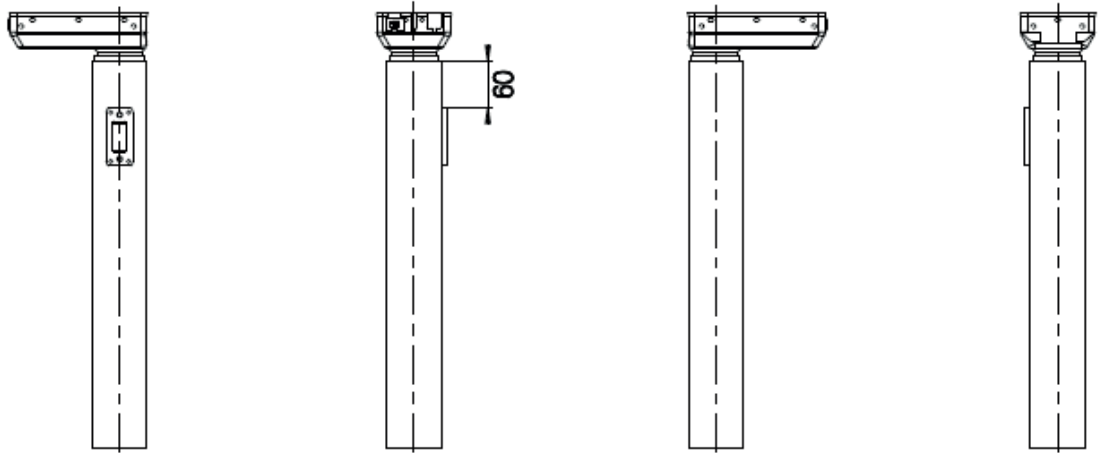


Bottom plate

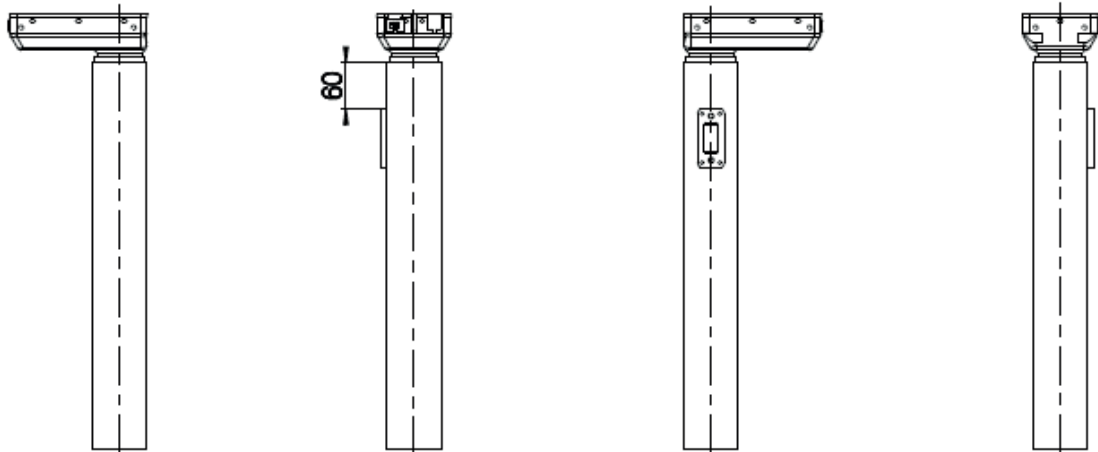


DL19 IC dimensions (mm)

Bench left

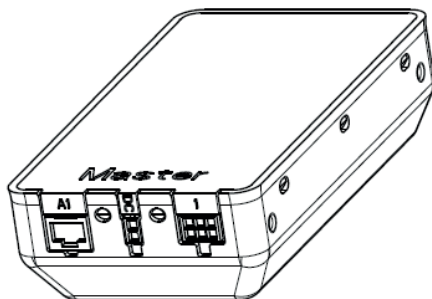


Bench right

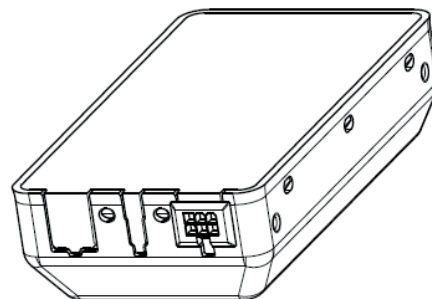


Combination code	Bench left	Bench right
DL19xxLxxSxxxxxx	X	
DL19xxRxxMxxxxxx		X

Bracket options (dimensions in mm)



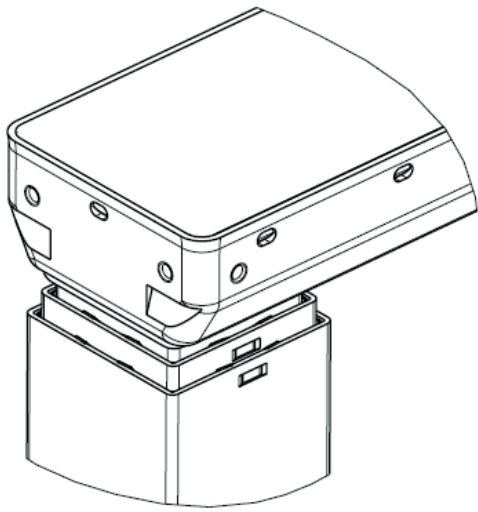
IC Master



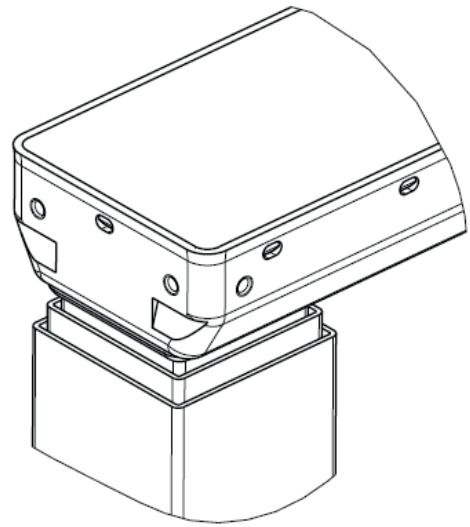
IC Follower

Combination code	Type
DL19xxxxxMxxxxxx	IC Master
DL19xxxxxSxxxxxx	IC Follower

Socket combination



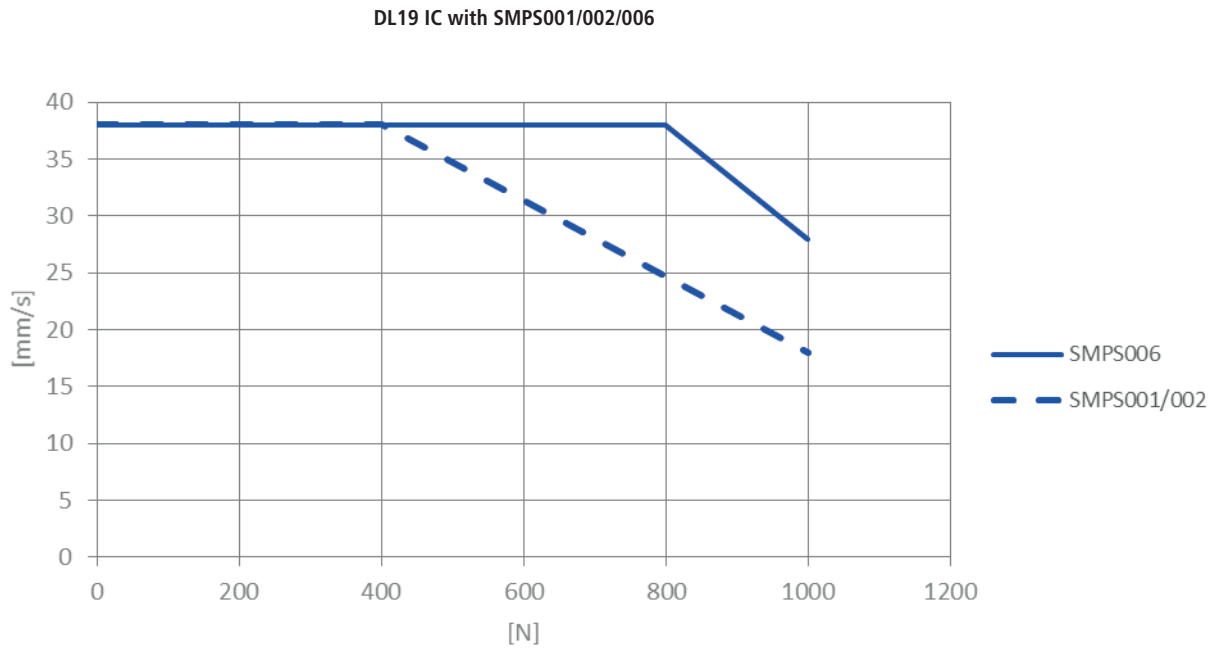
Standard



PLUS™

Profile designs

Performance curves



The above data are measured in connection with 2 x DL19 IC lifting units and SMPS001/002/006.



The above curves apply to a centrally placed load. With moment load, there will be increased friction in the columns, which will reduce the lifting force.
The desk is driving upwards.



The end-stop system in the DL19 IC is based on a buffer system, meaning that you must be aware of the lengths when initialising. The products must be able to drive:

Inward direction: Installation dimension - tolerances - 5 mm
Outward direction: Installation dimension + stroke length + tolerances + 5 mm

LINAK® accepts no responsibility for possible errors or inaccuracies in catalogues, brochures, and other material. LINAK reserves the right to change its products without prior notice. LINAK cannot guarantee product availability and reserves the right to discontinue the sale of any product. The user is responsible for determining the suitability of LINAK products for a specific application. All sales are subject to the 'Standard Terms of Sale and Delivery', available on LINAK websites.

LINAK and the LINAK logotype are registered trademarks of LINAK A/S. All rights reserved.