



DESKLIFT™ DL19IC

Data sheet

DL19IC

The DESKLIFT™ DL19IC (Integrated Controller) is a compact 3-part lifting column, based on our DL19 column. The DL19IC is a perfect choice for economy office desks using only 2 columns but having a need for the maximum adjustment range. The DL19IC system is a set consisting of a master column where the control PCB is built in and a slave DL19IC that is connected to the master column via a motor cable. The mains supply is an external SMPS (Switch Power Mode Supply) unit. A variety of Desk Panels can be used for adjusting the desk. For benching desk solutions, the column is available with a bench bracket.



Features:

- Compact design where guide and actuator function are an integrated unit
- Reinforced column and optimised motor housing design for extra strength and stability
- Square profiles, outer profile 70 x 70 mm
- Max thrust 500 N per column
- Max speed: 38 mm/s
- Weight: 8.3 kg
- Standard installation dimension 560 mm
- Standard stroke length 650 mm
- Dimension motor housing: 177 x 97 x 46 mm
- Bending moment: $M_y = \text{max. } 150 \text{ Nm dynamic}$
- Colour: Available in black (RAL 9005), silver grey (RAL 9006) or white (RAL 9016)

Options:

- Bench bracket for benching desk solutions

Usage:

- 2 parallel drive with one DL19IC master and 1 DL19IC slave and external SMPS001 (230V), SMPS002 (120V) or SMPS006 (Universal)
- Duty cycle: 10% ~ 6 min. per hour or 2 min. continuous use at full load
- Ambient temperature: +10° to +40° C
- Compatible with DESKLINE® controls
- Compatible with the Kick & Click™ mounting solution
- Compatible with DESKLIFT™ Feet
- Approved in accordance with EN 60335-1 and UL 962
- Storage and transport temperature: -10° C to +70° C

Technical specifications :

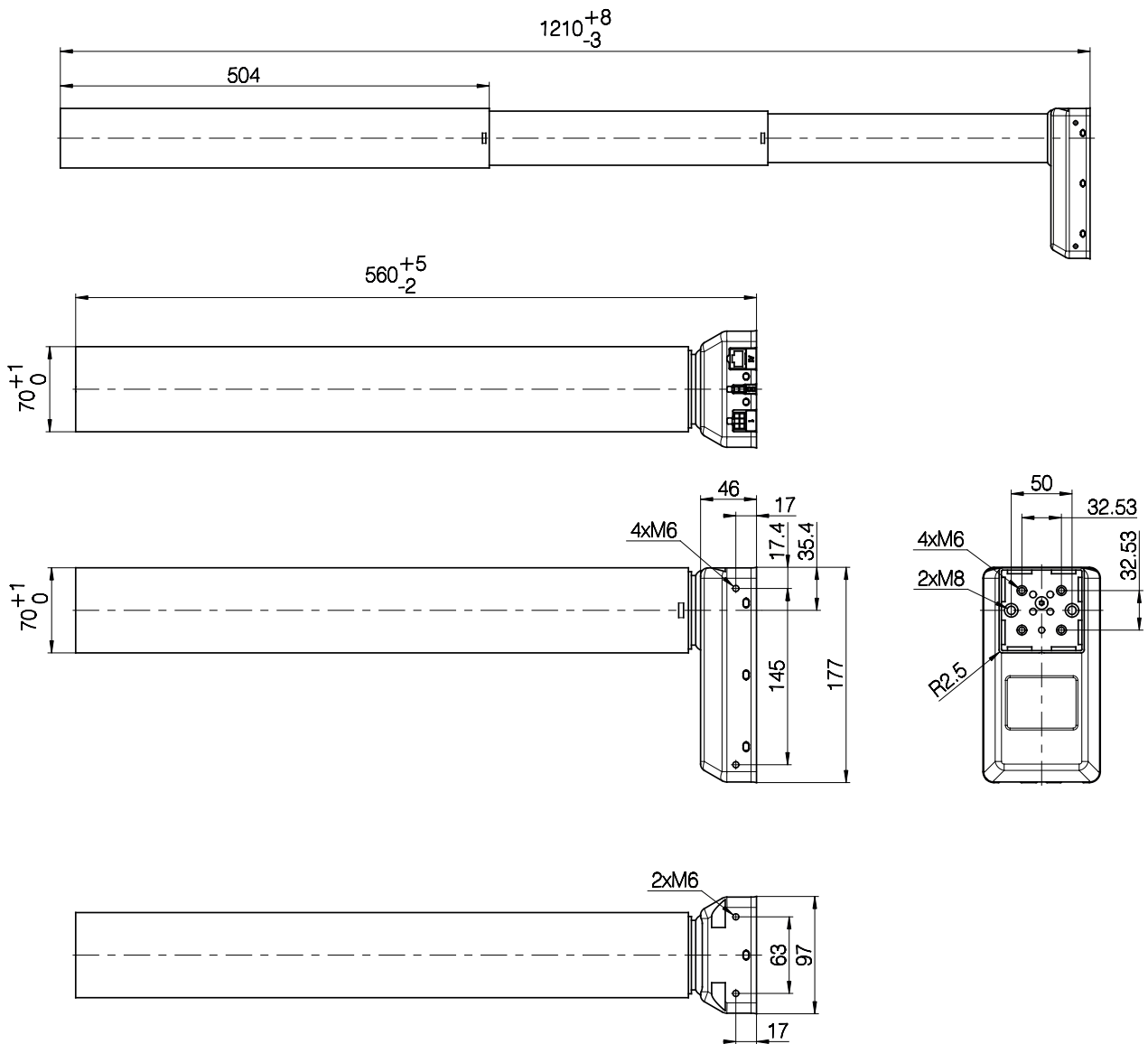
Type/ Application	Max thrust per DL [N]	Self locking per DL [N]	Speed at 0 load [mm/s]	Duty cycle [%]	Spindle pitch [mm]	Stroke length [mm]	Built-in length [mm]
DL19IC	500	500	38	10	2x10	650	560

The above measurements are made in connection with the SMP5001/002.

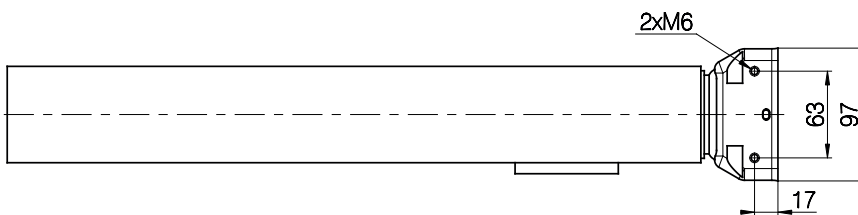
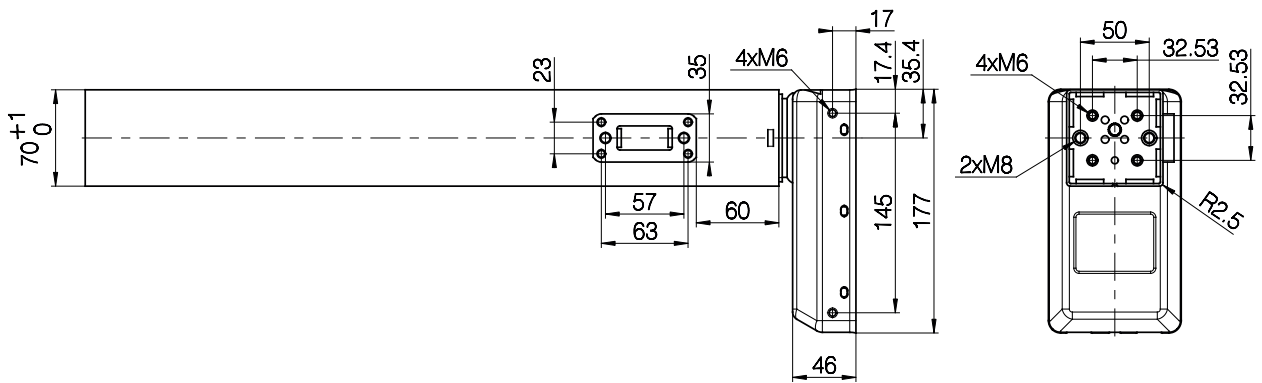
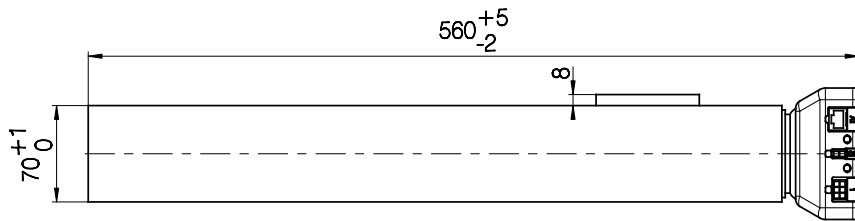
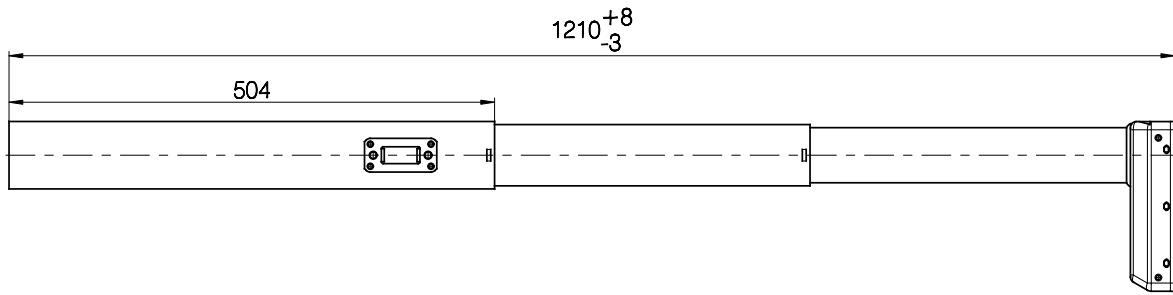
At a fully retracted length of 560 mm and a stroke length of 650 mm, it is possible for a standard system to obtain an adjustment interval of the tabletop of e.g. 600 – 1250 mm. Thus, the desk can be used for sitting as well as for standing work.

Dimensions DL19IC Master:

Installation dimension 560 mm:

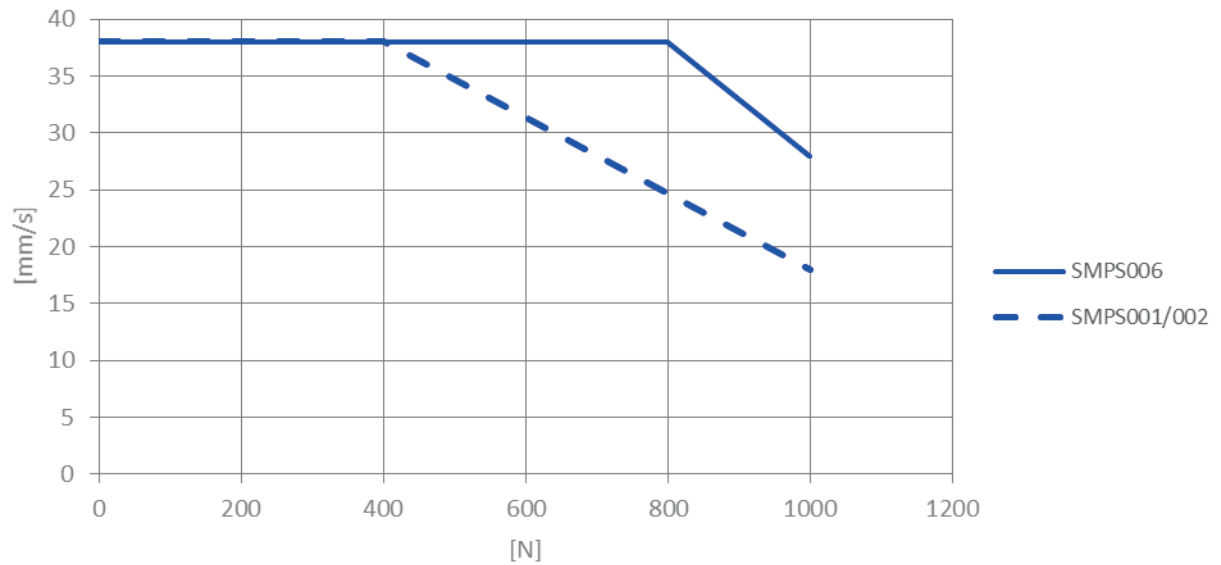


Dimensions DL19IC with bench bracket (master)



Curves DL19IC with SMPS001/002/006

DL19IC 2-parallel system (equally loaded) with SMPS001 / SMPS002 / SMPS006



The above data are measured in connection with 2 x DL19IC lifting units and SMPS001/002/006.



The above curves apply to a centrally placed load. With moment load the friction in the columns will be increased, which will reduce the lifting force correspondingly.



The end-stop system in the DL19IC is based on a buffer system meaning that you must be aware of the lengths when initialising. The products must be able to drive:

Inward direction: built-in dimension - tolerances - 5mm
Outward direction: built-in dimension + stroke length + tolerances + 5mm

DL19IC

Ordering example:

DL19	0	0	0	B	0	M	650	560	
									Installation dimension: 560 = 560 mm
									Stroke length: 650 = 650 mm
									Motor type: M = Master IC S = Slave IC
									Option: 0 = Standard
									Colour: A = Grey RAL 9006 Gloss 30 B = Black RAL 9005 Gloss 30 D = White RAL 9016 Gloss 30
									Option: 0 = Standard L = Bench bracket on left narrow side (Slave) R = Bench bracket on right narrow side (Master)
									Option: 0 = Standard
									Spindle type 0 = 20 mm pitch
									Type: DL19



All cables for creating a fully connected DESKLINE system must be ordered separately. We offer a range of different versions and lengths. For more information as ordering number, colour and length of the cables - please contact your local LINAK.



Please observe that the item numbers will be created so that the master column will be on the right side and the slave column will be on the left side of the desk, seen from the position of the user.

Terms of use

The user is responsible for determining the suitability of LINAK products for specific application. LINAK takes great care in providing accurate and up-to-date information on its products.

However, due to continuous development in order to improve its products, LINAK products are subject to frequent modifications and changes without prior notice. Therefore, LINAK cannot guarantee the correct and actual status of said information on its products.

While LINAK uses its best efforts to fulfil orders, LINAK cannot, for the same reasons as mentioned above, guarantee the availability of any particular product. Therefore, LINAK reserves the right to discontinue the sale of any product displayed on its website or listed in its catalogues or other written material drawn up by LINAK.

All sales are subject to the Standard Terms of Sale and Delivery for LINAK. For a copy hereof, please contact LINAK.