



DESKLIFT™ DL19
Data sheet

DESKLIFT™ DL19

The DESKLIFT™ DL19 is a 3-part lifting column with square profiles and motor housing. The column has invisible gliding pads for improved design. It is a perfect choice for a wide range of different desk applications ranging from industry to office desks. The 3-part construction ensures a short installation dimension combined with a long stroke length making the DL19 an optimum choice no matter what the height of the person using the desk is. The middle profile of the DL19 moves synchronously so the profiles are always in the same height optimising the desk design and the stability. The DL19 has a compact motor housing, which is almost invisible in the tabletop construction, and the column is very sturdy. The DL19 is available in several standard colours to fit into a wide range of desk designs.

The wide DL19 product programme offers various options such as:

- DL19 PLUS™ - a design-optimised version
- PIEZO™ (collision protection) minimising the risk of damage to a desk caused by collision with an obstacle
- versions for bench solutions

The DL19 system is controlled by a DESKLINE® control box (CBD). The control box, ensures optimal parallel drive and a pleasantly low noise level. The DL19 can be used as a single column or in 2, 3 or 4 parallel systems, or up to 16 columns in multi-parallel systems.



Features:

- 3-part motor housing column
- Square profiles, outer profile 70 x 70 mm
- Invisible gliding pads for an improved design
- Plug mounted on the DL19 for connection to the CBD with a DESKLINE® motor cable
- Max. load: 800 N per column
- Max. speed 38 mm/s unloaded
- Standard installation dimension 560 mm
- Standard stroke length 650 mm
- Weight: 8.5 kg pr. column
- Dimension motor housing: 177 x 97 x 46 mm
- Bending moment: $M_y = \max. 150 \text{ Nm}$ dynamic
- Colour: Available in black (RAL 9005), silver grey (RAL 9006) or white (RAL9016)
- Low noise level

Options:

- PIEZO™: Integrated sensor minimising the risk for damage to a desk caused by squeezing or blocking it in upward or downward direction
- PLUS™: A smooth outer profile with no punch marks
- Compatible with the Kick & Click™ mounting solution
- Available as DESKLIFT™ SetPack

Usage:

- Single or 2, 3 or 4 parallel drive or even multi-parallel with up to 16 columns
- Duty cycle: 10 % \approx 2 minutes continuous use at full load, followed by 18 minutes pause
- Ambient temperature: 10 to 40 °C
- Storage and transportation temperature: -10 to +70 °C
- Compatible with DESKLINE® control boxes and all DESKLINE® controls
- Compatible with the Kick & Click™ mounting solution
- Compatible with DESKLIFT™ Feet
- Approved in accordance with EN 60335-1 and UL 962
-

At a fully retracted length of 560 mm and a stroke length of 650 mm, it is possible for a standard system to obtain an adjustment interval of the tabletop of e.g. 600 – 1250 mm. Thus, the desk can be used for sitting as well as for standing types of work.

DL19

Ordering example:

DL19	0	0	0	B	0	0	650	560	
									Installation dimension: 560 = 560 mm
									Stroke length: 650 = 650 mm
									Motor type: 0 = Standard E = PIEZO + IID
									Option: 0 = Standard P = PLUS series
									Colour: A = Grey (RAL 9006) B = Black (RAL 9005) D = White (RAL 9016)
									Motion bracket: 0 = None L = Bench bracket on left narrow side R = Bench bracket on right narrow side
									Option: 0 = Standard
									Spindle type: 0 = 20 mm pitch (Standard) 1 = 12 mm pitch (1200 N) *
									Actuator type: DL19

*: Not available for DL19 PLUS™.



All cables for creating a fully connected DESKLINE system must be ordered separately. We offer a range of different versions and lengths. For more information as ordering number, colour and length of the cables - please contact your local LINAK.

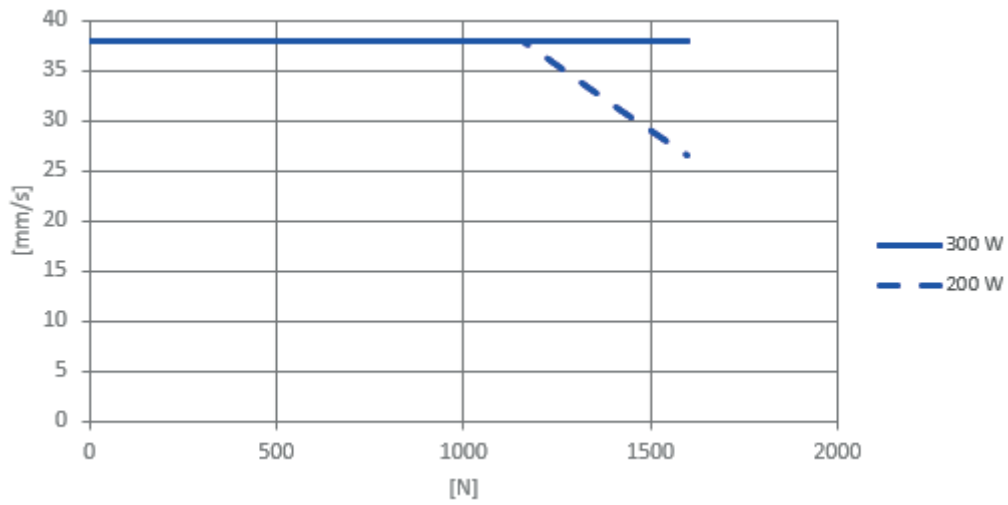


If you want to operate a DL19 1200 N **without** PIEZO™ with a desk panel with display, you must configure the actuator type in the control box to ensure the correct read-out.

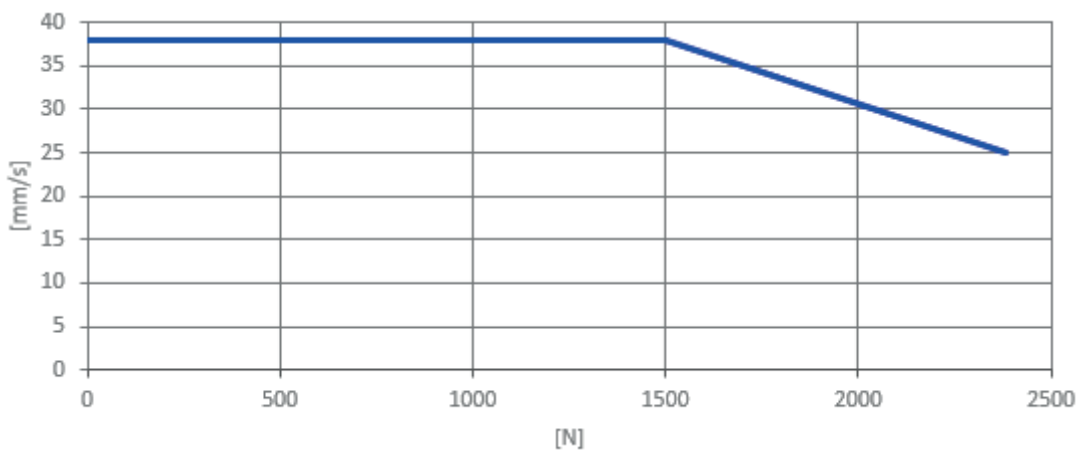
If you want to operate a DL19 1200 N **with** PIEZO™, do not configure the actuator type. This column has IID and will automatically be detected as the right type of column.

Performance curves
DL19 800 N (20 mm spindle) with CBD6S

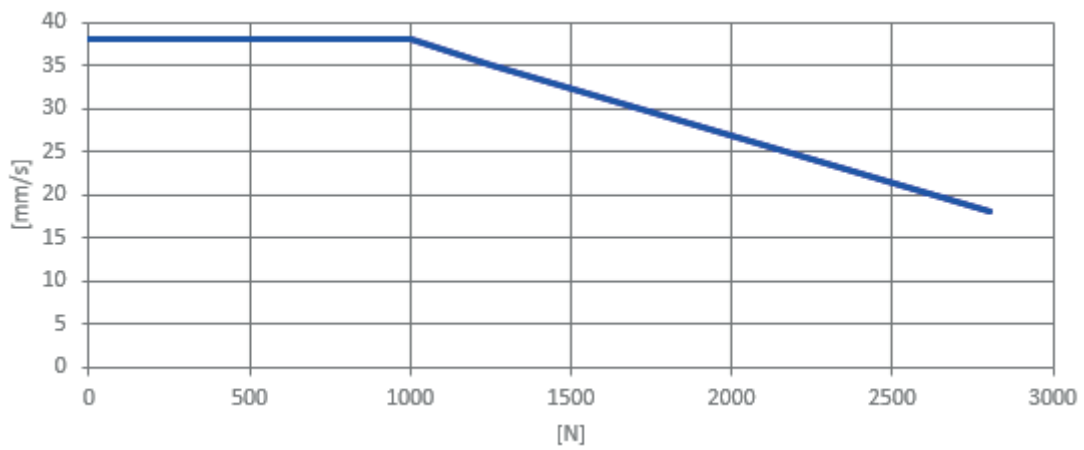
Two DL6/9/11/16/19 (equally loaded) with CBD6S



Three DL6/9/11/16/19 (equally loaded) with CBD6S

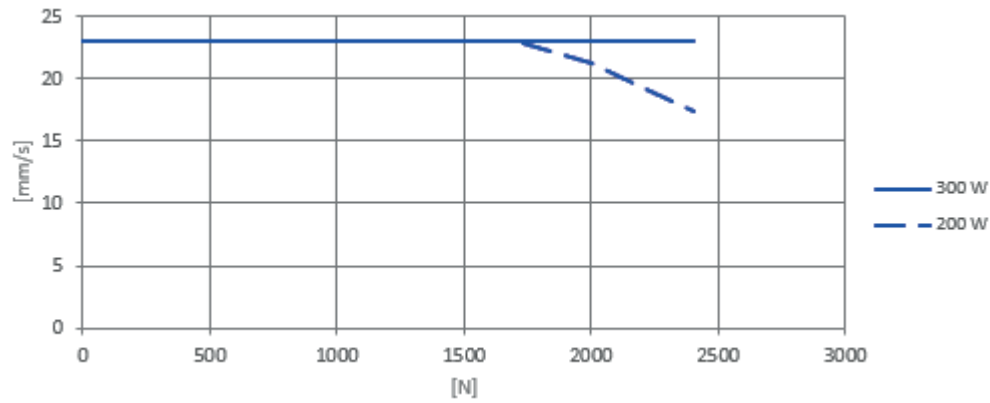


Four DL6/9/11/16/19 (equally loaded) with CBD6S

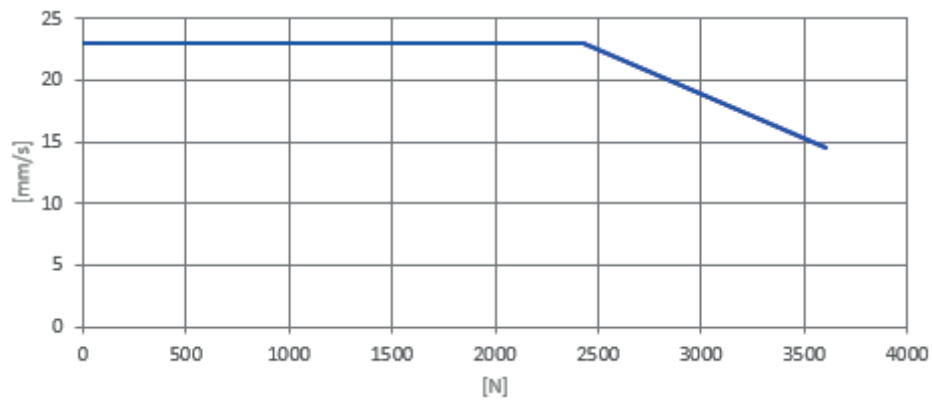


DL19 1200 N (12 mm spindle) with CBD6S

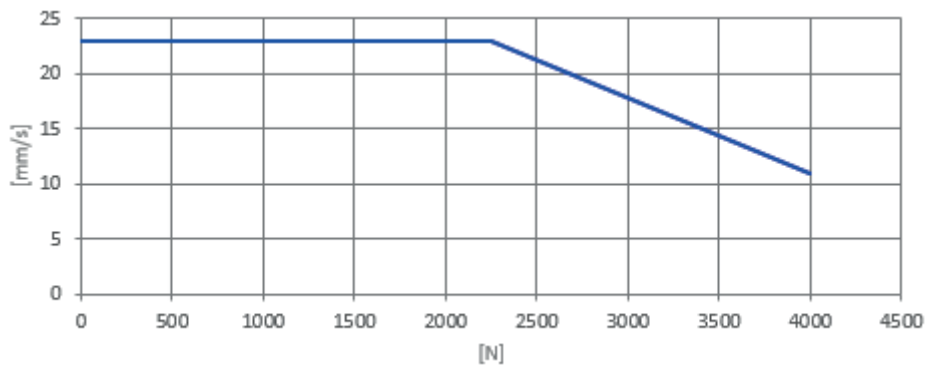
Two DL6/19 (equally loaded) with CBD6S



Three DL6/19 (equally loaded) with CBD6S



Four DL6/19 (equally loaded) with CBD6S

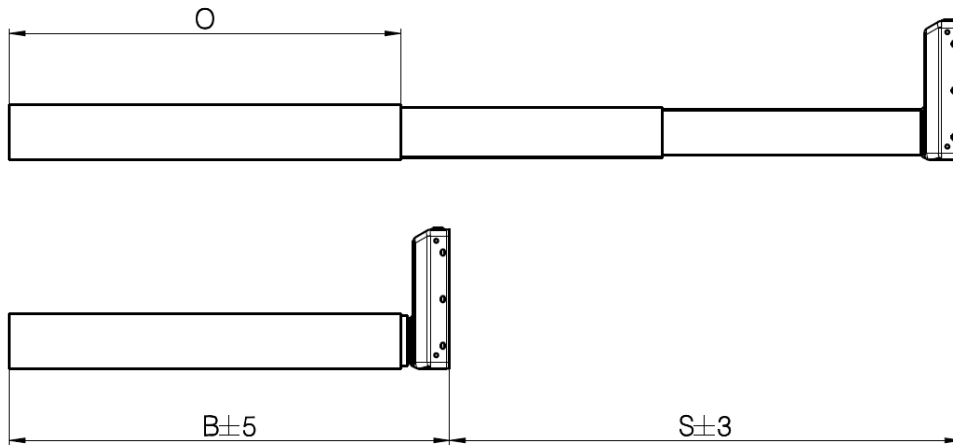


The data above are measured in connection with 2 to 4 DL19 lifting columns and control box CBD6S. The desk is driving upwards.



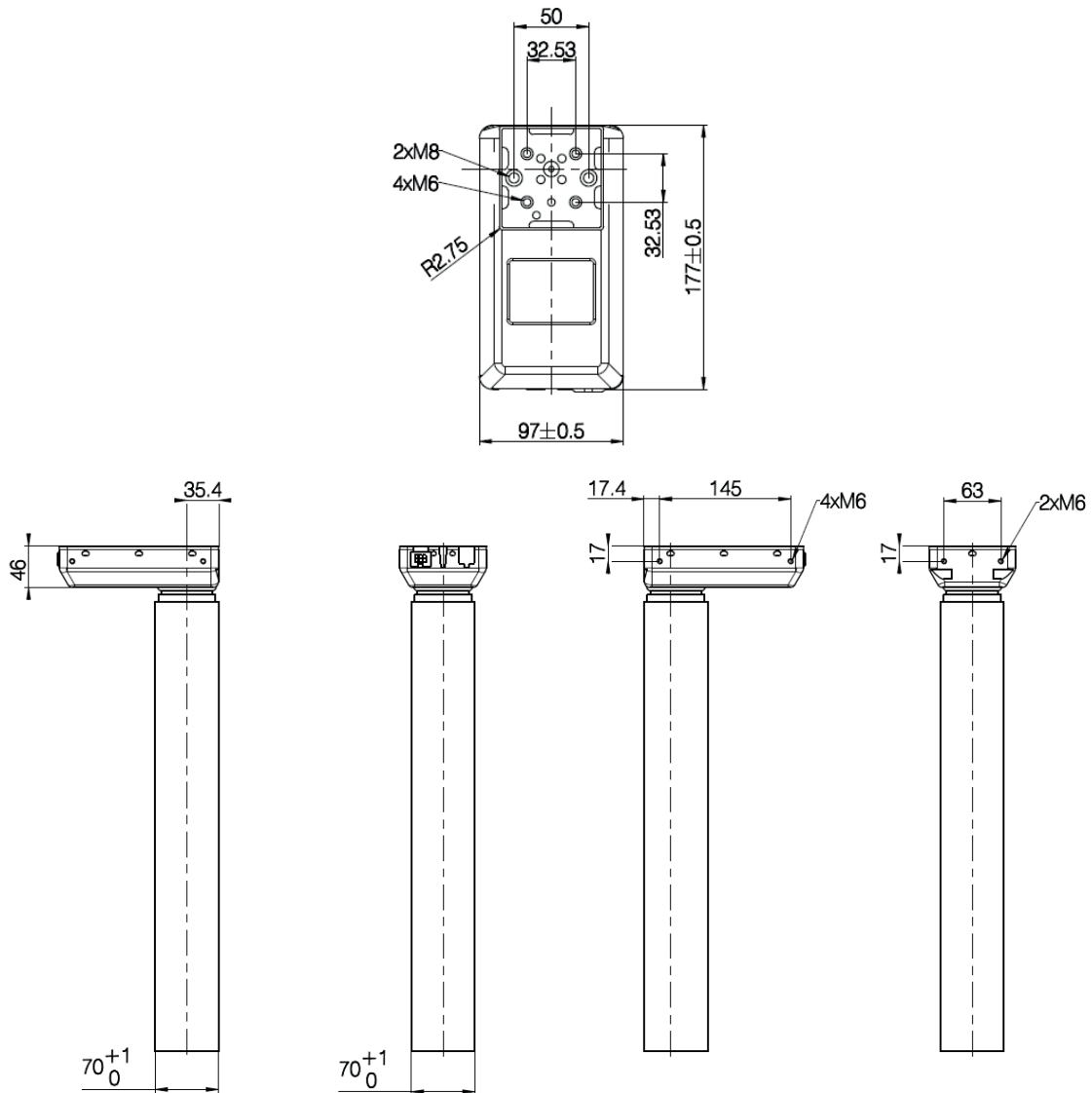
The curves above apply to a centrally placed load. With moment load, there will be increased friction in the columns, which will reduce the lifting force correspondingly.

Dimensional drawings

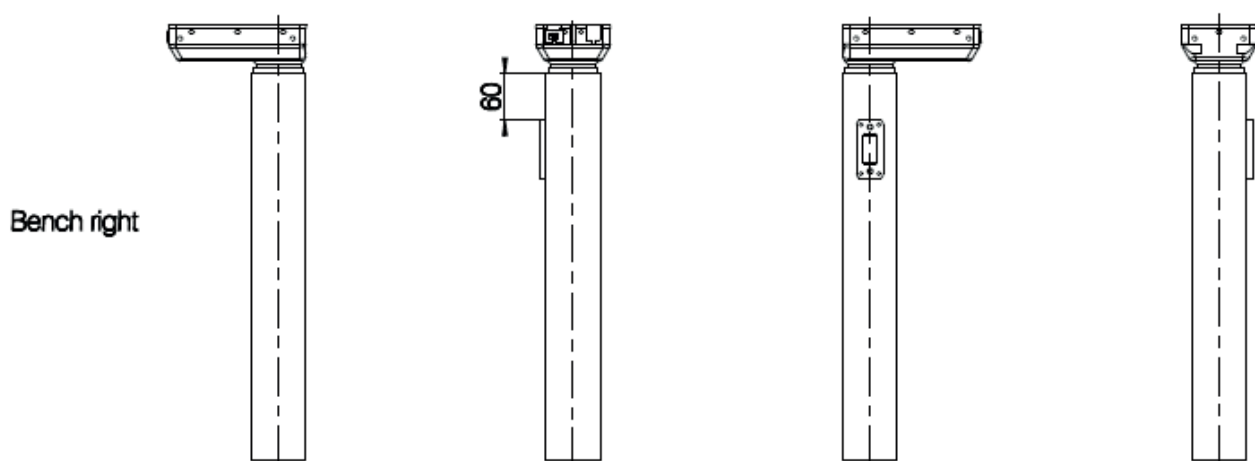
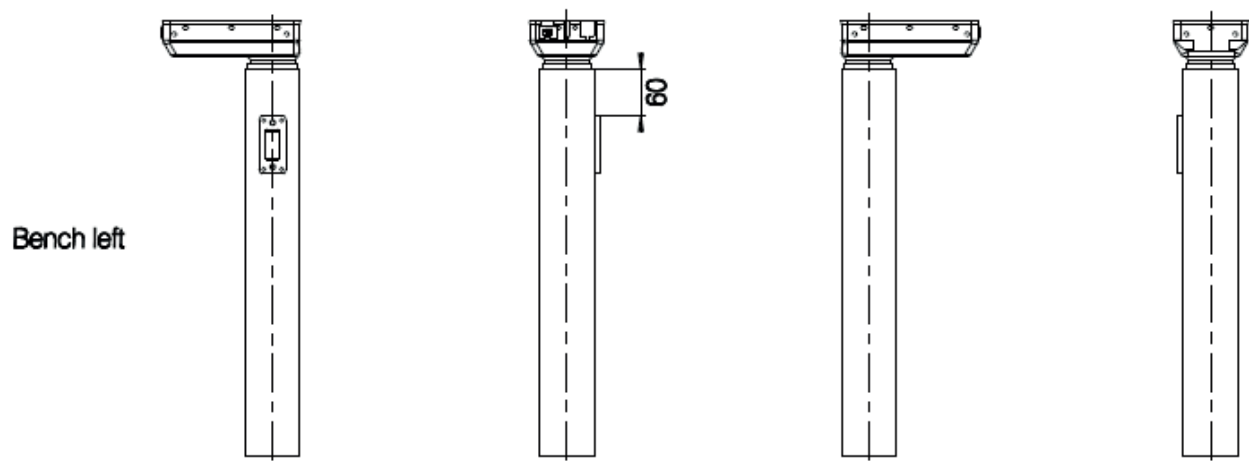
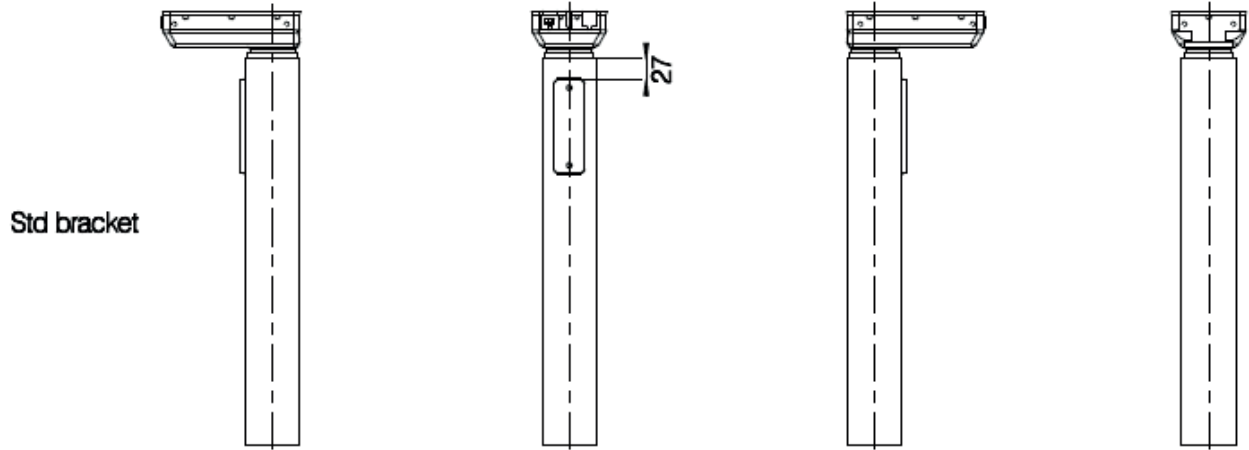


Version	Combination code	B (Built-in length) [mm]	S (Stroke length) [mm]	O (Outer profile length) [mm]
EU	DL19xxxxx650560	560	650	498

DL19 built-in length, stroke length, and outer profile length (mm)

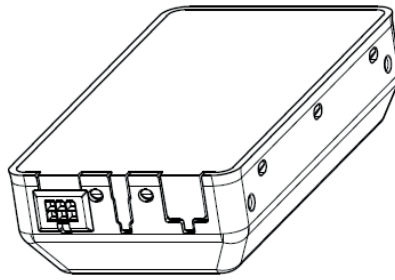


DL19 motor housing and profile dimensions (mm)



Combination code	Std bracket	Bench left	Bench right
DL19xx1xxxxxxxxx	X		
DL19xxLxxxxxxxxx		X	
DL19xxRxxxxxxxxx			X

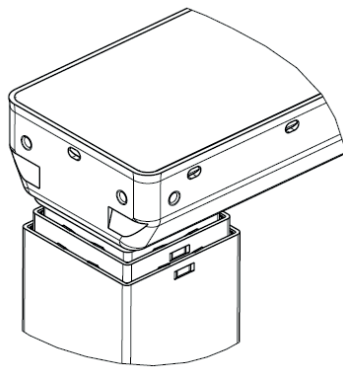
Bracket options (dimensions in mm)



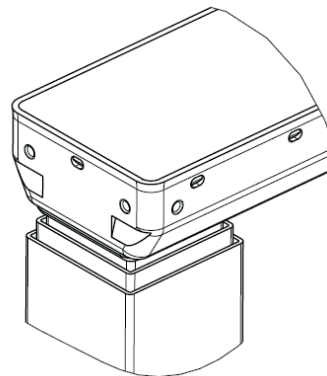
Standard

Combination code	Type
DL19xxxxx0xxxxxx	Standard
DL19xxxxxExxxxxx	Standard

Socket combination

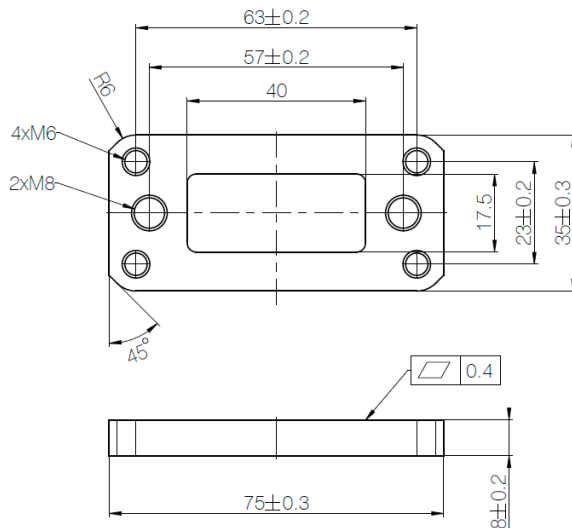


Standard

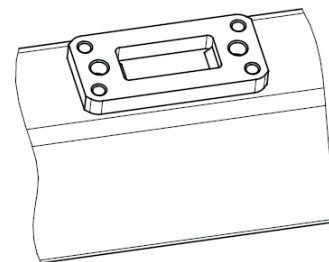


PLUS™

Profile designs



Bench bracket dimensions (mm)



Terms of use

The user is responsible for determining the suitability of LINAK products for specific application. LINAK takes great care in providing accurate and up-to-date information on its products. However, due to continuous development in order to improve its products, LINAK products are subject to frequent modifications and changes without prior notice. Therefore, LINAK cannot guarantee the correct and actual status of said information on its products. While LINAK uses its best efforts to fulfill orders, LINAK cannot, for the same reasons as mentioned above, guarantee the availability of any particular product. Therefore, LINAK reserves the right to discontinue the sale of any product displayed on its website or listed in its catalogues or other written material drawn up by LINAK. All sales are subject to the Standard Terms of Sale and Delivery for LINAK. For a copy hereof, please contact LINAK.