



DESKLIFT™ DL18 IC
Data sheet

DESKLIFT™ DL18 IC

The DESKLIFT™ DL18 IC (Integrated Controller) is a compact two-part lifting column with square profiles, based on the DL18 column. It comes with invisible gliding pads for a clean design and is a perfect choice for adjustable economy office desks using only two columns and requiring a stroke length of maximum 500 mm. The DL18 IC lifting column has the same outer dimensions and mounting holes as the three-part DL19 IC column. Thus, they can be used in the same tabletop and table foot construction. For benching desk solutions, the column is available with a bench bracket. The DL18 IC column is very sturdy for which reason a crossbar is not necessary, and the compact motor housing makes the column easy to integrate in various desk designs.

The DL18 IC column is available in three standard colours (black, grey and white) - and can optionally be delivered in other colours.

An IC system consists of two columns, a master column and a follower column connected via a motor cable. The master column has a built-in control PCB; thus, no separate control box must be mounted in an IC system. The mains supply is an external SMPS (Switch Mode Power Supply) unit, and a variety of desk panels can be used for adjusting the desk.



Features:

- Compact design where guide and actuator functions are an integrated unit
- PLUS™: Invisible gliding pads and a smooth outer profile with no punch marks
- Reinforced column and optimised motor housing design for extra strength and stability
- Max. load 500 N per column
- Max. speed 38 mm/s unloaded
- Installation dimension 645 mm
- Stroke length 500 mm
- Weight: Approximately 6.5 kg per column
- Dimensions column: 70 x 70 mm (outer profile) and 63.6 x 63.6 mm (inner profile)
- Dimension motor housing: 177 x 97 x 46 mm
- Colour: Available in black (RAL 9005), grey (RAL 9006) or white (RAL 9016)
- Low noise level

Options:

- Available with bench bracket

Usage:

- 2 parallel drive with one DL18 IC master and one DL18 IC follower, and an external power supply (SMPS001 (230 V), an SMPS002 (120 V) or an SMPS006 (Universal))
- Duty cycle: 10 % ≈ 2 minutes continuous use at full load, followed by 18 minutes pause
- Ambient temperature: 10 to 40 °C
- Storage and transportation temperature: -10 to +70 °C
- Compatible with DESKLINE® controls
- Compatible with the Kick & Click™ mounting solution
- Compatible with DESKLIFT™ Feet
- System compliance, see the Declaration of Conformity in the User Manual



Be aware that when using a desk panel with display, the light intensity must be configured to 50% before use.

With a fully retracted length of 645 mm and a stroke length of 500 mm, it is possible for a standard system to obtain an adjustment range of the tabletop from e.g. 680 to 1180 mm. Thus, the desk can be used for sitting as well as for standing types of work.

DL18 IC

Ordering example:

DL18	0	0	0	B	P	M	500	645	
									Installation dimension: 645 = 645 mm
									Stroke length: 500 = 500 mm
									Motor type: M = IC Master S = IC Follower
									Option: P = PLUS series
									Colour: A = Grey (RAL 9006) B = Black (RAL 9005) D = White (RAL 9016)
									Mounting bracket: 0 = None 1 = 120 x 40 x 8 mm (with 2 x M8) L = Bench bracket on left side (Follower) R = Bench bracket on right side (Master)
									Option: 0 = Standard
									Spindle type 0 = 20 mm pitch (Standard)



All cables for creating a fully connected DESKLINE system must be ordered separately. We offer a range of different versions and lengths. For more information as ordering number, colour and length of the cables - please contact your local LINAK.

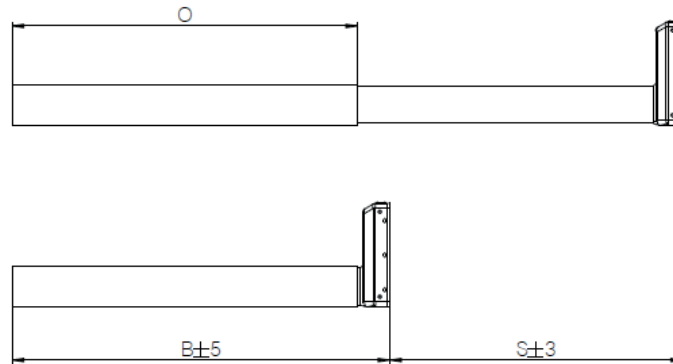


Please observe that the item numbers for columns with bench bracket will be created so that the master column will be on the right and the follower column on the left side of the desk, seen from the position of the user.

Dimensional drawings

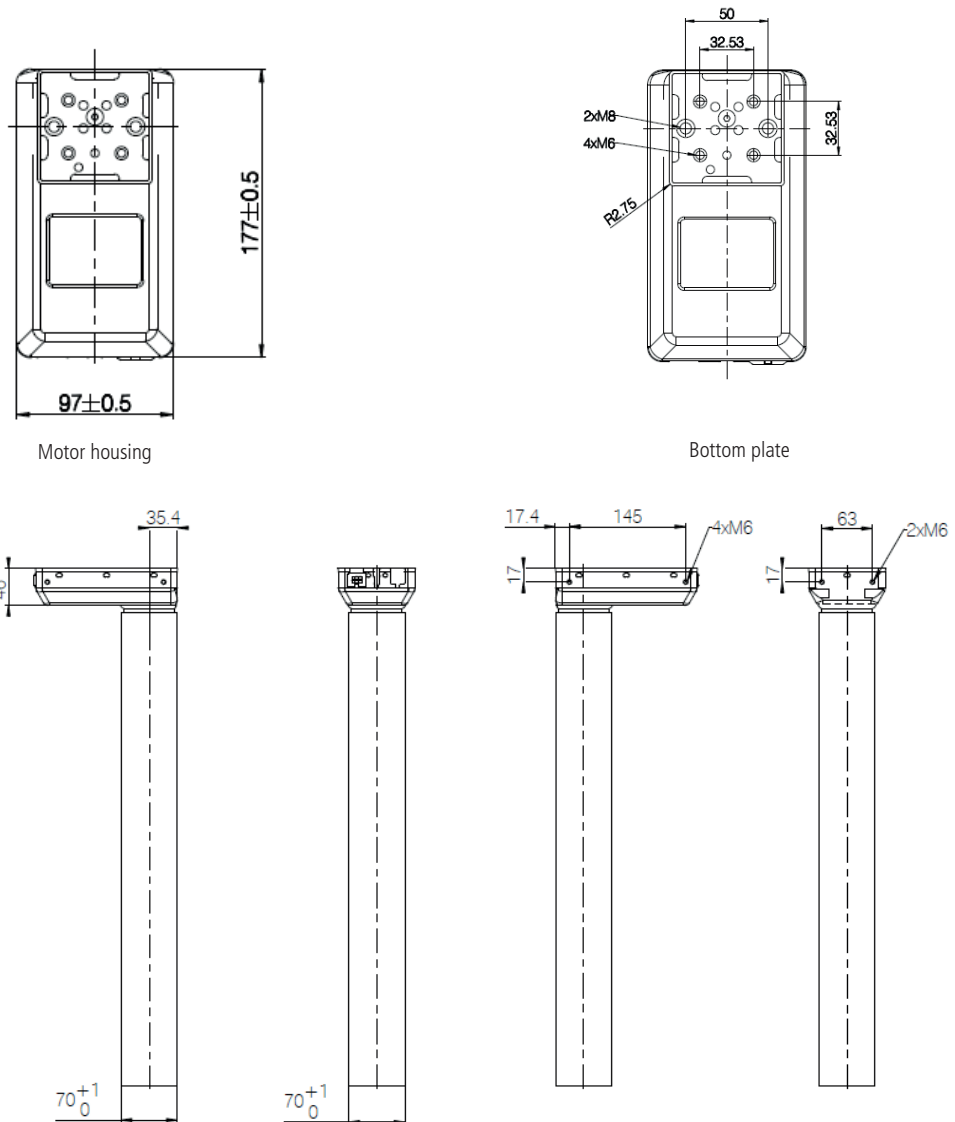


All measurements are without powder coating.

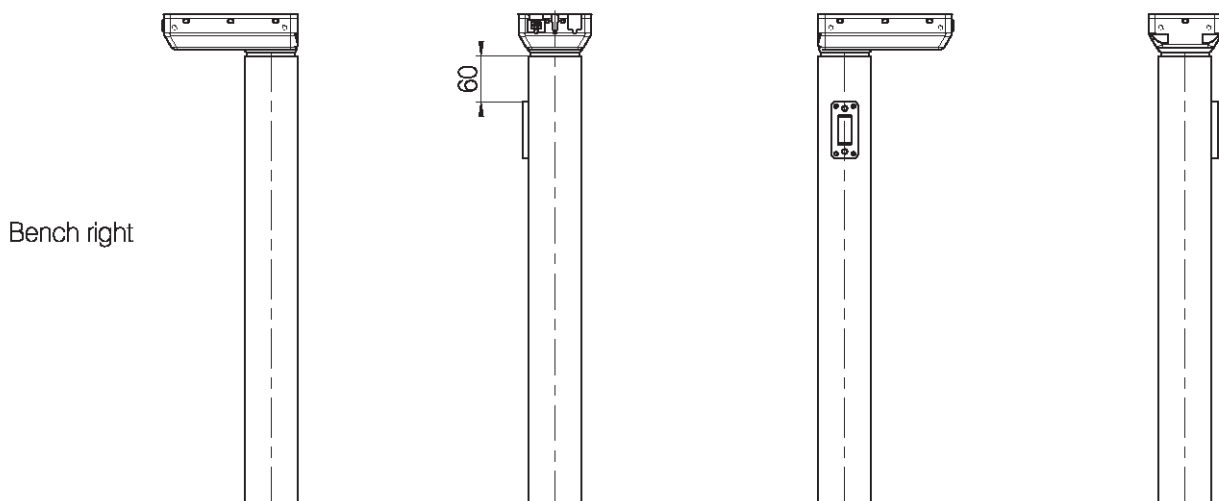
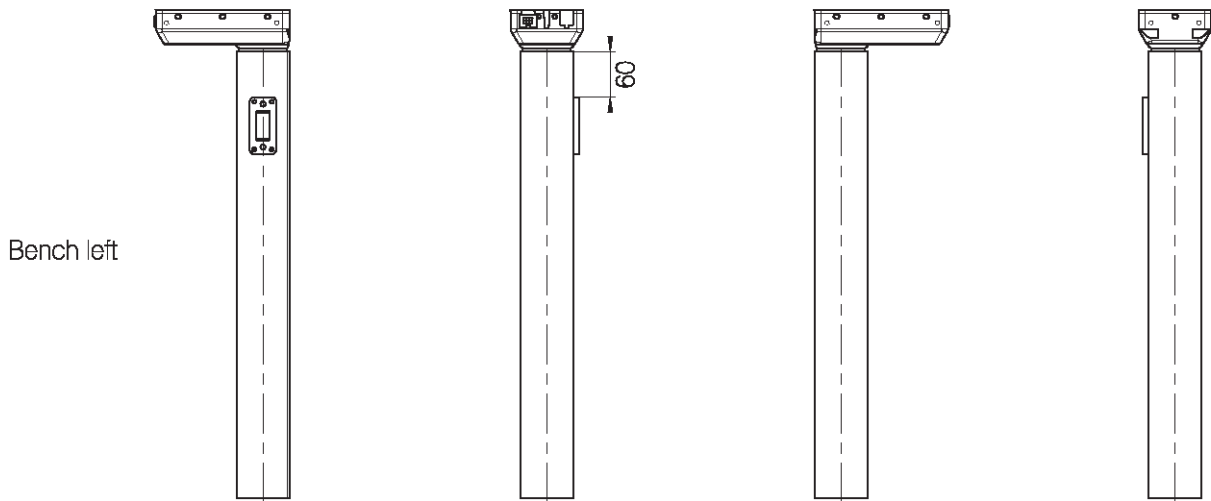
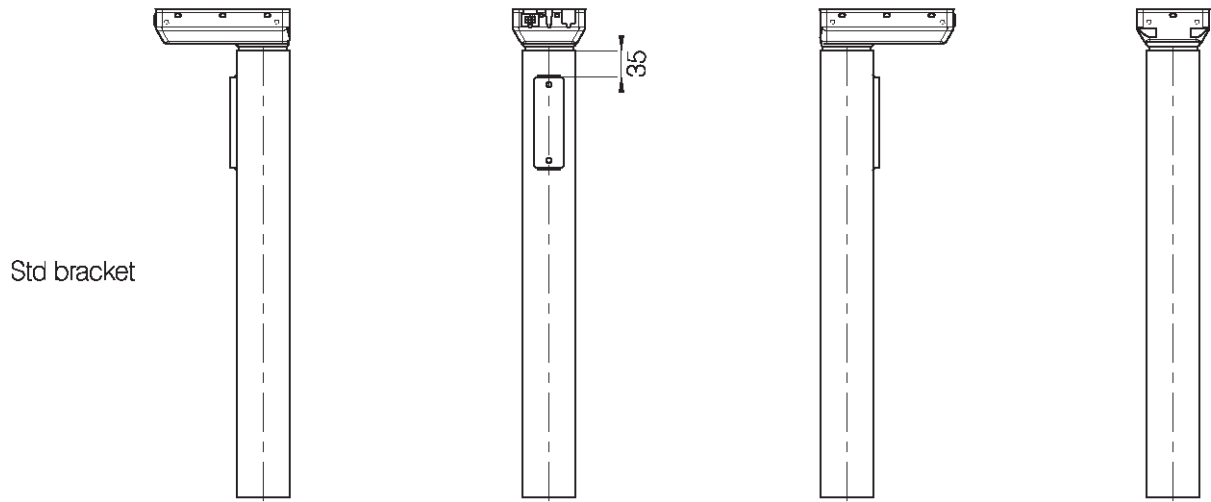


Version	Combination code	B (Built-in length) [mm]	S (Stroke length) [mm]	O (Outer profile length) [mm]
EU	DL18xxxxx500645	645	500	590

DL18 built-in length, stroke length, and outer profile length (mm)

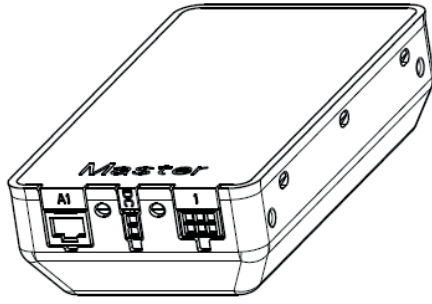


DL18 IC dimensions (mm)

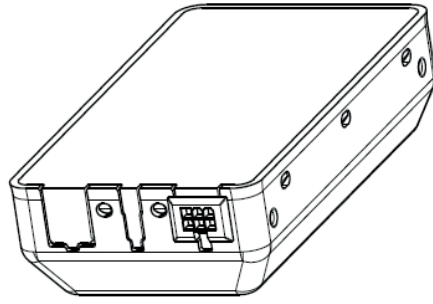


Combination code	Std bracket	Bench left	Bench right
DL18xx1xxxxxxxxx	X		
DL18xxLxxSxxxxxx		X	
DL18xxRxxMxxxxxx			X

Bracket options (dimensions in mm)



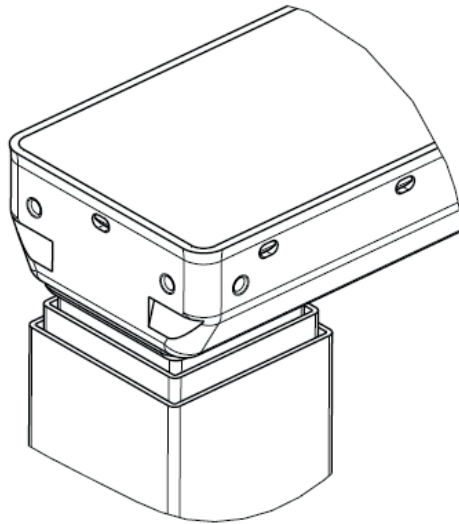
IC Master



IC Follower

Combination code	Type
DL18xxxxxMxxxxxx	IC Master
DL18xxxxxSxxxxxx	IC Follower

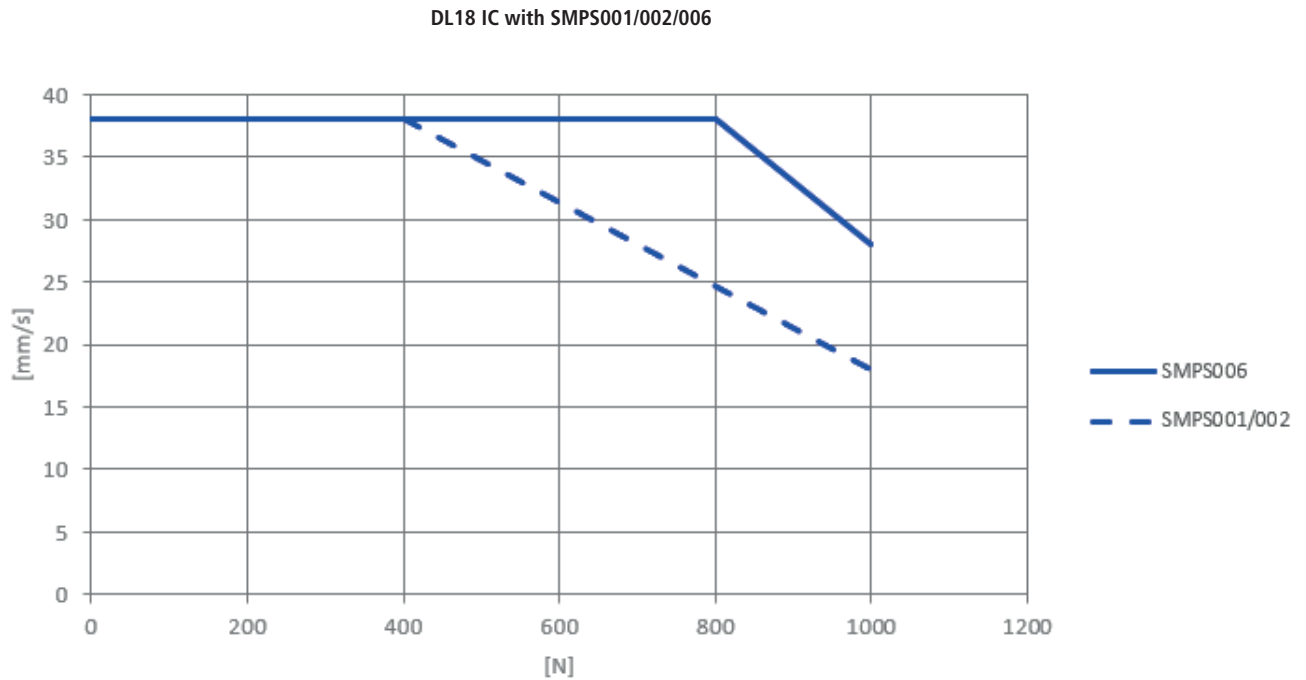
Socket combination



PLUS™

Profile designs

Performance curves



The data above are measured in connection with two DL18 IC lifting columns and SMPS001/002/006. The desk is driving upwards.



The curves above apply to a centrally placed load. With moment load, there will be increased friction in the columns, which will reduce the lifting force correspondingly.



The end-stop system in the DL18 IC is based on a buffer system, meaning that you must be aware of the lengths when initialising. The products must be able to drive:

Inward direction: Installation dimension - tolerances - 5 mm
 Outward direction: Installation dimension + stroke length + tolerances + 5 mm