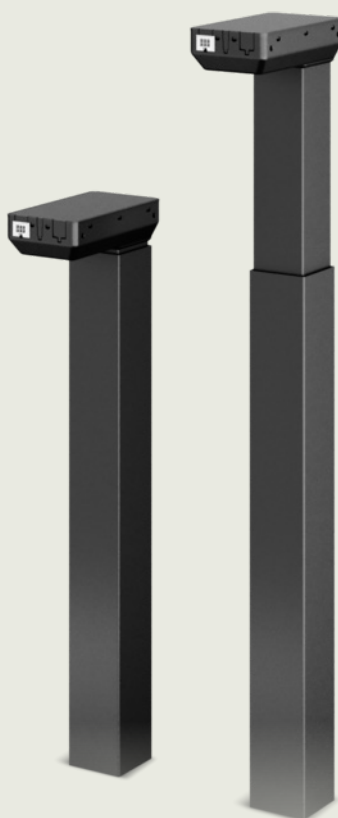


DL18 EXPERIENCE™

Data Sheet





The DL18 EXPERIENCE™ column is part of a whole new generation of lifting columns, raising the bar for electrically height-adjustable desks with true LINAK innovation. On the outside the DL18 EXPERIENCE looks like a classic DL18 PLUS™ column. The real innovation has happened on the inside.

The EXPERIENCE columns are the first 2-part LINAK columns that feature fast 80 mm/s speed. Furthermore, the DL18 EXPERIENCE feature 800 N load per column, and a self-lock of 1200 N as standard. These three features could previously not coexist in one system. Together with a well-rounded pleasant sound, these features make DL18 EXPERIENCE push the boundaries of what is standard and raise the bar for performance.

Additionally, the 70 x 70 mm square 2-part column is both PVC and PFAS-free addressing the increasing focus on materials and, on top of that, it uses 30% less power while driving than its predecessor, despite the increase in performance. Our standard Control Box CBD6S features ZERO™ ensuring that the system uses less than 0.1 W in standby. Compatibility with DESKLINE® desk panels and all accessories ensures that the integration of DL18 EXPERIENCE is just Plug & Play™. Simply put, EXPERIENCE is engineered to perform and built to last without any sacrifices or compromises making it a perfect choice for office desks and similar desk applications.

Features/Options/Compatibility/Usage

Features

- Two-part motor-housing column
- PLUS™: Invisible gliding pads and a smooth outer profile with no punch marks
- In combination with CBD6S:

Parameter	With CBD6S
Max. speed (unloaded)	80 mm/s
Max. load (per column)	800 N
Self-lock (per column)	1200 N

- Installation dimension: 645 mm
- Stroke length: 500 mm
- Weight: Approximately 6.6 kg per column
- Dimensions column: 70 x 70 mm (see also [Dimension drawings](#)).
- Dimension motor housing: 177 x 97 x 46 mm
- Four M6 and two M8 threaded holes in bottom plate for mounting of feet
- Colour: Available in black (RAL 9005), grey (RAL 9006) or white (RAL 9016)
- Low sound level

Options

- Trim ring in black, grey or white
- Available with bench bracket, see [Dimension drawings](#)
- Available with custom brackets
- Custom colours
- Available as DESKLIFT™ EXPERIENCE SetPack

Compatibility

- DESKLINE® control boxes
- DESKLINE® controls
- Kick & Click™ top frame
- Desk Frame 5 top frame
- DESKLIFT™ Feet

EXPERIENCE™ columns are compatible with DESKLINE® control boxes with SW03002024 (ver. 1.06 or later) or SW03002026 (ver. 1.15 or later).

Usage

- Single or 2, 3 or 4 parallel drive
- Duty cycle:
Load \leq 600 N: 10% \approx max. 60 seconds continuous use, followed by 540 seconds pause
Load $>$ 600 N: 5% \approx max. 30 seconds continuous use, followed by 570 seconds pause
- For indoor use in dry locations

Parameter	Operation	Storage and transportation
Temperature	10 to 40 °C	-10 to +50 °C
Relative humidity	20% to 80% - non-condensing	20% to 80% - non-condensing
Atmospheric pressure	800 to 1060 hPa	700 to 1060 hPa
Altitude	Max. 2000 m	N/A



Duty cycle:

If you plan to perform lifetime tests on LINAk systems, please contact LINAk for guidelines.



For system compliance, please refer to the Declaration of Conformity in the [User Manual](#) and the [CBD6S Data Sheet](#).

Ordering

Bulk

DL18		
MOTOR TYPE	F	F = EXPERIENCE Motor
SPINDLE PITCH	30	30 = 30 mm pitch
OPTION	0	0 = Standard
OPTION	0	0 = Standard
COLOUR	B001	A120 = Grey (RAL 9006) B001 = Black (RAL 9005) D022 = White (RAL 9016)
TRIM RING	0	0 = None A = Grey B = Black D = White
BRACKET	0	0 = None 1 = 120 x 40 x 8 mm (with 2 x M8) L = Bench bracket on left side R = Bench bracket on right side V = DESKLINE bench bracket on left side * H = DESKLINE bench bracket on right side *
DESIGN	P	P = PLUS serie
OPTION	0	0 = Standard
OPTION	0	0 = Standard
OPTION	0	0 = Standard
OPTION	0	0 = Standard
OPTION	0	0 = Standard
OPTION	0	0 = Standard
OPTION	0	0 = Standard
STROKE LENGTH	0500	0500 = 500 mm
INSTALLATION DIM.	645	645 = 645 mm

DL18F3000B00100P0000000500645

* Columns with DESKLINE bench bracket (H / V) are compatible with the LINAK cross member set for a complete bench solution. Cross members sets, cable trays, and bridges must be ordered separately.



Please also refer to the [DESKLINE bench accessories Data Sheet](#).



All cables for creating a fully connected DESKLINE® system must be ordered separately. We offer a range of different versions and lengths. To get information such as ordering number, and colour and length of the cables, please contact your local LINAK.

SetPack

The EXPERIENCE columns are available as set-packed solutions comprising 2 columns, a control box, mains and motor cables, and a control. For combination options, please refer to the overview below.

As the set-packed EXPERIENCE columns cannot be ordered via eCon, please issue a system specification.

	DLS	
DESK TYPE	6	6 = 2 PLUS legs
COLUMN TYPE	DL18	DL18 = DL18
PITCH	2	2 = EXPERIENCE - 30 mm pitch
MOTOR TYPE	F	F = EXPERIENCE G = EXPERIENCE + DS1
COLOUR	B	A = Grey (RAL 9006) D = White (RAL 9016) B = Black (RAL 9005)
BRACKET	0	0 = No bracket 1 = Standard (120 x 40 x 8 mm) 2 = Bench L+R 3 = Bench V+H *
STROKE LENGTH	500	500 = 500 mm
INSTALLATION DIM.	645	645 = 645 mm
CONTROL BOX	A	A = CBD6S, 200 W, EU 0 = None B = CBD6S, 200 W, US
MAINS CABLE	AA	AA = EU, 2.0 m ** AC = US, 3.2 m AE = EU, 3.2 m AH = KOR, 3.2 m AJ = JP, 3.2 m AB = UK, 3.2 m AD = CH, 3.2 m AG = US, 3.2 m ** AI = EU, 3.2 m **
OPTION	0	0 = Standard
MOTOR CABLE	A	A = 1000 mm C = 2000 mm E = 0500 mm B = 1550 mm D = 2500 mm F = 0800 mm
DESK PANEL	AA	A0 = No desk panel AA = DPA AB = DPB AC = DPF1K with sensor AD = DPG1K AE = DPG1M, Full version AF = DPG1M, Limited version AG = DPG1B, Full version AH = DPG1B, Limited version AI = DPG1C, Full version, inch AJ = DPG1C, Full version, cm AK = DPF1K AL = DPG1C, Limited version, inch AM = DPG1C, Limited version, cm AN = DPF1M AO = DPF1D, cm AP = DPF1D, inch AQ = DPF1C, cm AR = DPF1C, inch AS = DPF1C with sensor, cm AT = DPF1C with sensor, inch AU = DPF1D with sensor, cm AV = DPF1D with sensor, inch AX = DPI1C, inch AY = DPI1C, cm AZ = DPI1K
DPF BRACKET	0	0 = No bracket B = 90°
MOUNTING KIT	0	0 = No mounting kit 1 = Mounting kit (screws for all DPs)
TRIM RINGS	0	0 = None A = Grey B = Black D = White

DLS6DL182FB0500645AAA0AAA000

-
- * Columns with *DESKLINE* bench bracket (H / V) are compatible with the *LINAK* cross member set for a complete bench solution. Cross members sets, cable trays, and bridges must be ordered separately.



Please also refer to the [DESKLINE bench accessories Data Sheet](#).

** PVC free cables

Technical data

Performance curves

The following data is measured in connection with 2 or 3 lifting columns and control box CBD6S. The desk is driving upwards.



The curves below apply to a centrally placed load. With moment load, there will be increased friction in the columns, which will reduce the lifting force correspondingly.

EXPERIENCE columns (800 N; 30 mm spindle)

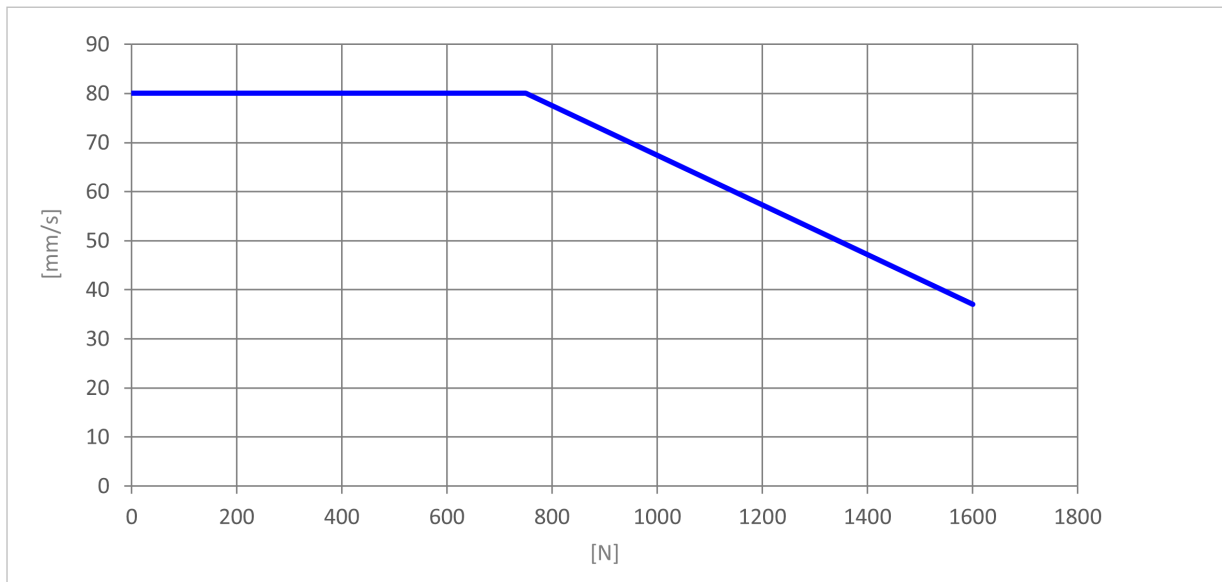


Figure 1 Two columns (equally loaded) - typical speed with CBD6S (230 V) 200 W

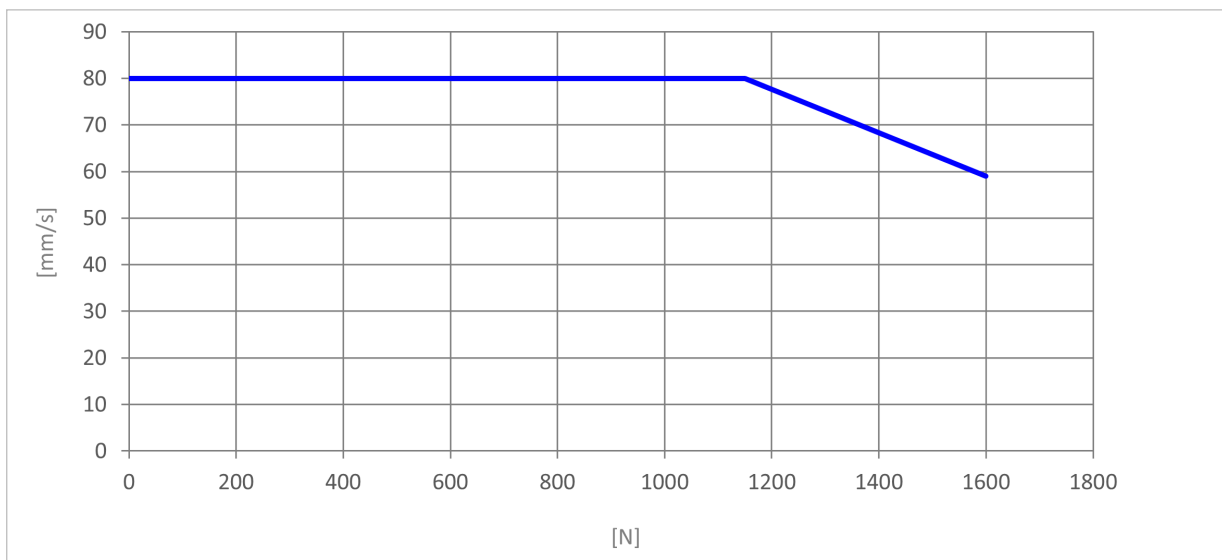


Figure 2 Two columns (equally loaded) - typical speed with CBD6S (230 V) 300 W

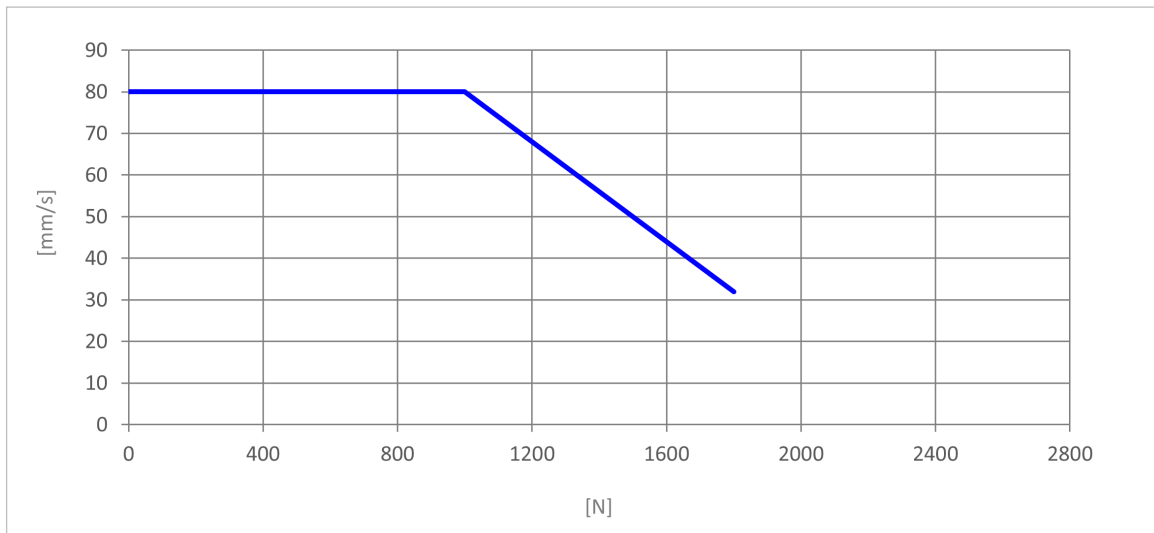

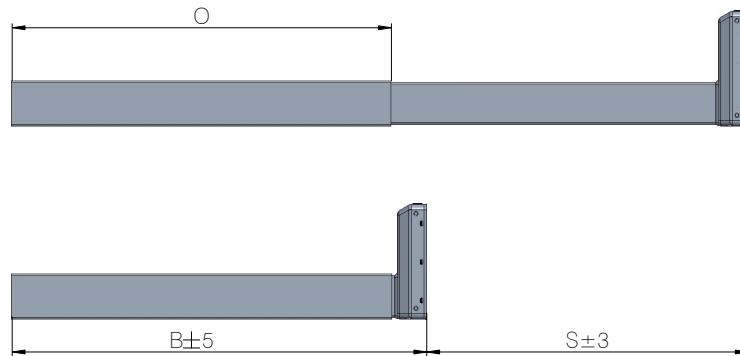


Figure 3 Three columns (equally loaded) - typical speed with CBD6S (230 V) 300 W

Dimension drawings

 All dimensions are in mm.

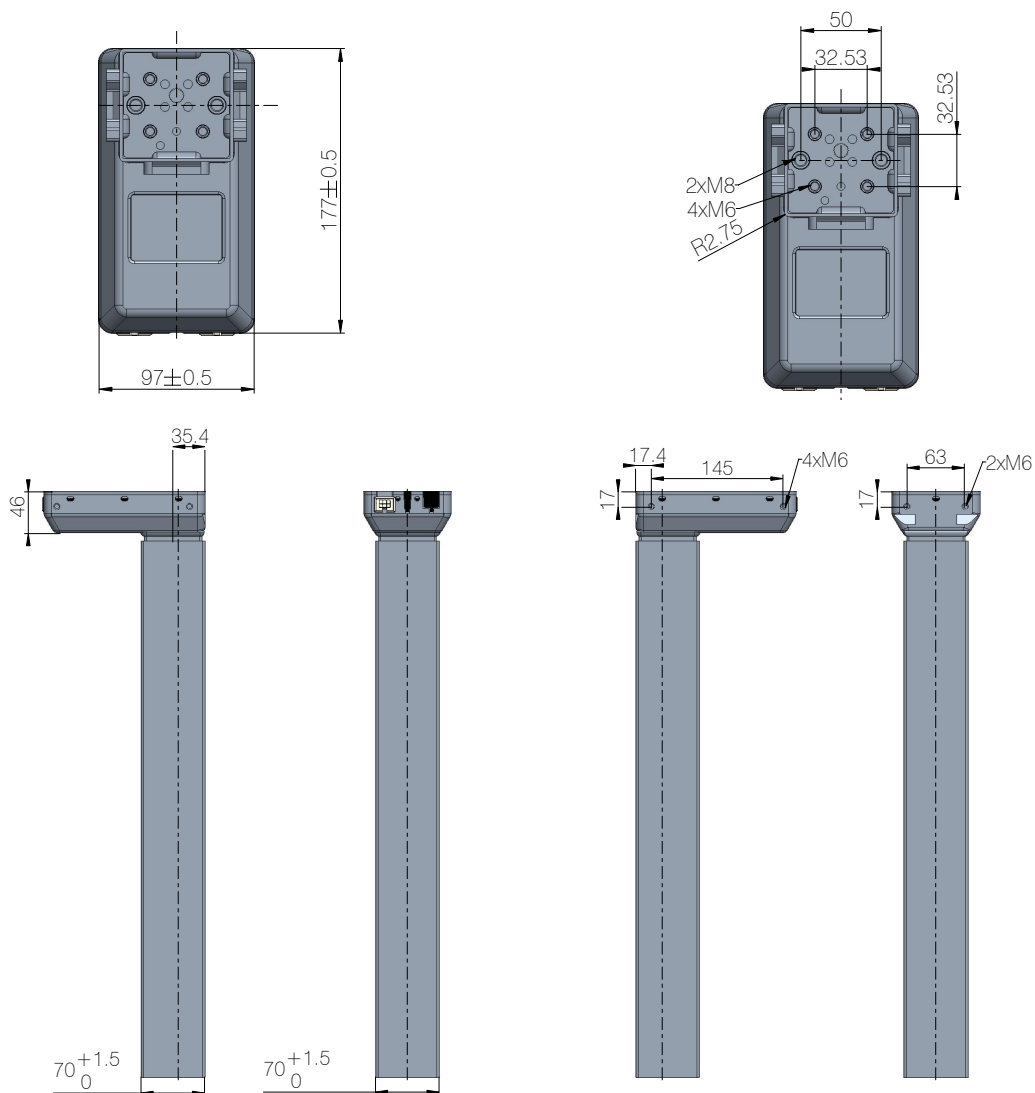
Columns



Drawing no. 1029W7903

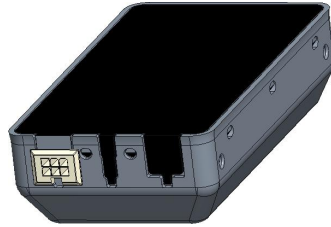
Version	Combination code	S (Stroke length)	B (Built-in length)	O (Outer profile length)
Standard	DL18FXXXXXXXXXXXXXXXXXX0500645	500	645	590

Figure 4 Built-in length, stroke length, and outer profile length



Drawing no. 1029W7903

Figure 5 Motor housing, bottom plate, and profile

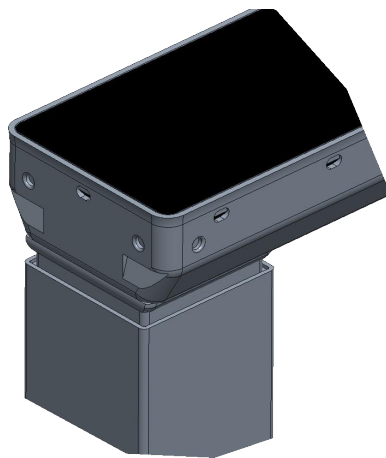


Standard

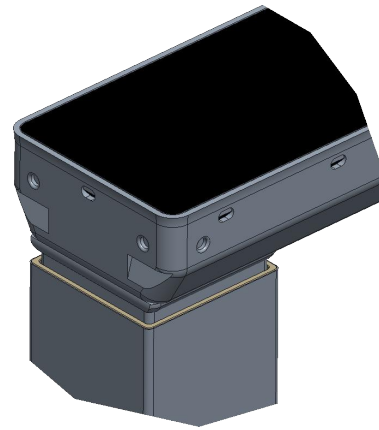
Drawing no. 1029W7903

Combination code	Type
DL18Fxxxxxxxxxxxxxxxxxxxxxxx	Standard

Figure 6 Socket combination



Without trim ring

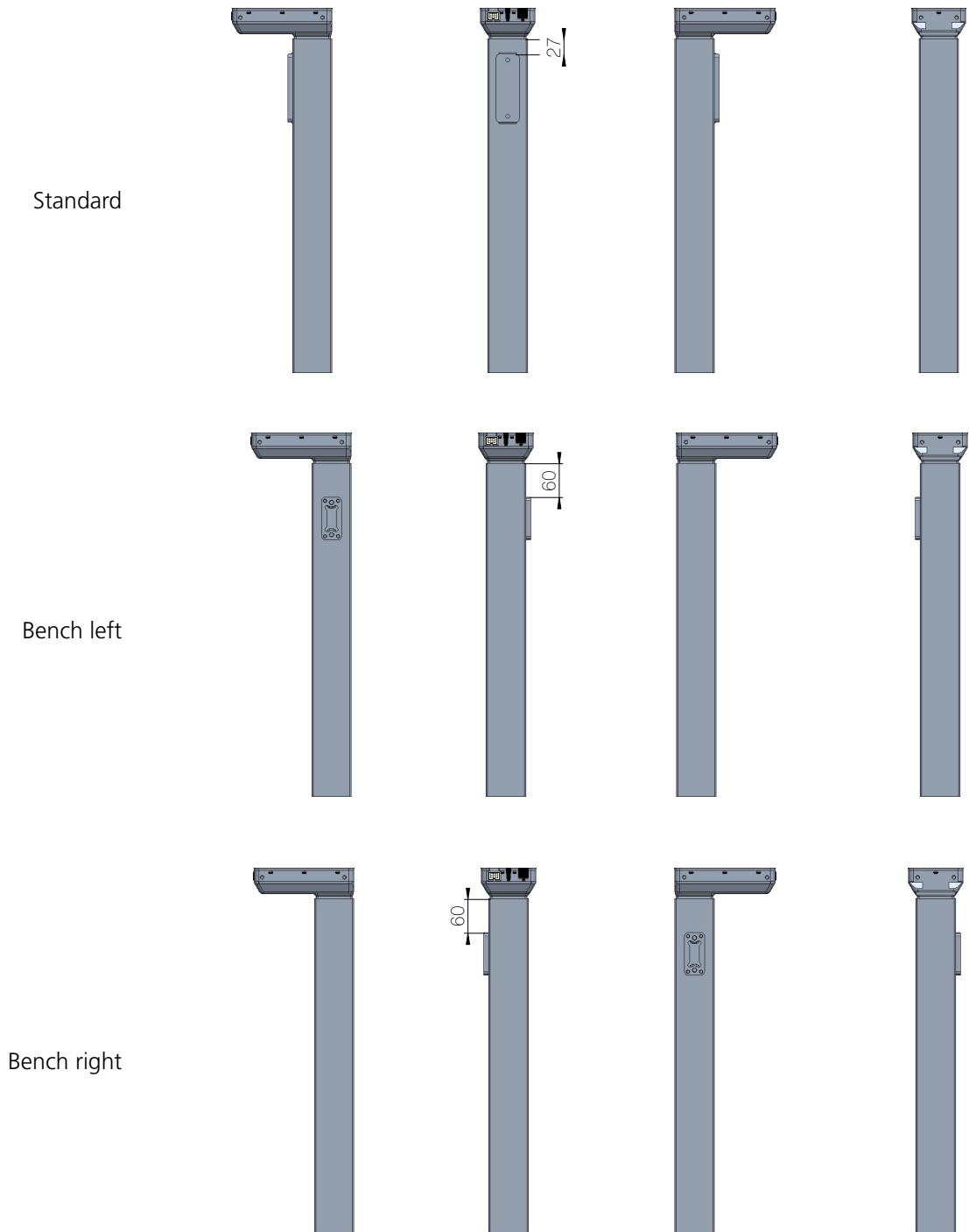


With trim ring

Drawing no. 1029W7903

Figure 7 Design

Bracket options

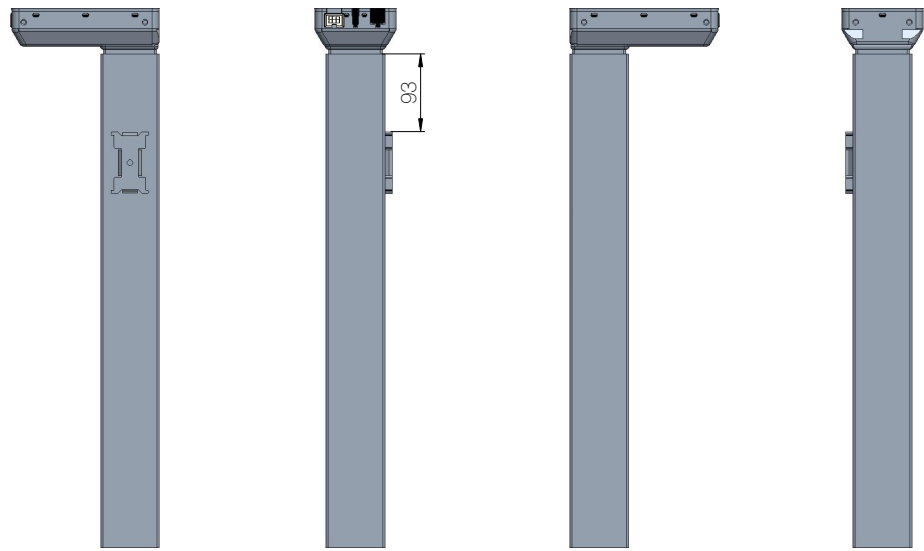


Drawing no. 1029W7903

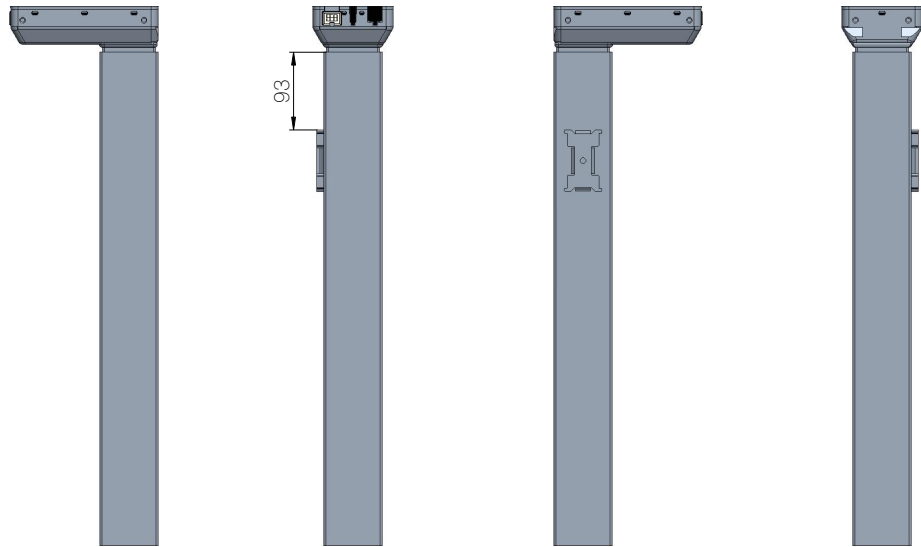
Combination code	Std bracket	Bench left	Bench right
DL18Fxxxxxxxx1xxxxxxxxxxxx	X		
DL18FxxxxxxxxLxxxxxxxxxxxx		X	
DL18FxxxxxxxxRxxxxxxxxxxxx			X

Figure 8 Bracket options (types standard, L, and R)

DESKLINE bench left



DESKLINE bench right



Drawing no. 1029W7903

Combination code	DESKLINE bench left	DESKLINE bench right
DL18FxxxxxxxxxVxxxxxxxxxxxxxx	X	
DL18FxxxxxxxxxHxxxxxxxxxxxxxx		X

Figure 9 Bench bracket options (types V and H) - compatible with LINAK cross members

Brackets

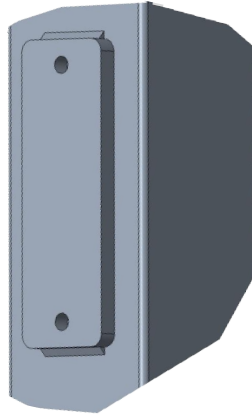


Figure 11 Standard bracket

Drawing no. 1029W7903

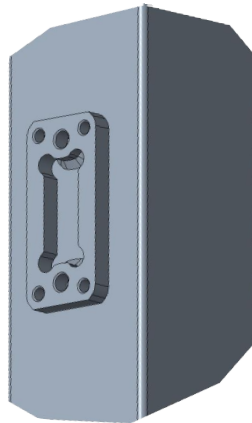


Figure 12 Bench bracket (type L and R)

Drawing no. 1029W7903

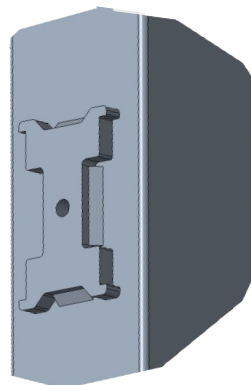
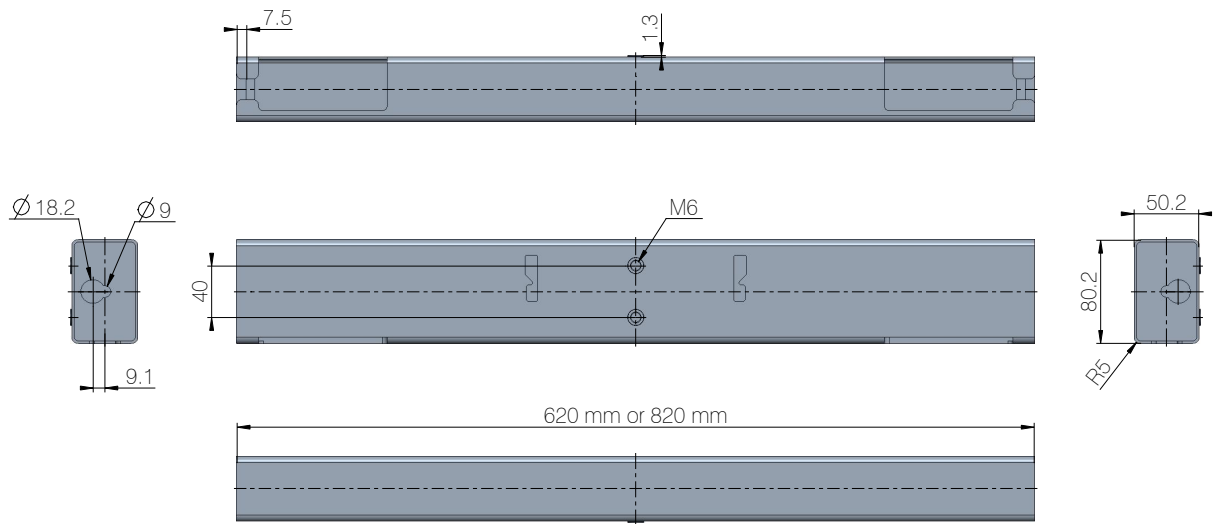


Figure 10 DESKLINE Bench bracket (types V and H) - compatible with LINAK cross members

Drawing no. 1029W7903

Cross members



Drawing no. 1066W4030

Figure 13 Cross member

Contacts

FACTORIES

Denmark - Headquarters
 LINAK A/S
 Phone: +45 73 15 15 15
 Fax: +45 74 45 80 48
 Fax (Sales): +45 73 15 16 13
 Web: www.linak.com

China
 LINAK (Shenzhen) Actuator Systems, Ltd.
 Phone: +86 755 8610 6656
 Phone: +86 755 8610 6990
 Web: www.linak.cn

Slovakia
 LINAK Slovakia s.r.o.
 Phone: +421 51 7563 444
 Web: www.linak.sk

Thailand
 LINAK APAC Ltd.
 Phone: +66 33 265 400
 Web: www.linak.com

USA
 LINAK U.S. Inc.
 Americas Headquarters
 Phone: +1 502 253 5595
 Fax: +1 502 253 5596
 Web: www.linak-us.com
 www.linak-latinamerica.com

SUBSIDIARIES

Australia
 LINAK Australia Pty. Ltd
 Phone: +61 3 8796 9777
 Fax: +61 3 8796 9778
 E-mail: sales@linak.com.au
 Web: www.linak.com.au

Austria
 LINAK Zweigniederlassung - Österreich (Wien)
 Phone: +43 (1) 890 7446
 Fax: +43 (1) 890 744615
 E-mail: info@linak.de
 Web: www.linak.at - www.linak.hu

Belgium
 LINAK Actuator-Systems NV/SA
 (Belgium & Luxembourg)
 Phone: +32 (0)9 230 01 09
 E-mail: beinfo@linak.be
 Web: www.linak.be - www.fr.linak.be

Brazil
 LINAK Do Brasil Comércio De Atuadores Ltda.
 Phone: +55 (11) 2832 7070
 Fax: +55 (11) 2832 7060
 E-mail: info@linak.com.br
 Web: www.linak.com.br

Canada
 LINAK Canada Inc.
 Phone: +1 502 253 5595
 Fax: +1 416 255 7720
 E-mail: info@linak.ca
 Web: www.linak-us.com

Czech Republic
 LINAK C&S s.r.o.
 Phone: +42 058 174 1814
 Fax: +42 058 170 2452
 E-mail: info@linak.cz
 Web: www.linak.cz - www.linak.sk

Denmark - International
 LINAK International
 Phone: +45 73 15 15 15
 E-mail: info@linak.com
 Web: www.linak.com

Denmark - Sales
 LINAK Danmark A/S
 Phone: +45 86 80 36 11
 Fax: +45 86 82 90 51
 E-mail: linak@linak-silkeborg.dk
 Web: www.linak.dk

Finland
 LINAK OY
 Phone: +358 10 841 8700
 E-mail: linak@linak.fi
 Web: www.linak.fi

France
 LINAK France E.U.R.L
 Phone: +33 (0) 2 41 36 34 34
 Fax: +33 (0) 2 41 36 35 00
 E-mail: linak@linak.fr
 Web: www.linak.fr

Germany
 LINAK GmbH
 Phone: +49 6043 9655 0
 Fax: +49 6043 9655 60
 E-mail: info@linak.de
 Web: www.linak.de

India
 LINAK A/S India Liaison Office
 Phone: +91 120 4531797
 Fax: +91 120 4786428
 E-mail: info@linak.in
 Web: www.linak.in

Ireland
 LINAK UK Limited (Ireland)
 Phone: +44 (0)121 544 2211
 Fax: +44 (0)121 544 2552
 +44 (0)796 855 1606 (UK Mobile)
 +35 387 634 6554 (Rep.of Ireland Mobile)
 E-mail: sales@linak.co.uk
 Web: www.linak.co.uk

Italy
 LINAK ITALIA S.r.l.
 Phone: +39 02 48 46 33 66
 Fax: +39 02 48 46 82 52
 E-mail: info@linak.it
 Web: www.linak.it

Japan
 LINAK K.K.
 Phone: 81-45-533-0802
 Fax: 81-45-533-0803
 E-mail: linak@linak.jp
 Web: www.linak.jp

Malaysia
 LINAK Actuators Sdn. Bhd.
 Phone: +60 4 210 6500
 Fax: +60 4 226 8901
 E-mail: info@linak-asia.com
 Web: www.linak.my

Netherlands
 LINAK Actuator-Systems B.V.
 Phone: +31 76 5 42 44 40 /
 +31 76 200 11 10
 E-mail: info@linak.nl
 Web: www.linak.nl

New Zealand
 LINAK New Zealand Ltd
 Phone: +64 9580 2071
 Fax: +64 9580 2072
 E-mail: nzsales@linak.com.au
 Web: www.linak.com.au

Norway
 LINAK Norge AS
 Phone: +47 32 82 90 90
 E-mail: info@linak.no
 Web: www.linak.no

Poland
 LINAK Polska
 LINAK Danmark A/S (Spółka Akcyjna)
 Phone: +48 22 295 09 70 /
 +48 22 295 09 71
 E-mail: info@linak.pl
 Web: www.linak.pl

Republic of Korea
 LINAK Korea Ltd.
 Phone: +82 2 6231 1515
 Fax: +82 2 6231 1516
 E-mail: info@linak.kr
 Web: www.linak.kr

Slovakia
 LINAK Slovakia S.R.O.
 Phone: +421 51 7563 444
 Web: www.linak.sk

Spain
 LINAK Actuadores, S.L.u
 Phone: +34 93 588 27 77
 Fax: +34 93 588 27 85
 E-mail: esma@linak.es
 Web: www.linak.es

Sweden
 LINAK Scandinavia AB
 Phone: +46 8 732 20 00
 Fax: +46 8 732 20 50
 E-mail: info@linak.se
 Web: www.linak.se

Switzerland
 LINAK AG
 Phone: +41 43 388 31 88
 E-mail: info@linak.ch
 Web: www.linak.ch - www.fr.linak.ch
 www.it.linak.ch

Taiwan
 LINAK (Shenzhen) Actuator systems Ltd.
 Taiwan Representative office
 Phone: +886 2 272 90068
 Fax: +886 2 272 90096
 E-mail: sales@linak.com.tw
 Web: www.linak.com.tw

Turkey
 LINAK İth. İhr. San. ve Tic. A.Ş.
 Phone: +90 312 4726338
 Fax: +90 312 4726635
 E-mail: info@linak.com.tr
 Web: www.linak.com.tr

United Kingdom
 LINAK UK Limited
 Phone: +44 (0)121 544 2211
 Fax: +44 (0)121 544 2552
 E-mail: sales@linak.co.uk
 Web: www.linak.co.uk

DISTRIBUTORS

Argentina
 Novotec Argentina SRL
 Phone: 011-4303-8989 / 8900
 Fax: 011-4032-0184
 E-mail: info@novotecargentina.com
 Web: www.novotecargentina.com

Colombia
 MEM Ltda
 Phone: +[57] (1) 334-7666
 Fax: +[57] (1) 282-1684
 E-mail: servicioalcliente@memltda.com.co
 Web: www.mem.net.co

India
 Mechatronics Control Equipments India Pvt Ltd
 Phone: +91-44-28558484, 85
 E-mail: bala@mechatronicscontrol.com
 Web: www.mechatronicscontrol.com

Indonesia
 PT. Himalaya Everest Jaya
 Phone: +6 221 544 8956 /+6 221 544 8965
 Fax: +6 221 619 1925
 Fax (Sales): +6 221 619 4658
 E-mail: hejplastic-div@centrin.net.id
 Web: www.hej.co.id

Israel
 NetivTech LTD
 Phone: +972 55-2266-535
 Fax: +972 2-9900-560
 Email: info@NetivTech.com
 Web: www.netivtech.com

Singapore
 Servo Dynamics Pte Ltd
 Phone: +65 6844 0288
 Fax: +65 6844 0070
 E-mail: servodynamics@servo.com.sg

South Africa
 Industrial Specialised Applications CC
 Phone: +27 011 466 0346
 E-mail: gartht@isagroup.co.za
 Web: www.isaza.co.za

United Arab Emirates
 Mechatronics
 Phone: +971 4 267 4311
 Fax: +971 4 267 4312
 E-mail: mechtron@emirates.net.ae

Terms of use

LINAK® takes great care in providing accurate and up-to-date information on its products. However, the user is responsible for determining the suitability of LINAK products for a specific application. Due to continual development, LINAK products are subject to frequent modifications and changes. LINAK reserves the rights to conduct modifications, updates, and changes without any prior notice. For the same reason, LINAK cannot guarantee the correctness and actual status of imprinted information on its products.

LINAK uses its best efforts to fulfil orders. However, for the reasons mentioned above, LINAK cannot guarantee availability of any particular product at any given time. LINAK reserves the right to discontinue the sale of any product displayed on its website or listed in its catalogues or in other written material created and produced by LINAK, LINAK subsidiaries, or LINAK affiliates. All sales are subject to the 'Standard Terms of Sale and Delivery for LINAK A/S' available on LINAK websites. LINAK and the LINAK logotype are registered trademarks of LINAK A/S. All rights reserved.