

DL18

Data Sheet





The DESKLIFT™ DL18 is a compact two-part lifting column with square profiles and a motor housing. It comes with invisible gliding pads for a clean design and is a perfect choice for a wide range of different desk applications, especially in the office area. The DL18 lifting column has the same outer dimensions (70 x 70 mm) and mounting holes as the three-part DL19 column. Thus, they can be used in the same tabletop and table foot construction. For bench desks, the column is available with a bench bracket. The DL18 column is very sturdy, and the compact motor housing makes the column easy to integrate in various desk designs.

The DL18 column is available in three standard colours (black, grey and white) - and can optionally be delivered in other colours. Trim rings for optimised appearance are available in black, grey or white.

The DL18 lifting columns are controlled by a DESKLINE® control box (CBD), which ensures optimal parallel drive and a pleasantly low noise level. Depending on the control box, the DL18 columns can be used as a single column or with 2, 3 or 4 columns in parallel systems, or up to 16 columns in multi-parallel systems. A variety of desk panels can be used for adjusting the desk. A Desk Sensor™ 1 anti-collision dongle can be plugged into the control box to limit material damage to a desk or an object in case a collision occurs during driving of the desk.

Features/Options/Usage

Features

- Two-part motor housing column
- PLUS™: Invisible gliding pads and a smooth outer profile with no punch marks
- Max. load 800 N per column
- Max. speed 38 mm/s unloaded
- Installation dimension 645 mm
- Stroke length 500 mm
- Weight: Approximately 6.5 kg per column
- Dimensions column: 70 x 70 mm (outer profile) and 63.6 x 63.6 mm (inner profile). See also [Dimension drawings](#).
- Dimension motor housing: 177 x 97 x 46 mm
- Bending moment: $M_y = \max. 150 \text{ Nm}$ dynamic
- Colour: Available in black (RAL 9005), grey (RAL 9006) or white (RAL 9016)
- Low noise level

Options

- Available with bench bracket
- Mounting bracket for a crossbar in a parallel system (40 x 120 mm)
- Available with trim ring in black, grey or white

Usage

- Single or 2, 3 or 4 parallel drive or even multi-parallel with up to 16 columns
- Duty cycle: 10 % \approx 2 minutes continuous use at full load, followed by 18 minutes pause
- For indoor use in dry locations
- Ambient temperature: 10 to 40 °C
- Storage and transportation temperature: -10 to +70 °C
- Compatible with DESKLINE® control boxes and all DESKLINE® controls
- Compatible with the Kick & Click™ top frame
- Compatible with DESKLIFT™ Feet
- System compliance, see the Declaration of Conformity in the [User Manual](#)

Ordering

DL18		
SPINDLE TYPE	0	0 = 20 mm pitch (Standard)
TRIM RING	0	0 = No trim ring A = Grey trim ring B = Black trim ring D = White trim ring
MOUNTING BRACKET	0	0 = None 1 = 120 x 40 x 8 mm (with 2 x M8) L = Bench bracket on left side R = Bench bracket on right side V = Bench bracket on left side * H = Bench bracket on right side *
COLOUR	B	A = Grey (RAL 9006) B = Black (RAL 9005) D = White (RAL 9016)
OPTION	P	P = PLUS series
MOTOR TYPE	0	0 = Standard
STROKE LENGTH	500	500 = 500 mm
INSTALLATION DIM.	645	645 = 645 mm

Selected item type: **DL18000BP0500645**

*: Columns with bench bracket compatible with the LINAK cross member set for a complete bench solution. Cross members must be ordered separately



All cables for creating a fully connected DESKLINE® system must be ordered separately. We offer a range of different versions and lengths. For information such as ordering number, colour and cable lengths, please contact your local LINAK.

Performance curves

The following data is measured in connection with 2 to 4 lifting columns and control box CBD6S. The desk is driving upwards.



The curves below apply to a centrally placed load. With moment load, there will be increased friction in the columns, which will reduce the lifting force correspondingly.

DL18 800 N (20 mm spindle) with CBD6S

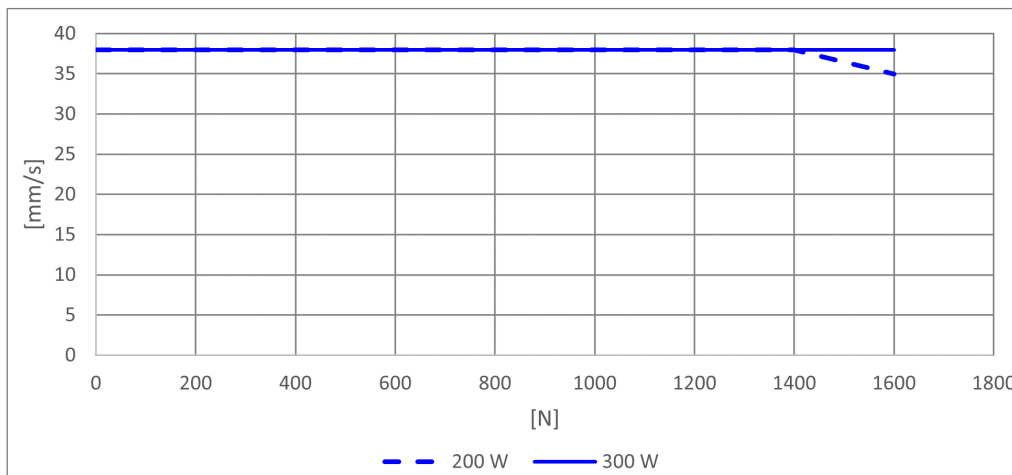


Figure 1 Two columns (equally loaded) with CBD6S

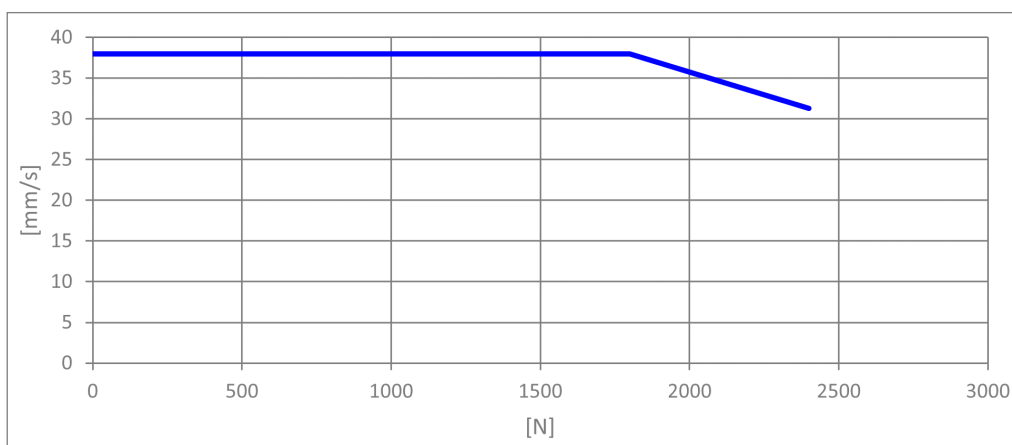


Figure 2 Three columns (equally loaded) with CBD6S (300 W)

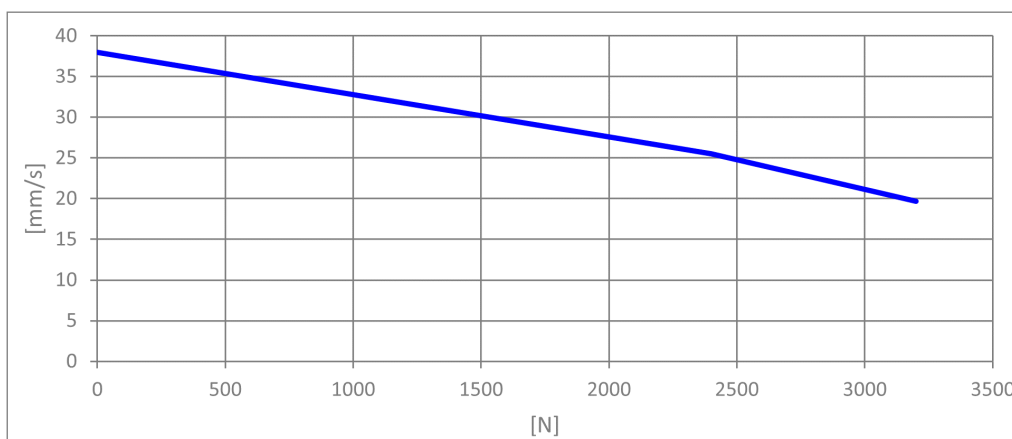
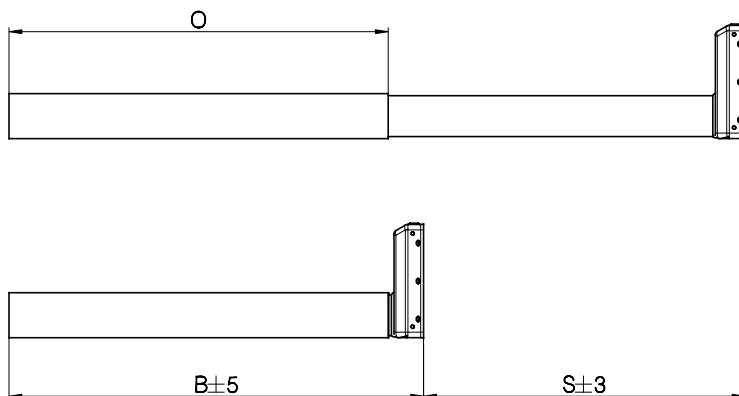


Figure 3 Four columns (equally loaded) with CBD6S (300 W)

Dimension drawings

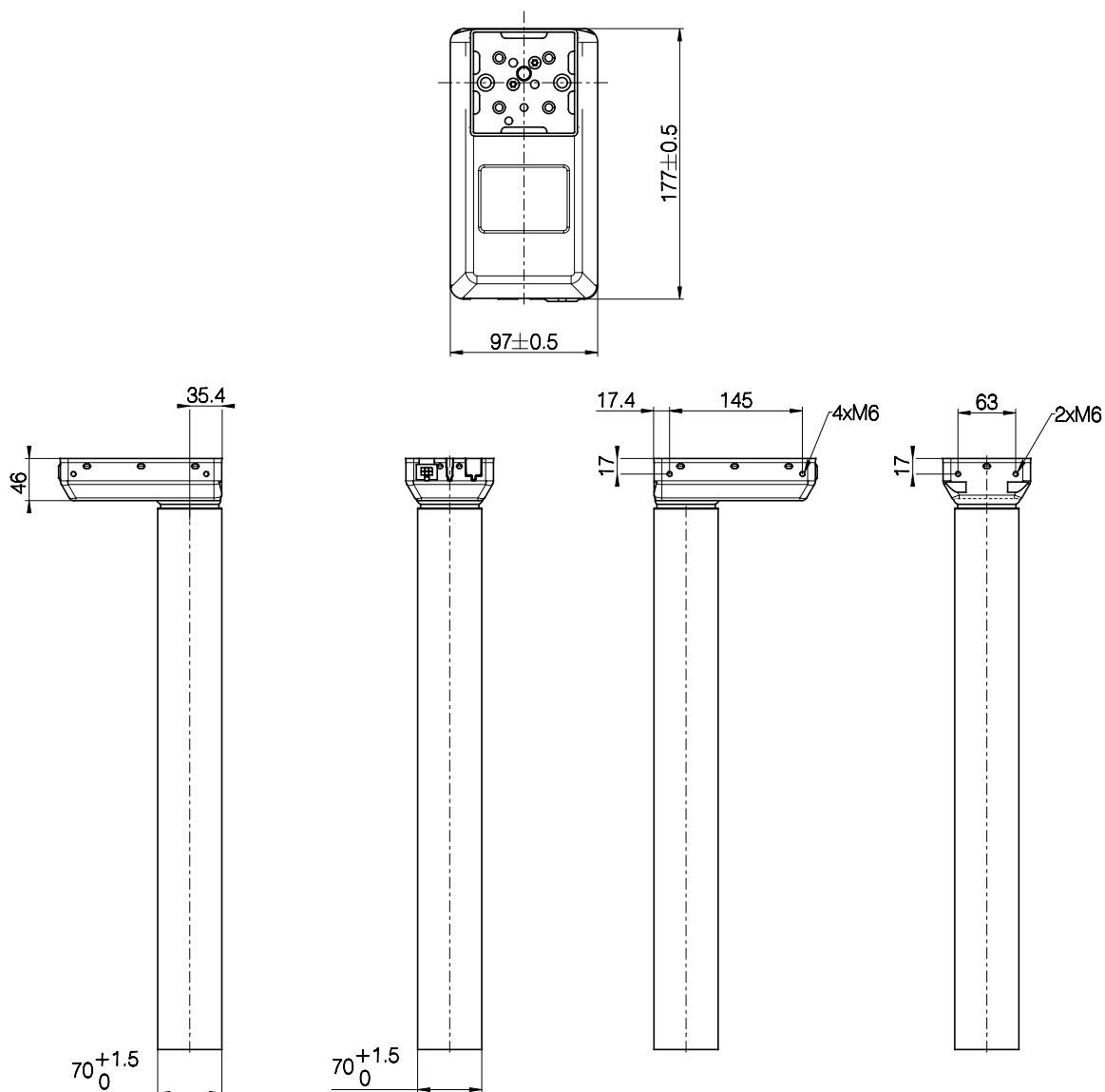
Columns



Drawing No. 1029W7903

Version	Combination code	B (Built-in length) [mm]	S (Stroke length) [mm]	O (Outer profile length) [mm]
EU	DL18xxxxx500645	645	500	590

Figure 4 Built-in length, stroke length, and outer profile length (mm)

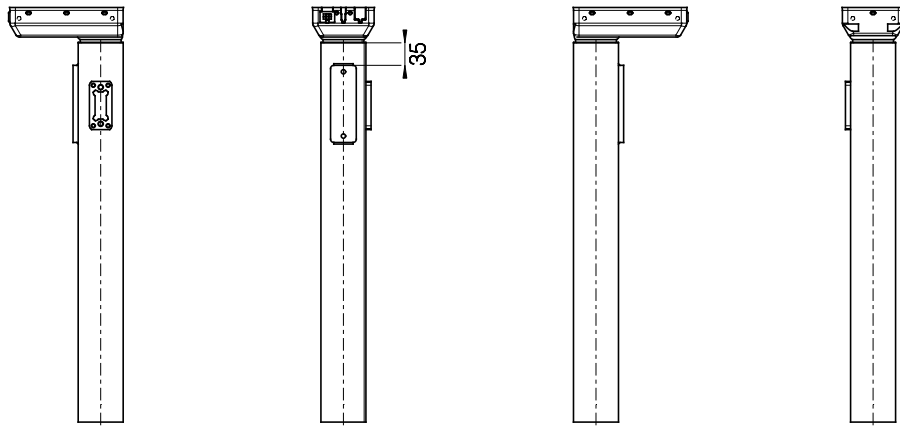


Drawing No. 1029W7903

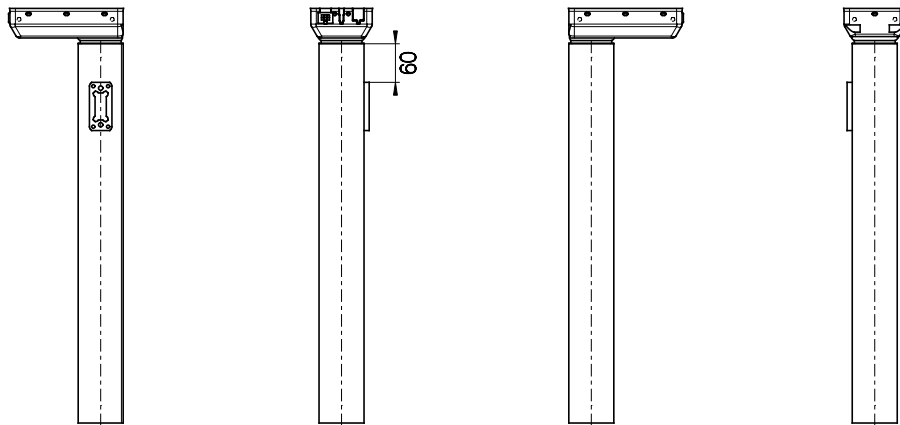
Figure 5 Motor housing and profile dimensions (mm)

Bracket options

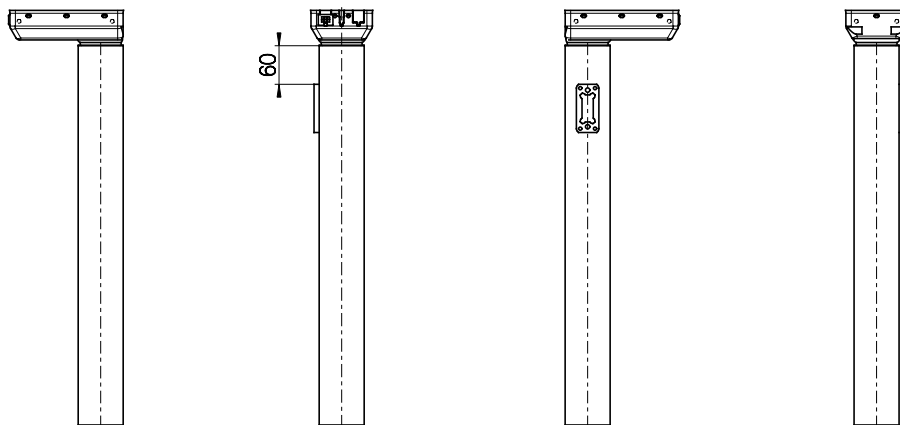
Standard



Bench left



Bench right

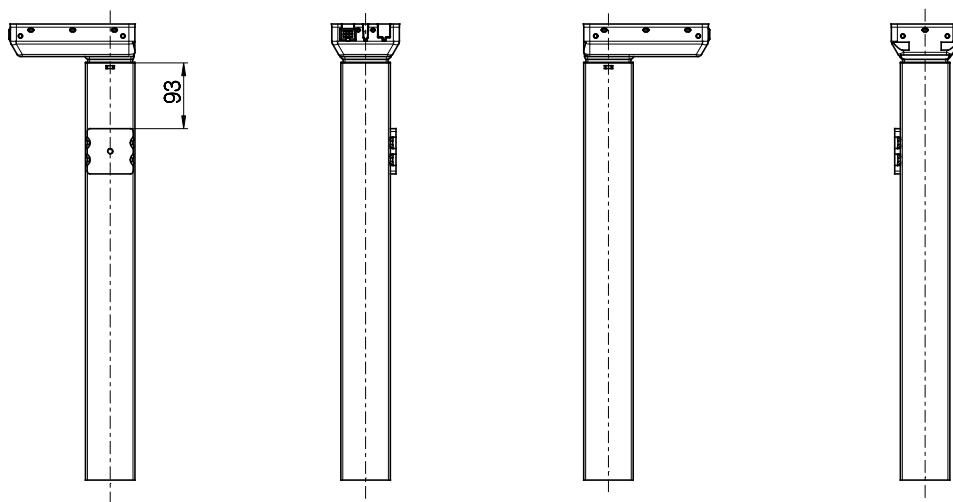


Drawing No. 1029W7903

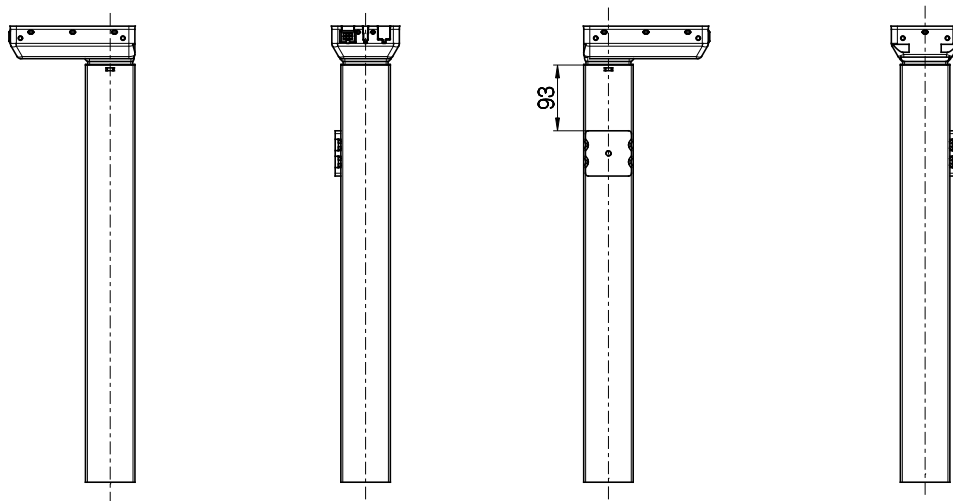
Combination code	Std bracket	Bench left	Bench right
DL18xx1xxxxxxxxx	X		
DL18xxLxxxxxxxxx		X	
DL18xxRxxxxxxxxx			X

Figure 6 Bracket options (dimensions in mm)

DESKLINE Bench left



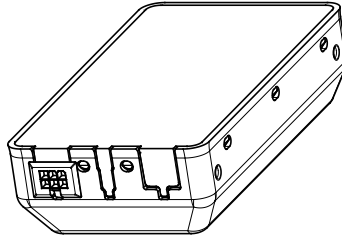
DESKLINE Bench right



Drawing No. 104297903

Combination code	DESKLINE Bench left	DESKLINE Bench right
DL18xxVxxxxxxxx	X	
DL18xxHxxxxxxxx		X

Figure 7 DESKLINE Bench bracket options (dimensions in mm)
(compatible with LINAK cross members)

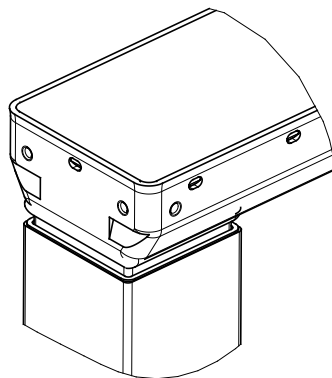


Standard

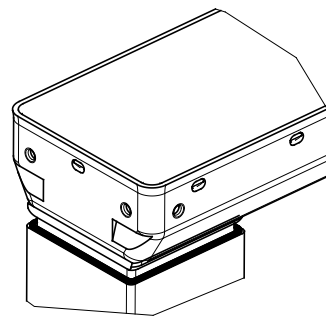
Drawing No. 1029W7903

Combination code	Type
DL18xxxxx0xxxxxx	Standard

Figure 8 Socket combination



PLUS™ without trim rings



PLUS™ with trim rings

Drawing No. 1029W7903

Figure 9 Profile design

Brackets

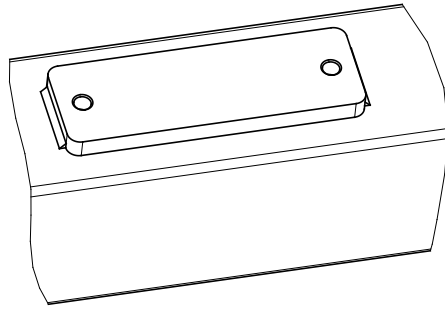


Figure 10 Standard bracket

Drawing No. 1029W7903

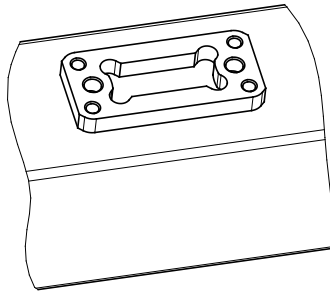
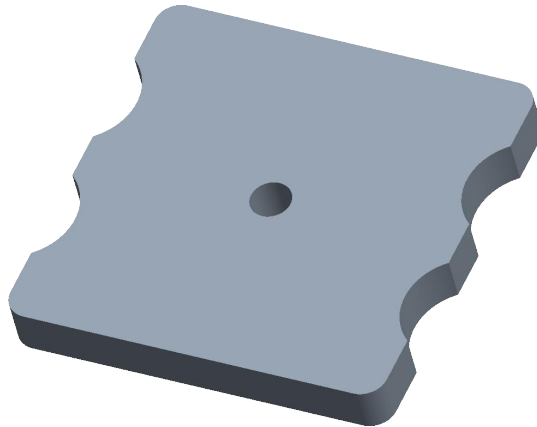


Figure 11 Bench bracket (types L and R)

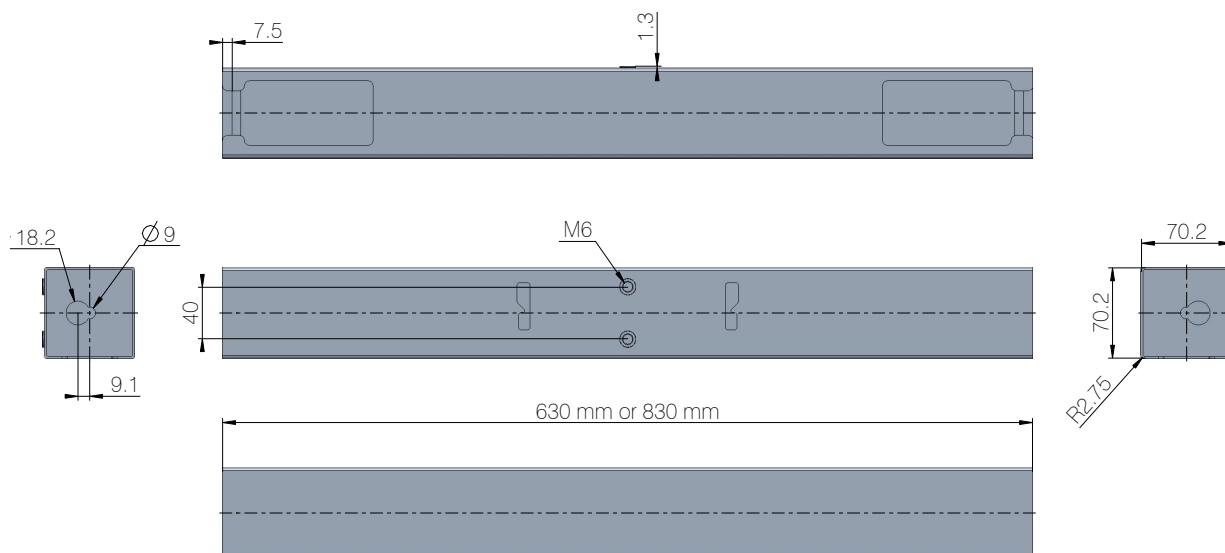
Drawing No. 1029W7903



Drawing No. 1066W4056

Figure 12 DESKLINE Bench bracket (types V and H) - compatible with LINAK cross members

Cross member



Drawing No. 1066W4028

Figure 13 Cross member dimensions (mm)

Contacts

FACTORIES

Denmark - Headquarters
 LINAK A/S
 Phone: +45 73 15 15 15
 Fax: +45 74 45 80 48
 Fax (Sales): +45 73 15 16 13
 Web: www.linak.com

China
 LINAK (Shenzhen) Actuator Systems, Ltd.
 Phone: +86 755 8610 6656
 Phone: +86 755 8610 6990
 Web: www.linak.cn

Slovakia
 LINAK Slovakia s.r.o.
 Phone: +421 51 7563 444
 Web: www.linak.sk

Thailand
 LINAK APAC Ltd.
 Phone: +66 33 265 400
 Web: www.linak.com

USA
 LINAK U.S. Inc.
 Americas Headquarters
 Phone: +1 502 253 5595
 Fax: +1 502 253 5596
 Web: www.linak-us.com
 www.linak-latinamerica.com

SUBSIDIARIES

Australia
 LINAK Australia Pty. Ltd
 Phone: +61 3 8796 9777
 Fax: +61 3 8796 9778
 E-mail: sales@linak.com.au
 Web: www.linak.com.au

Austria
 LINAK Zweigniederlassung - Österreich (Wien)
 Phone: +43 (1) 890 7446
 Fax: +43 (1) 890 744615
 E-mail: info@linak.de
 Web: www.linak.at - www.linak.hu

Belgium
 LINAK Actuator-Systems NV/SA
 (Belgium & Luxembourg)
 Phone: +32 (0)9 230 01 09
 E-mail: beinfo@linak.be
 Web: www.linak.be - www.fr.linak.be

Brazil
 LINAK Do Brasil Comércio De Atuadores Ltda.
 Phone: +55 (11) 2832 7070
 Fax: +55 (11) 2832 7060
 E-mail: info@linak.com.br
 Web: www.linak.com.br

Canada
 LINAK Canada Inc.
 Phone: +1 502 253 5595
 Fax: +1 416 255 7720
 E-mail: info@linak.ca
 Web: www.linak-us.com

Czech Republic
 LINAK C&S s.r.o.
 Phone: +42 058 174 1814
 Fax: +42 058 170 2452
 E-mail: info@linak.cz
 Web: www.linak.cz - www.linak.sk

Denmark - International
 LINAK International
 Phone: +45 73 15 15 15
 E-mail: info@linak.com
 Web: www.linak.com

Denmark - Sales
 LINAK Danmark A/S
 Phone: +45 86 80 36 11
 Fax: +45 86 82 90 51
 E-mail: linak@linak-silkeborg.dk
 Web: www.linak.dk

Finland
 LINAK OY
 Phone: +358 10 841 8700
 E-mail: linak@linak.fi
 Web: www.linak.fi

France
 LINAK France E.U.R.L.
 Phone: +33 (0) 2 41 36 34 34
 Fax: +33 (0) 2 41 36 35 00
 E-mail: linak@linak.fr
 Web: www.linak.fr

Germany
 LINAK GmbH
 Phone: +49 6043 9655 0
 Fax: +49 6043 9655 60
 E-mail: info@linak.de
 Web: www.linak.de

India
 LINAK A/S India Liaison Office
 Phone: +91 120 4531797
 Fax: +91 120 4786428
 E-mail: info@linak.in
 Web: www.linak.in

Ireland
 LINAK UK Limited (Ireland)
 Phone: +44 (0)121 544 2211
 Fax: +44 (0)121 544 2552
 +44 (0)796 855 1606 (UK Mobile)
 +35 387 634 6554 (Rep.of Ireland Mobile)
 E-mail: sales@linak.co.uk
 Web: www.linak.co.uk

Italy
 LINAK ITALIA S.r.l.
 Phone: +39 02 48 46 33 66
 Fax: +39 02 48 46 82 52
 E-mail: info@linak.it
 Web: www.linak.it

Japan
 LINAK K.K.
 Phone: 81-45-533-0802
 Fax: 81-45-533-0803
 E-mail: linak@linak.jp
 Web: www.linak.jp

Malaysia
 LINAK Actuators Sdn. Bhd.
 Phone: +60 4 210 6500
 Fax: +60 4 226 8901
 E-mail: info@linak-asia.com
 Web: www.linak.my

Netherlands
 LINAK Actuator-Systems B.V.
 Phone: +31 76 5 42 44 40 /
 +31 76 200 11 10
 E-mail: info@linak.nl
 Web: www.linak.nl

New Zealand
 LINAK New Zealand Ltd
 Phone: +64 9580 2071
 Fax: +64 9580 2072
 E-mail: nzsales@linak.com.au
 Web: www.linak.com.au

Norway
 LINAK Norge AS
 Phone: +47 32 82 90 90
 E-mail: info@linak.no
 Web: www.linak.no

Poland
 LINAK Polska
 LINAK Danmark A/S (Spółka Akcyjna)
 Phone: +48 22 295 09 70 /
 +48 22 295 09 71
 E-mail: info@linak.pl
 Web: www.linak.pl

Republic of Korea
 LINAK Korea Ltd.
 Phone: +82 2 6231 1515
 Fax: +82 2 6231 1516
 E-mail: info@linak.kr
 Web: www.linak.kr

Slovakia
 LINAK Slovakia S.R.O.
 Phone: +421 51 7563 444
 Web: www.linak.sk

Spain
 LINAK Actuadores, S.L.u
 Phone: +34 93 588 27 77
 Fax: +34 93 588 27 85
 E-mail: esma@linak.es
 Web: www.linak.es

Sweden
 LINAK Scandinavia AB
 Phone: +46 8 732 20 00
 Fax: +46 8 732 20 50
 E-mail: info@linak.se
 Web: www.linak.se

Switzerland
 LINAK AG
 Phone: +41 43 388 31 88
 Fax: +41 43 388 31 87
 E-mail: info@linak.ch
 Web: www.linak.ch - www.fr.linak.ch
 www.it.linak.ch

Taiwan
 LINAK (Shenzhen) Actuator systems Ltd.
 Taiwan Representative office
 Phone: +886 2 272 90068
 Fax: +886 2 272 90096
 E-mail: sales@linak.com.tw
 Web: www.linak.com.tw

Turkey
 LINAK İth. İhr. San. ve Tic. A.Ş.
 Phone: +90 312 4726338
 Fax: +90 312 4726635
 E-mail: info@linak.com.tr
 Web: www.linak.com.tr

United Kingdom
 LINAK UK Limited
 Phone: +44 (0)121 544 2211
 Fax: +44 (0)121 544 2552
 E-mail: sales@linak.co.uk
 Web: www.linak.co.uk

DISTRIBUTORS

Argentina
 Novotec Argentina SRL
 Phone: 011-4303-8989 / 8900
 Fax: 011-4032-0184
 E-mail: info@novotecargentina.com
 Web: www.novotecargentina.com

Colombia
 MEM Ltda
 Phone: +[57] (1) 334-7666
 Fax: +[57] (1) 282-1684
 E-mail: servicioalcliente@memlda.com.co
 Web: www.mem.net.co

India
 Mechatronics Control Equipments India Pvt Ltd
 Phone: +91-44-28558484, 85
 E-mail: bala@mechatronicscontrol.com
 Web: www.mechatronicscontrol.com

Indonesia
 PT. Himalaya Everest Jaya
 Phone: +6 221 544 8956 /+6 221 544 8965
 Fax: +6 221 619 1925
 Fax (Sales): +6 221 619 4658
 E-mail: hejplastic-div@centrin.net.id
 Web: www.hej.co.id

Israel
 NetivTech LTD
 Phone: +972 55-2266-535
 Fax: +972 2-9900-560
 Email: info@NetivTech.com
 Web: www.netivtech.com

Singapore
 Servo Dynamics Pte Ltd
 Phone: +65 6844 0288
 Fax: +65 6844 0070
 E-mail: servodynamics@servo.com.sg

South Africa
 Industrial Specialised Applications CC
 Phone: +27 011 466 0346
 E-mail: gartht@isagroup.co.za
 Web: www.isaza.co.za

United Arab Emirates
 Mechatronics
 Phone: +971 4 267 4311
 Fax: +971 4 267 4312
 E-mail: mechtron@emirates.net.ae

Terms of use

LINAK® takes great care in providing accurate and up-to-date information on its products. However, the user is responsible for determining the suitability of LINAK products for a specific application. Due to continual development, LINAK products are subject to frequent modifications and changes. LINAK reserves the rights to conduct modifications, updates, and changes without any prior notice. For the same reason, LINAK cannot guarantee the correctness and actual status of imprinted information on its products.

LINAK uses its best efforts to fulfil orders. However, for the reasons mentioned above, LINAK cannot guarantee availability of any particular product at any given time. LINAK reserves the right to discontinue the sale of any product displayed on its website or listed in its catalogues or in other written material created and produced by LINAK, LINAK subsidiaries, or LINAK affiliates. All sales are subject to the 'Standard Terms of Sale and Delivery for LINAK A/S' available on LINAK websites. LINAK and the LINAK logotype are registered trademarks of LINAK A/S. All rights reserved.



WE IMPROVE YOUR LIFE