



DESKLIFT™ DL18  
Data sheet

# DESKLIFT™ DL18

---

The DESKLIFT™ DL18 is a compact 2-part lifting column with square profiles and a motor housing. It comes with invisible gliding pads for a clean design and is a perfect choice for a wide range of different desk applications, especially in the office area. The DL18 lifting column has the same outer dimensions and mounting holes as the 3-part DL19 column. Thus, they can be used in the same tabletop and table foot construction. For bench desks, the column is available with a bench bracket. The DL18 column is very sturdy, and the compact motor housing makes the column easy to integrate in various desk designs.

The DL18 column is available in three standard colours (black, grey and white) - and can optionally be delivered in other colours.

The DL18 lifting columns are controlled by a DESKLINE® control box (CBD), which ensures optimal parallel drive and a pleasantly low noise level. Depending on the control box, the DL18 columns can be used as a single column or with 2, 3 or 4 columns in parallel systems, or up to 16 columns in multiparallel systems. A variety of desk panels can be used for adjusting the desk.



---

## Features:

- 2-part motor housing column
- PLUS™: Invisible gliding pads and a smooth outer profile with no punch marks
- Plug mounted on the DL18 for connection to the CBD with a DESKLINE® motor cable
- Max. load 800 N per column
- Max. speed 38 mm/s unloaded
- Installation dimension 645 mm
- Stroke length 500 mm
- Weight: Approximately 6.5 kg per column
- Dimensions column: 70 x 70 mm (outer profile) and 63.6 x 63.6 mm (inner profile)
- Dimension motor housing: 177 x 97 x 46 mm
- Bending moment:  $M_y = \max. 150 \text{ Nm}$  dynamic
- Colour: Available in black (RAL 9005), grey (RAL 9006) or white (RAL 9016)
- Low noise level

## Options:

- Available with bench bracket
- Mounting bracket for a crossbar in a parallel system (40 x 120 mm)

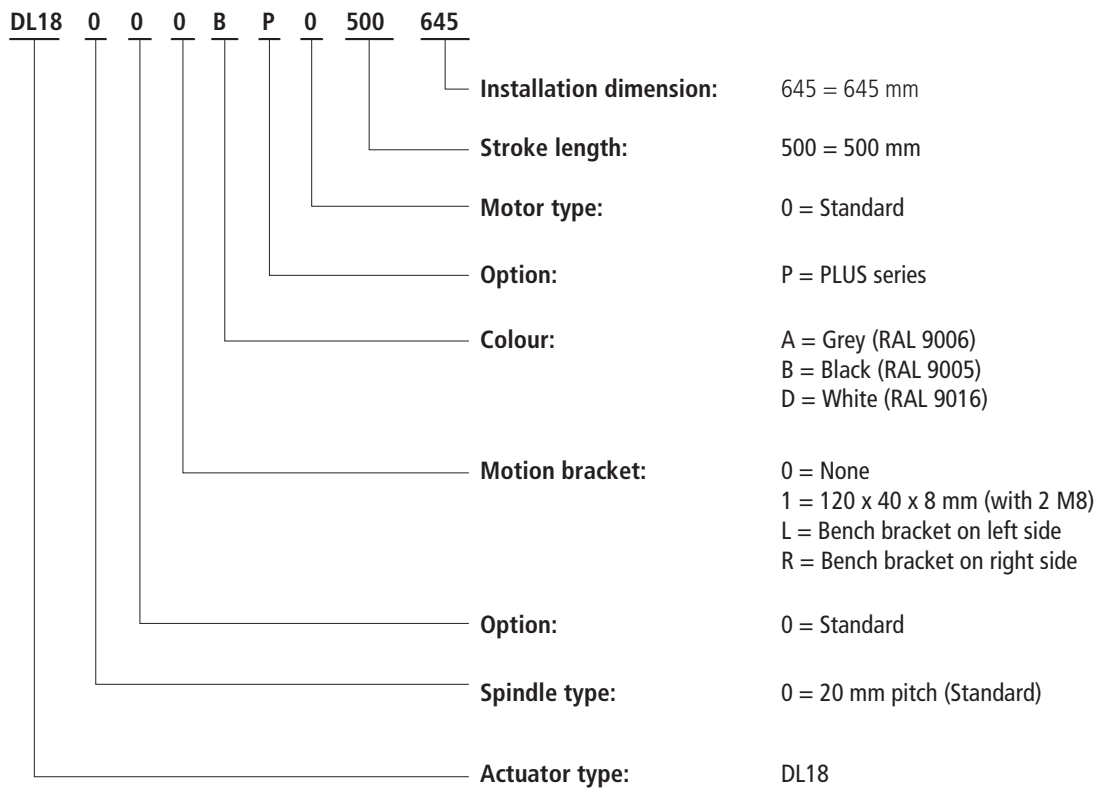
## Usage:

- Single or 2, 3 or 4 parallel drive or even multi-parallel with up to 16 columns
- Duty cycle: 10 %  $\approx$  2 minutes continuous use at full load, followed by 18 minutes pause
- Ambient temperature: 10 to 40 °C
- Storage and transportation temperature: -10 to +70 °C
- Compatible with DESKLINE® control boxes and all DESKLINE® controls
- Compatible with the Kick & Click™ mounting solution
- Compatible with DESKLIFT™ Feet
- System compliance, see the Declaration of Conformity in the User Manual

With a fully retracted length of 645 mm and a stroke length of 500 mm, it is possible for a standard system to obtain an adjustment range of the tabletop from e.g. 680 to 1180 mm. Thus, the desk can be used for sitting as well as for standing types of work.

## DL18

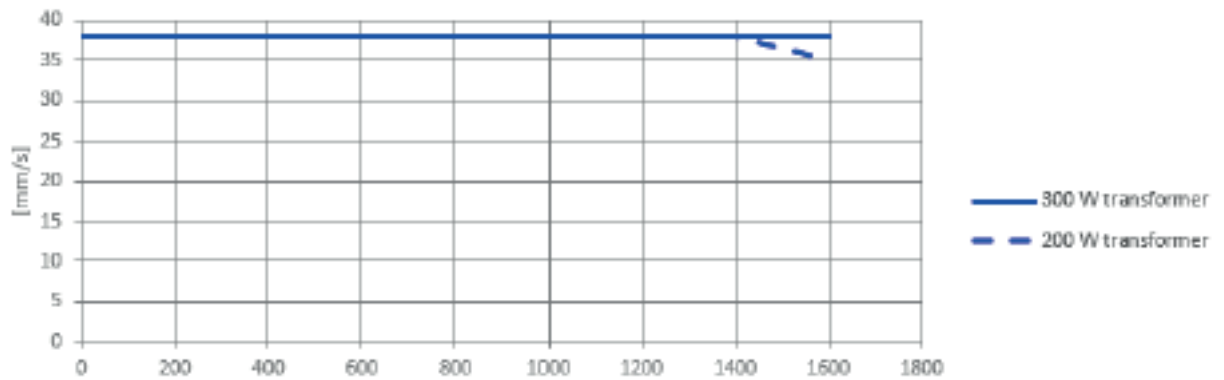
### Ordering example:



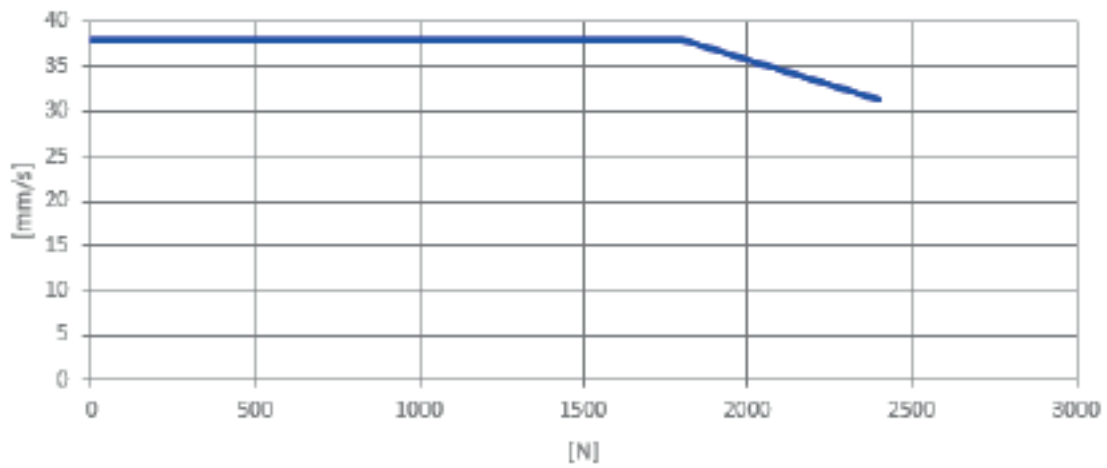
All cables for creating a fully connected DESKLINE system must be ordered separately. We offer a range of different versions and lengths. For more information as ordering number, colour and length of the cables - please contact your local LINAK.

Performance curves  
DL18 800 N (20 mm spindle) with CBD6S

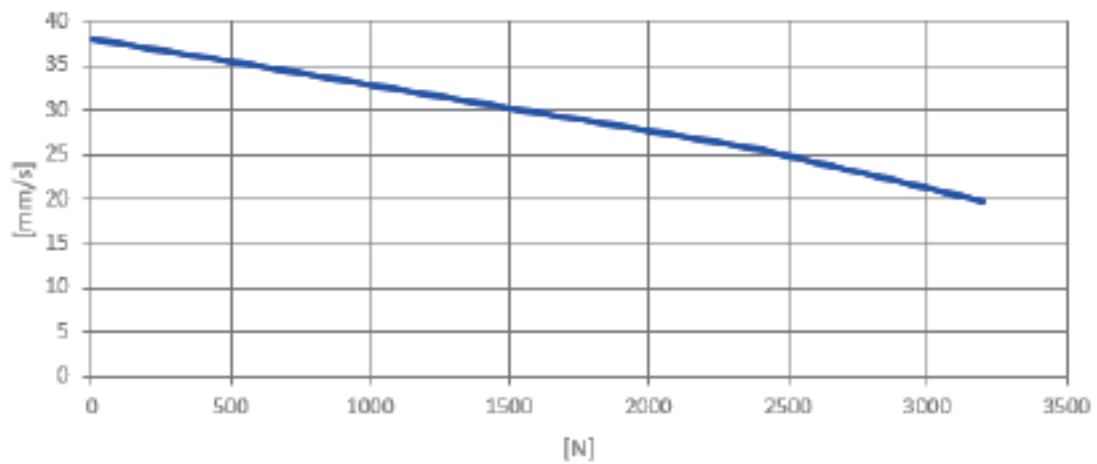
Two DL5/8/10/15/18 (equally loaded) with CBD6S



Three DL5/8/10/15/18 (equally loaded) with CBD6S



Four 5/8/10/15/18 (equally loaded) with CBD6S

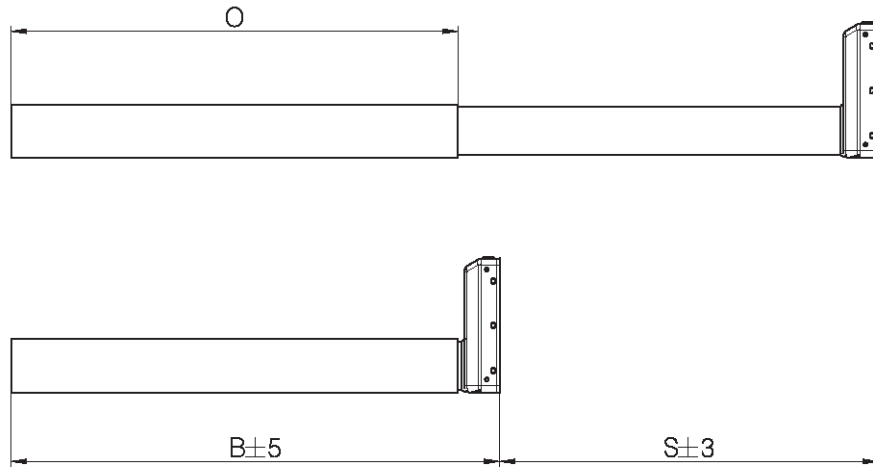


The data above are measured in connection with 2 to 4 DL18 lifting columns and control box CBD6S. The desk is driving upwards.



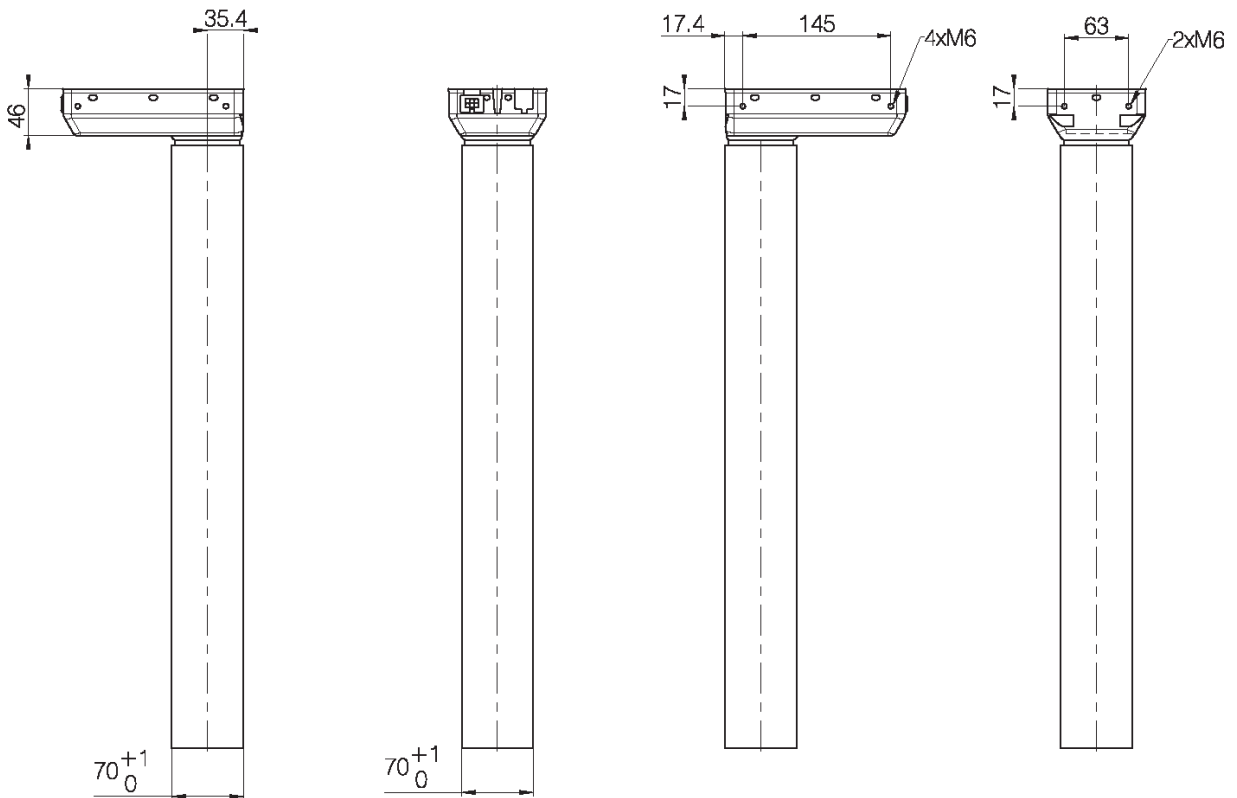
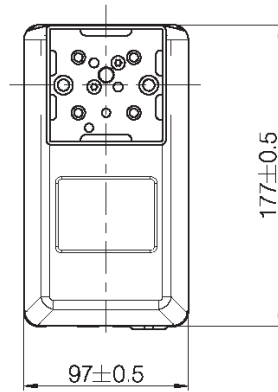
The curves above apply to a centrally placed load. With moment load, there will be increased friction in the columns, which will reduce the lifting force correspondingly.

Dimensional drawings

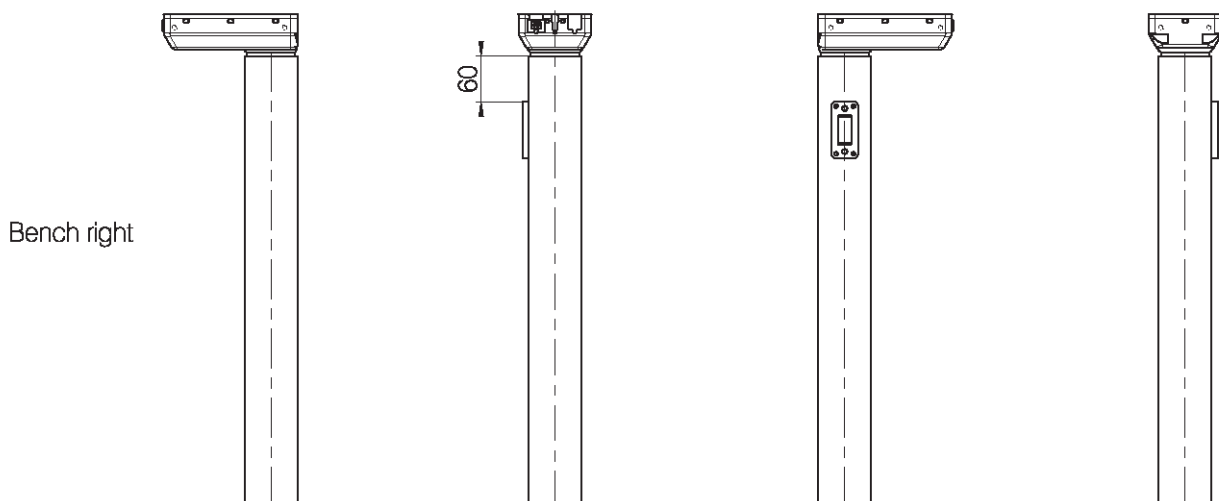
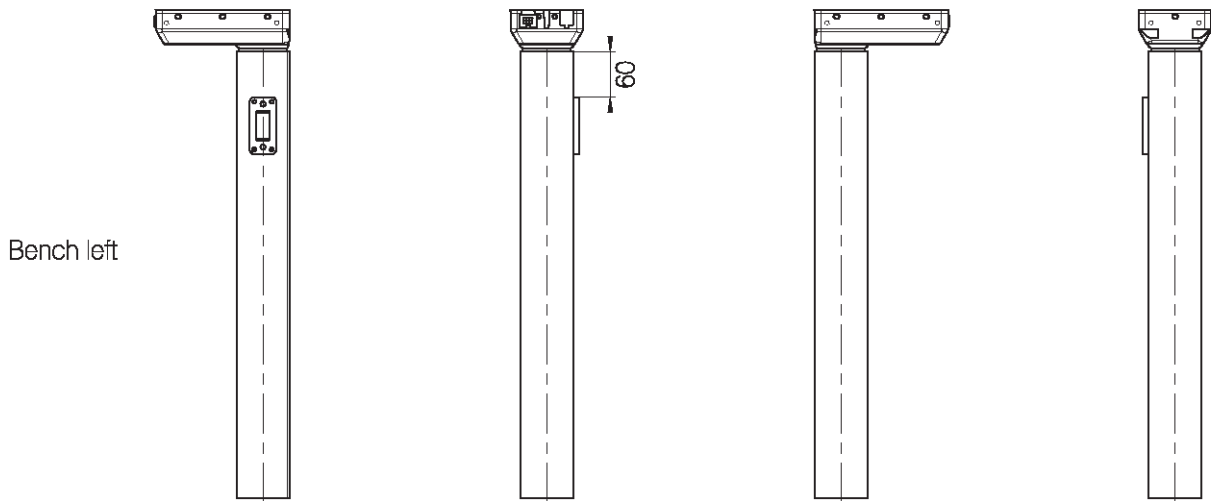
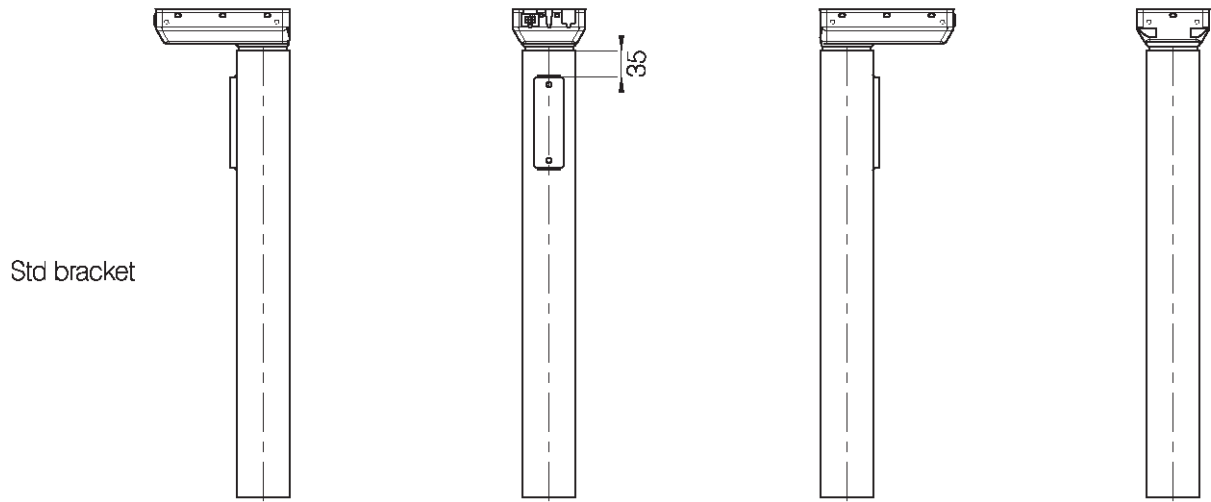


Version	Combination code	B (Built-in length) [mm]	S (Stroke length) [mm]	O (Outer profile length) [mm]
EU	DL18xxxxx500645	645	500	590

DL18 built-in length, stroke length, and outer profile length (mm)

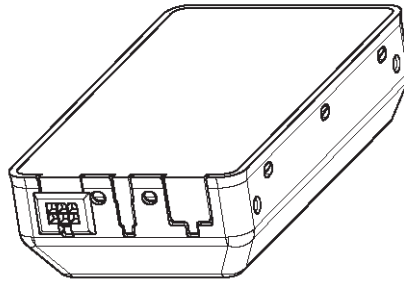


DL18 motor housing and profile dimensions (mm)



Combination code	Std bracket	Bench left	Bench right
DL18xx1xxxxxxxxx	X		
DL18xxLxxxxxxxxx		X	
DL18xxRxxxxxxxxx			X

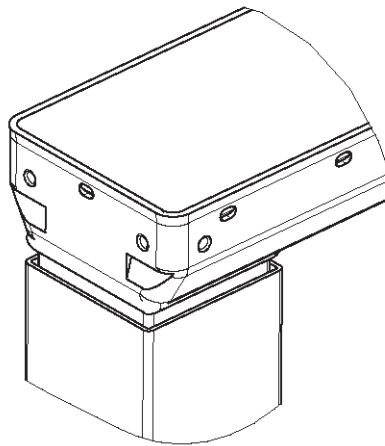
Bracket options (dimensions in mm)



*Standard*

Combination code	Type
DL18xxxxx0xxxxxx	Standard

*Socket combination*



*PLUS™*

*Profile designs*

LINAK® accepts no responsibility for possible errors or inaccuracies in catalogues, brochures, and other material. LINAK reserves the right to change its products without prior notice. LINAK cannot guarantee product availability and reserves the right to discontinue the sale of any product. The user is responsible for determining the suitability of LINAK products for a specific application. All sales are subject to the 'Standard Terms of Sale and Delivery', available on LINAK websites.

LINAK and the LINAK logotype are registered trademarks of LINAK A/S. All rights reserved.