



DESKLIFT™ DL17  
Data sheet

# DESKLIFT™ DL17

---

The DL17 column sets the standards for inline columns. The compact square shaped column was developed to fulfil the market requirements for a low built-in dimension and at the same time a long stroke length. From a design perspective, the DL17 lifts a contemporary desk design with its very small steps between the profiles and invisible gliding pads. The column was designed for desks without crossbar ensuring more leg space and more design possibilities. As standard, the DL17 features PIEZO™ – an integrated sensor minimising the risk for damages on a desk caused by squeezing or blocking of obstacles in up or down direction. The DL17 is developed without PVC, which is an environmental advantage. The column comes standard with black, silver-grey or white profiles or simply in a customised colour (optional).

The DL17 is compatible with all DESKLINE® control boxes and controls – simply just Plug & Play™.



---

## Features:

- 3-part inline column
- Square profiles, outer profile 70 x 70 mm
- Thrust: up to 700 N per column
- Speed level: up to 38 mm/s
- Standard installation dimension: 518 mm or 545 mm
- Standard stroke length: 660 mm
- Weight: 8.0 kg per column (DL17000B0E660545)
- Colour: all parts black (RAL 9005), all parts grey (RAL 9006) or all parts white (RAL 9016)
- Invisible gliding pads for optimised design
- Minimum spacing between the profiles for optimised design
- PIEZO™ minimising the risk for material damages on/around the desk
- PVC-Free™ column for a more environmentally friendly product
- Synchronous drive of the middle profile
- Separate motor cable
- Bending moment:  $M_y = \max. 150 \text{ Nm}$  dynamic
- Low pleasant noise level
- Bench bracket for bench solutions

## Options:

- Customised colours
- Bracket for crossbar (customised version)
- Motor housing adapter mounted or as a separate unit. Always black

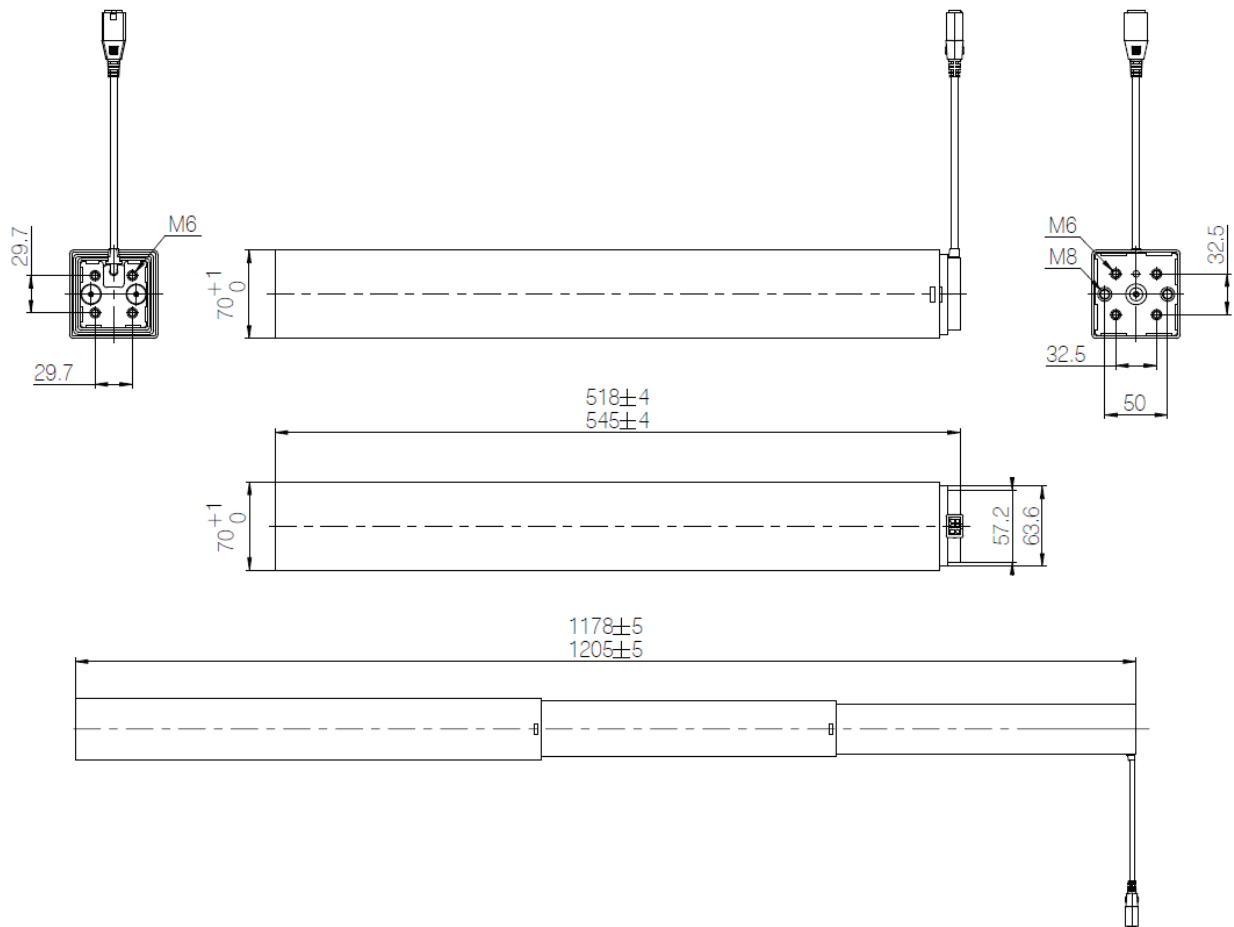
## Usage:

- Single or 2, 3, 4 parallel drive
- Duty cycle: 10 % ~ 6 min. per hour or 2 min. at continuous use at full load
- Ambient temperature: +10° to +40 °C
- Compatible with DESKLINE® control boxes and DESKLINE® controls
- Approved in accordance with EN 60335-1
- Approved in accordance with UL962 with CBD6S
- Storage and transport temperature: -10 °C to +70 °C
- Compatible with DESKLIFT™ Feet

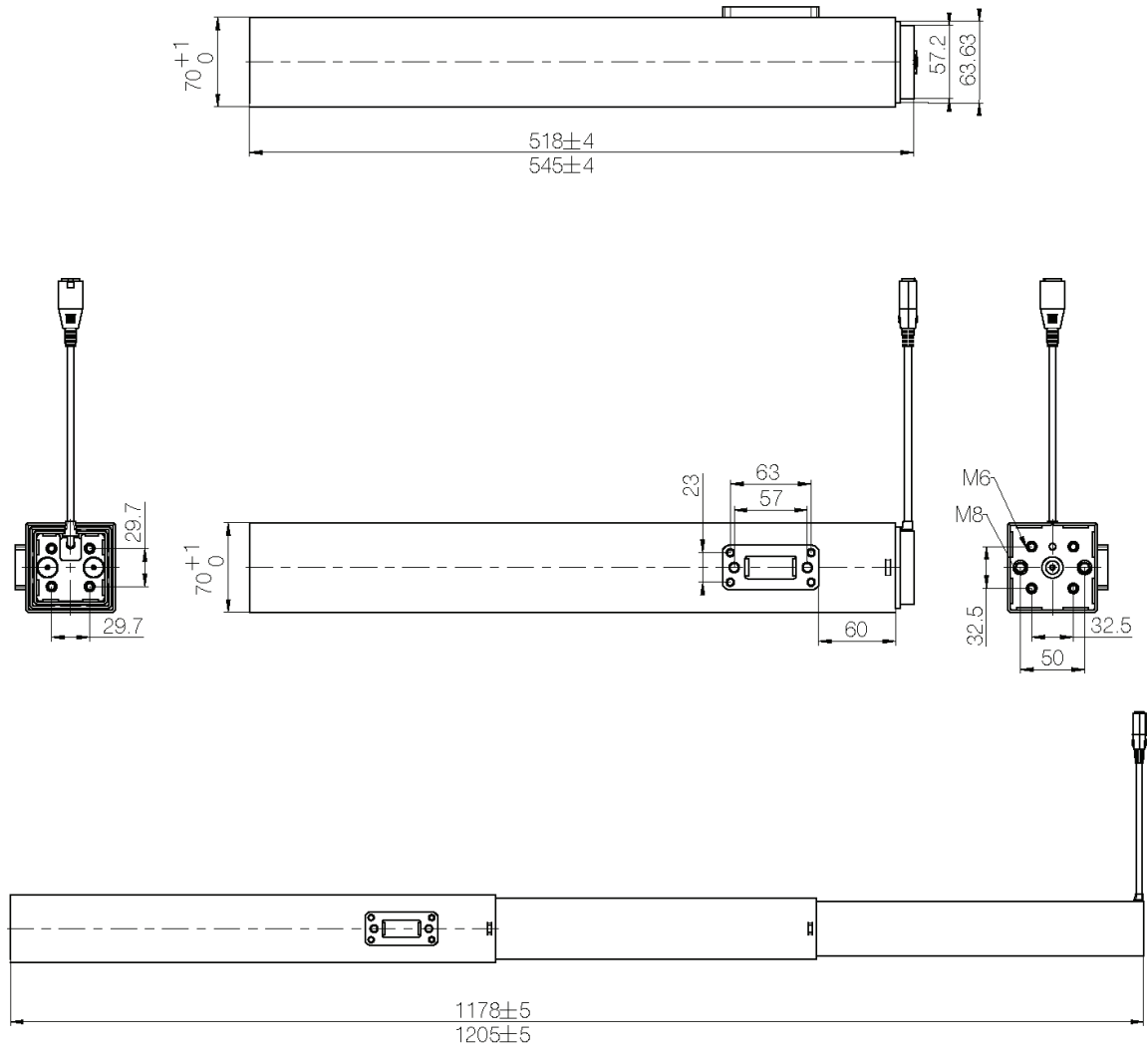
Technical specifications:

Type/ Application	Max. Thrust pr. DL (N)	Self locking pr. DL (N)	Speed at 0 load [mm/s]	Duty cycle [%]	Spindle pitch [mm]	Stroke length [mm]	Built-in length [mm]
DL17	700	700	38	10	20	660	518/545

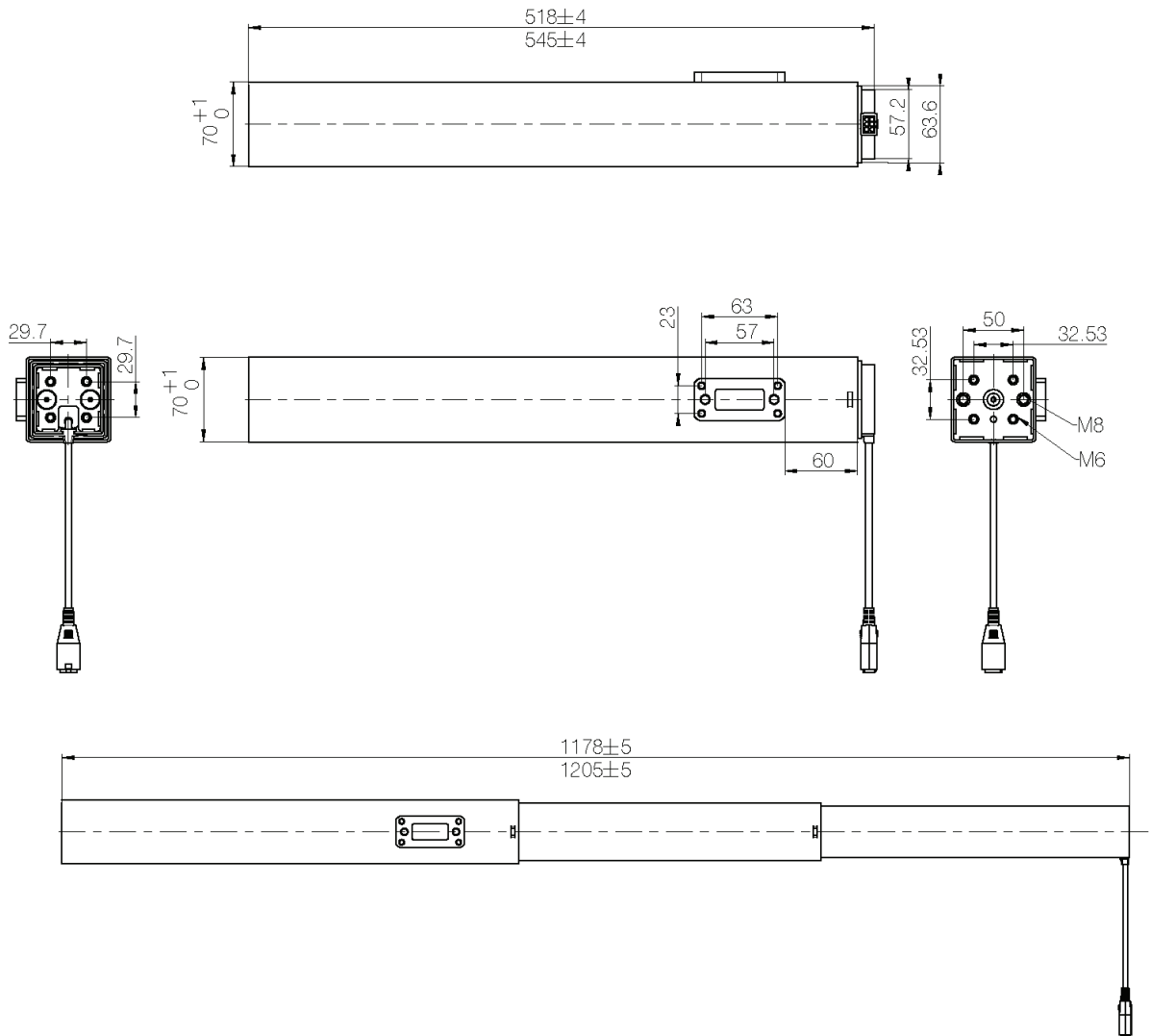
Dimensions, DL17 without bracket



Dimensions, DL17 with bench bracket  
Left column

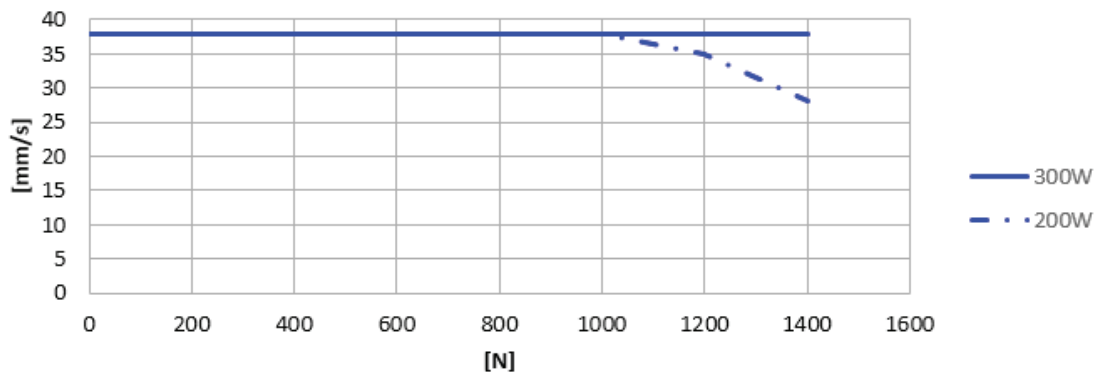


Dimensions, DL17 with bench bracket  
Right column

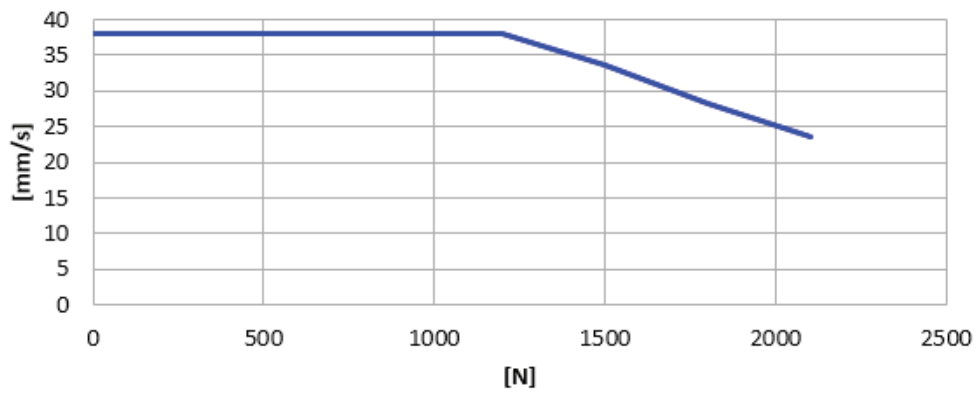


### Speed-load measurement

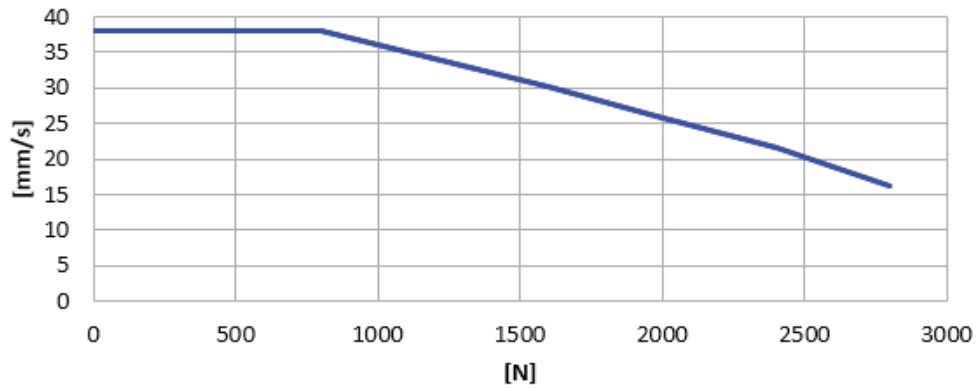
2 x DL17 (equally loaded) with CBD6S



3 x DL17 (equally loaded) with CBD6S (300W)



4 x DL17 (equally loaded) with CBD6S (300W)



## DL17

### Ordering example:

DL17	0	0	0	B	0	E	660	518	
									<b>Installation dimension:</b>
									518 = 518 mm
									545 = 545 mm
									<b>Stroke length:</b>
									660 = 660 mm
									<b>Motor type:</b>
									E = Piezo & IID
									<b>Option:</b>
									0 = Standard
									M = Motorhouse Adapter mounted*
									<b>Colour:</b>
									A = Grey RAL 9006
									B = Black RAL 9005
									D = White RAL 9016
									<b>Option:</b>
									0 = Standard
									L = Bench bracket on left narrow side
									R = Bench bracket on right narrow side
									<b>Cable:</b>
									0 = 200 mm
									<b>Spindle type:</b>
									0 = 2 x 10 mm pitch
									<b>Actuator type:</b>
									DL17



All cables for creating a fully connected DESKLINE system must be ordered separately. We offer a range of different versions and lengths. For more information as ordering number, colour and length of the cables - please contact your local LINAK.

### Separate motor housing:

The motor housing adapter can also be ordered as a separate part. Article number: HOUSINGDL17-001. The housing will always be black. Please observe that if the motor housing adapter is chosen it increases the installation dimension with 42mm.

---

**Terms of use**

The user is responsible for determining the suitability of LINAK products for specific application. LINAK takes great care in providing accurate and up-to-date information on its products.

However, due to continuous development in order to improve its products, LINAK products are subject to frequent modifications and changes without prior notice. Therefore, LINAK cannot guarantee the correct and actual status of said information on its products.

While LINAK uses its best efforts to fulfill orders, LINAK cannot, for the same reasons as mentioned above, guarantee the availability of any particular product. Therefore, LINAK reserves the right to discontinue the sale of any product displayed on its website or listed in its catalogues or other written material drawn up by LINAK.

All sales are subject to the Standard Terms of Sale and Delivery for LINAK. For a copy hereof, please contact LINAK.