



DESKLIFT™ DL14
Data sheet

DESKLIFT™ DL14

The DESKLINE® column DL14 sets the standards for inline columns. The compact round-shaped column fulfils the market requirements for a low built-in dimension and at the same time a long stroke length.

The DL14 is designed for desks without a crossbar ensuring more leg space and more design options, and it is available as a PLUS™ variant with no punch holes and no visible gliding pads.

As standard, the DL14 features PIEZO™, an integrated sensor minimising the risk of damage to a desk caused by collision with an obstacle in upward or downward direction.

The column comes standard in black, grey, or white, and the PLUS™ variant can optionally be delivered with trim rings in black, grey, or white for optimised appearance.

The DL14 system is controlled by the DESKLINE® control box (CBD). The control box ensures optimal parallel drive and a pleasantly low noise level. The DL14 can be used as a single column or with 2, 3 or 4 columns in parallel systems, or up to 16 columns in multi-parallel systems. A Desk Sensor™ 1 anticollision dongle can be plugged into the control box to limit material damage to a desk or an object in case a collision occurs during driving of the desk.



Features:

- Max. load: 700 N per column
- Max. speed: 38 mm/s unloaded
- Standard installation dimension: 525 mm, 518 mm (PLUS™), or 545 mm (PLUS™)
- Standard stroke length: 660 mm
- Column dimensions: Ø 70 (outer profile), Ø 63.5 (middle profile) and Ø 57 (inner profile).
- Bending moment: $M_y = \max. 150 \text{ Nm}$ dynamic
- Colour: Available in black (RAL 9005), grey (RAL 9006), or white (RAL 9016)
- Low noise level
- Synchronous drive of the middle profile
- The DL14 profiles are secured against rotation/twisting
- PIEZO™: Integrated sensor minimising the risk of damage to the desk by avoiding collision

Options:

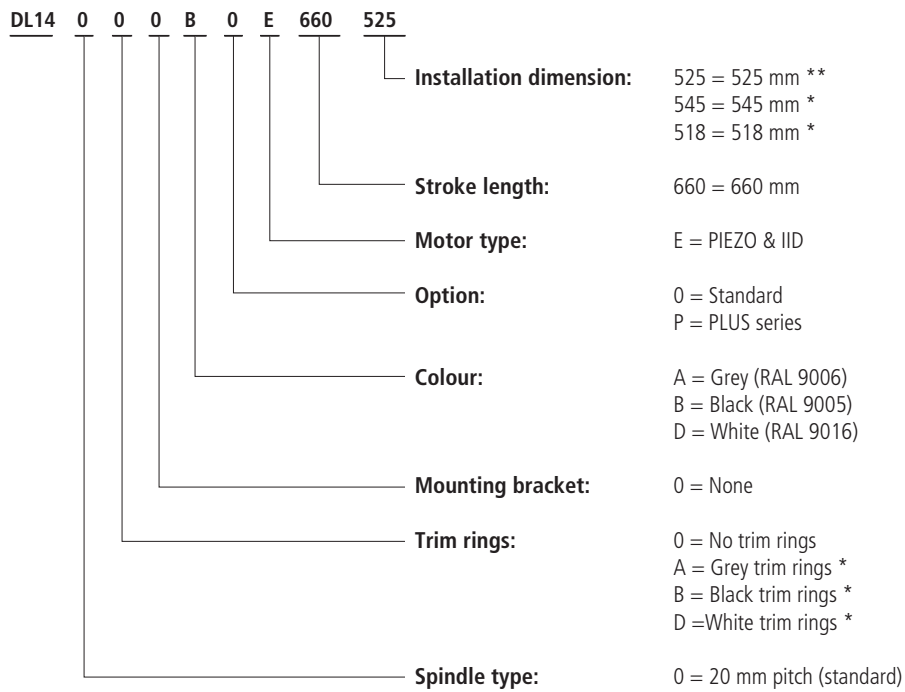
- Customised colours
- PLUS™: No visible gliding pads
- PLUS™ variant available with trim rings in black, grey, or white
- Bracket for crossbar (customised version)

Usage:

- Single or 2, 3, 4 parallel drive
- Duty cycle: 10 % ~ 1 minute continuous use at full load, followed by 9 minutes pause
- Ambient temperature: 10 to 40 °C
- Storage and transport temperature: -10 to +70 °C
- Compatible with DESKLINE® control boxes and DESKLINE® controls
- Compatible with DESKLIFT™ Feet

DL14

Ordering example:



* Only available with PLUS variants

** Not available with PLUS variants

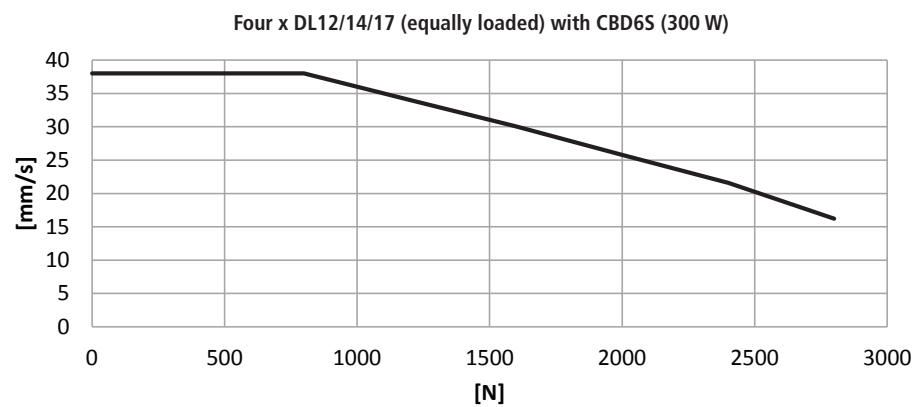
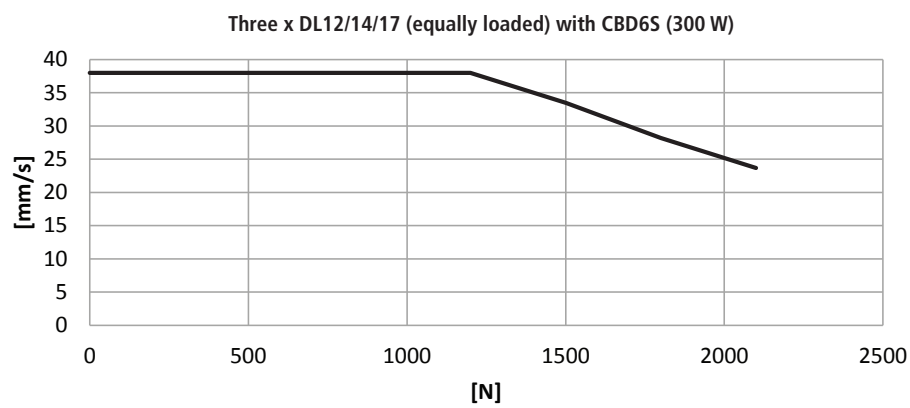
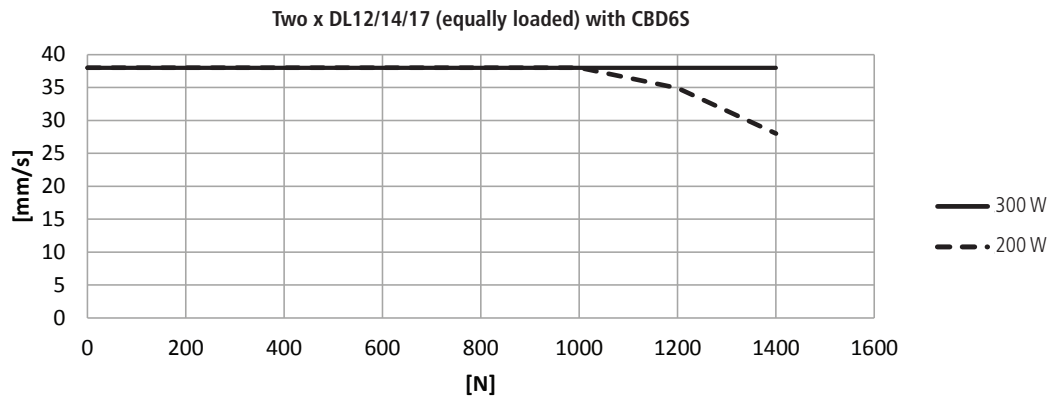


Motor cables must be ordered separately.



All cables for creating a fully connected DESKLINE® system must be ordered separately. We offer a range of different versions and lengths. For more information such as ordering number, colour and length of the cables, please contact your local LINAK.

Performance curves



The curves above applies to a centrally placed load. With moment load there will be an increased friction in the columns, which will reduce the lifting force correspondingly.

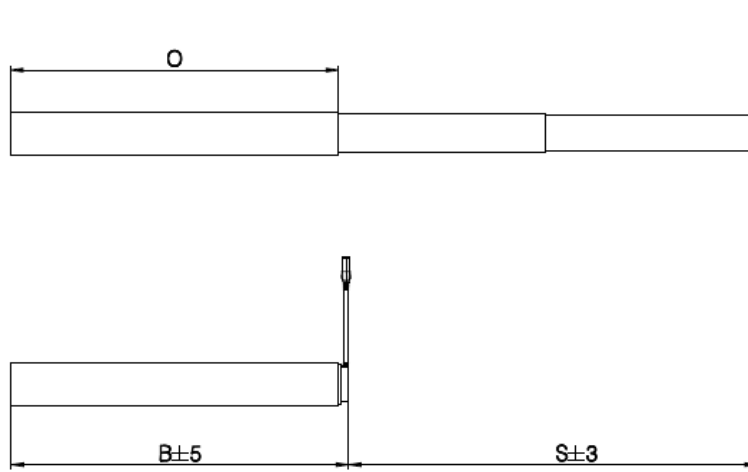


Be aware that the DESKLINE® system DL14 may only be used in push applications.

Dimensional drawings

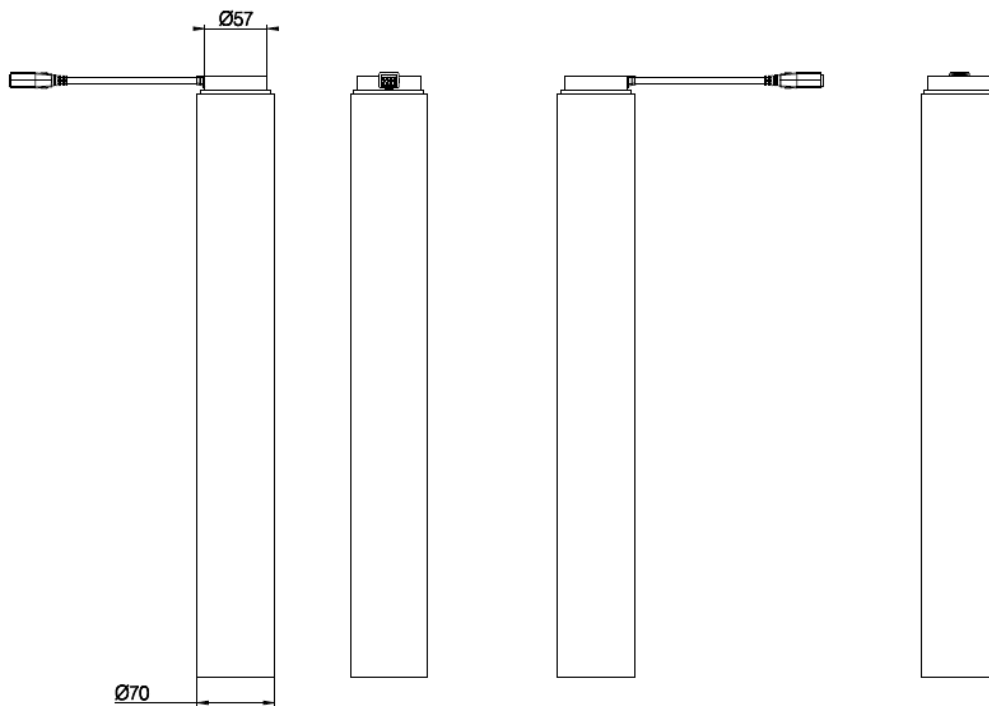


All measurements are without powder coating.

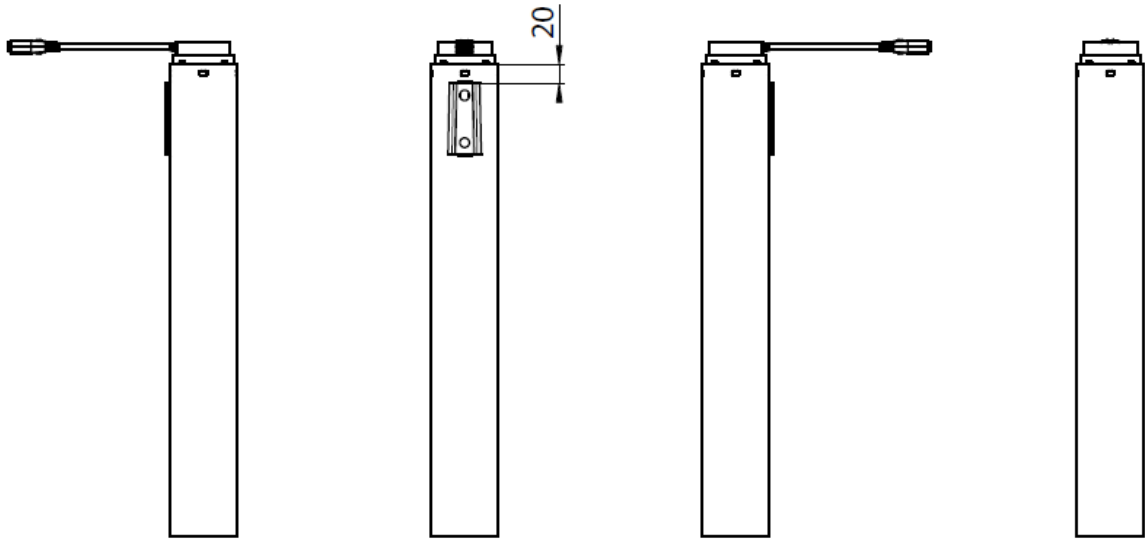


Version	Combination code	S (Stroke length) [mm]	B (Built-in length) [mm]	O (Outer profile length) [mm]
Standard columns				
EU	DL14xxxxxx660525	660	525	498
PLUS columns				
EU	DL14xxxxxx660545	660	545	529
BIFMA	DL14xxxxxx660518	660	518	502

DL14 stroke length, built-in length, and outer profile length (mm)

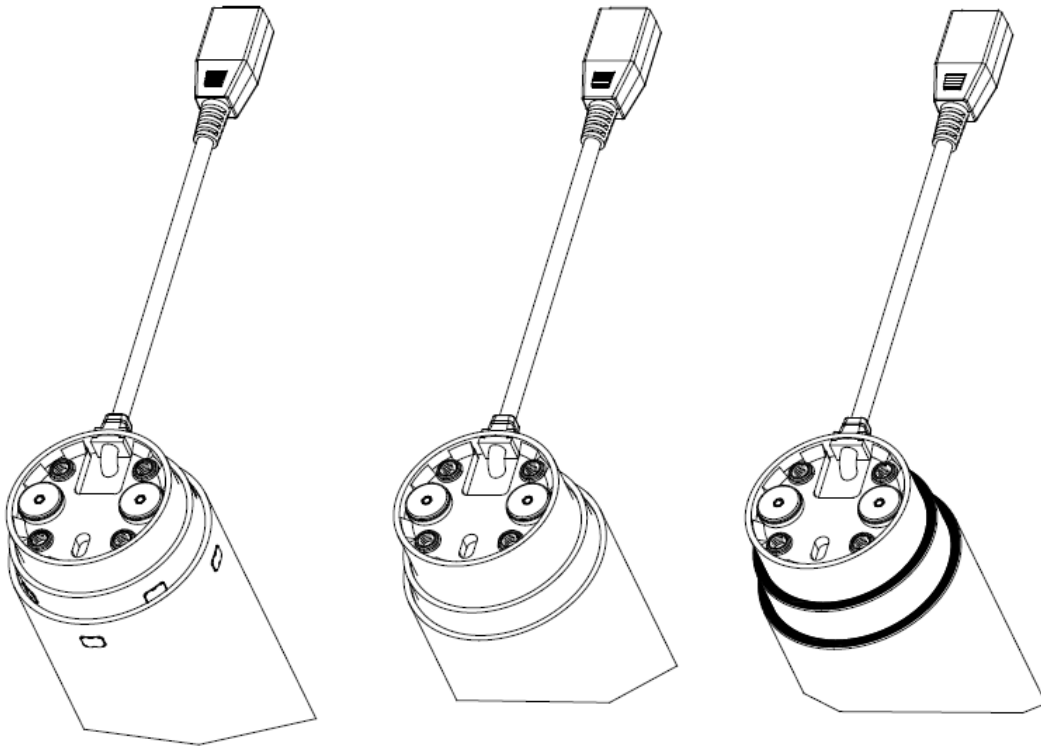


DL14 profile dimensions (mm)



Combination code	Std bracket
DL14xx1xxxxxxxxx	X

Bracket options (dimensions in mm)

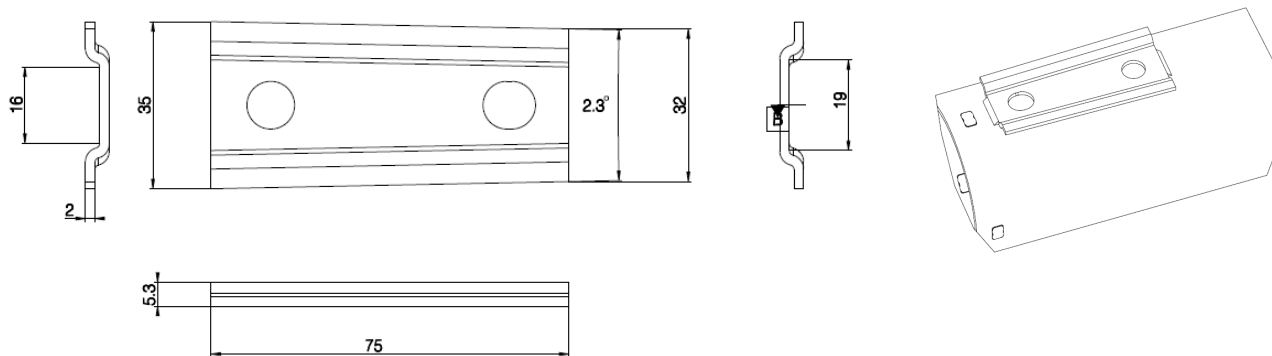


Standard

PLUS™ without trim ring

PLUS™ with trim ring

Profile designs



Standard bracket dimensions (mm)



The bracket is not available with PLUS™ columns.