



DESKLIFT™ DL12  
Data sheet

# DESKLIFT™ DL12

The DESKLINE® DL12 column sets the standards for inline columns. It is a compact 3-part inline column, which is a perfect choice for a wide range of desk applications. The DL12 is pleasing to the eye with invisible gliding pads and minimum spacing between the column profiles, which provides a streamlined silhouette. The compact, rectangular column was developed to fulfil the market requirements for a low built-in dimension and, at the same time, a long stroke length. Furthermore, the column is designed for desks without crossbar, ensuring more leg space and more design options.

As standard, the DL12 features PIEZO™, an integrated collision protection sensor. The PIEZO minimises the risk of damage to a desk caused by collision.

The DL12 system is controlled by a DESKLINE® control box (CBD). The control box ensures optimal parallel drive and a pleasantly low noise level. The DL12 can be used as a single column or in 2, 3 or 4 parallel systems. The DL12 is also available in an extended version called DL12XL; a column optimised for display and monitor stands.



## Features:

- Compact design where guide and actuator functions are an integrated unit
- Cable mounted on the DL12 for connection to the CBD with a separate DESKLINE motor cable
- Max. load: 700 N per column
- Max. speed: 38 mm/s unloaded
- Standard installation dimension: 518 mm or 545 mm
- Standard stroke length: 660 mm
- Column dimensions: 60 x 100 mm (outer profile), 54.8 x 94.8 mm (middle profile) and 49.6 x 89.6 mm (inner profile)
- Bending moment:  $M_y = \max. 150 \text{ Nm dynamic}$
- Colour: Available in black (RAL 9005), grey (RAL 9006), or white (RAL 9016)
- Low noise level
- PIEZO™: Integrated sensor minimising the risk of damage to a desk by avoiding collision
- PVC-Free™ column for an environmental-friendlier product
- Invisible gliding pads for optimised design
- Minimum spacing between the profiles for optimised design
- Synchronous drive of the middle profile

## Options:

- Customised colours
- Motor housing adapter (black) pre-mounted or as a separate unit

- Extended XL-version dedicated for flat screens
  - Installation dimension: 700 mm
  - Stroke length: 999 mm
  - Load: max 600 N
  - Bending moment: max 100 Nm dynamic
  - Colours: black (RAL9005), grey (RAL9006) and white (RAL9016)
  - Duty cycle: 5%

## Usage:

- Typical applications:
  - Office desks
  - TV lifts
- Single or 2, 3, 4 parallel drive
- Multi-parallel is possible only when in combination with CBD6S
- Duty cycle: 10% ~ 1 minute continuous use at full load, followed by 9 minutes pause
- Ambient temperature: 10 to 40 °C
- Storage and transport temperature: -10 to +50 °C
- Compatible with DESKLINE® control boxes and all DESKLINE® controls
- Complies with EN 60335-1
- Complies with UL 962 with CBD6S

## DL12

### Ordering example:

<b>DL12</b>	<b>0</b>	<b>0</b>	<b>0</b>	<b>B</b>	<b>0</b>	<b>E</b>	<b>660</b>	<b>518</b>	
									<b>Installation dimension:</b>
									518 = 518 mm
									545 = 545 mm
									700 = 700 mm (XL version)
									<b>Stroke length:</b>
									660 = 660 mm
									999 = 999 mm (XL version)
									<b>Motor type:</b>
									E = PIEZO & IID
									<b>Option:</b>
									0 = Standard
									M = Motorhouse Adapter mounted*
									<b>Colour:</b>
									A = Grey (RAL 9006)
									B = Black (RAL 9005)
									D = White (RAL 9016)
									<b>Option:</b>
									0 = Standard
									<b>Cable:</b>
									0 = 200 mm
									<b>Spindle type:</b>
									0 = 20 mm pitch (standard)

\* = Not available for XL version



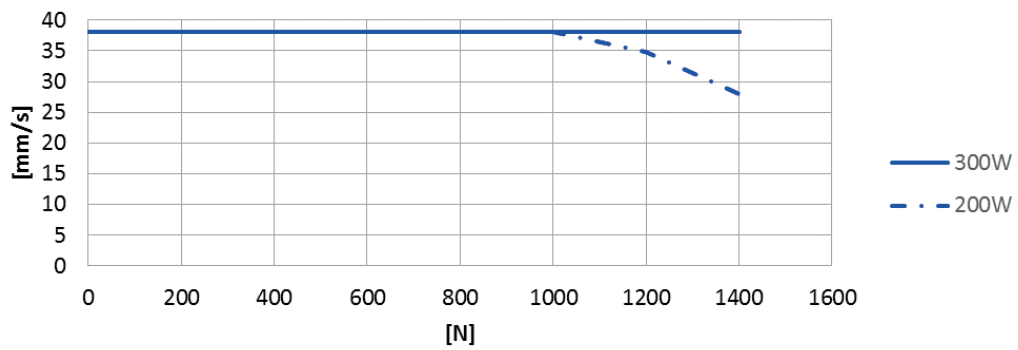
The motor housing adapter can also be ordered as a separate part, article number: HOUSINGDL12-001.  
The motor housing adapter is available in black only.  
When the motor housing adapter is mounted, it increases the installation dimension by 42 mm.



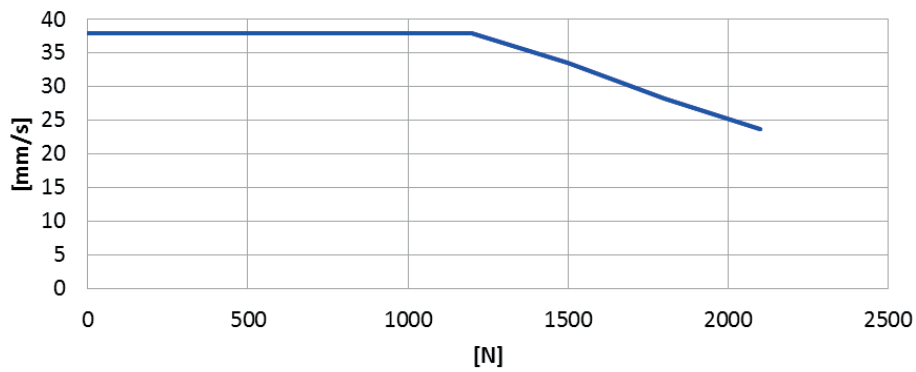
All cables for creating a fully connected DESKLINE system must be ordered separately. We offer a range of different versions and lengths.  
For more information such as ordering number, colour and length of the cables, please contact your local LINAK.

Curves DL12 700N (20 mm spindle) with CBD6S

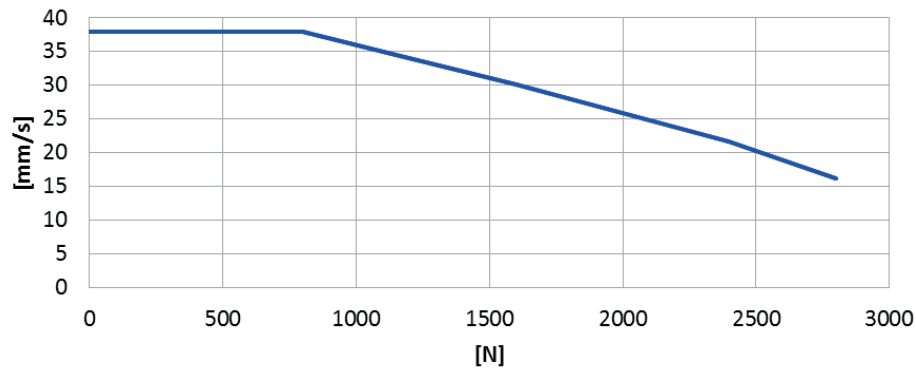
2 x DL12 (equally loaded) with CBD6S



3 x DL12 (equally loaded) with CBD6S (300W)



4 x DL12 (equally loaded) with CBD6S (300W)



The performance curves apply to a centrally placed load. With off-center placed load, there will be an increased friction in the columns reducing the lifting force correspondingly.



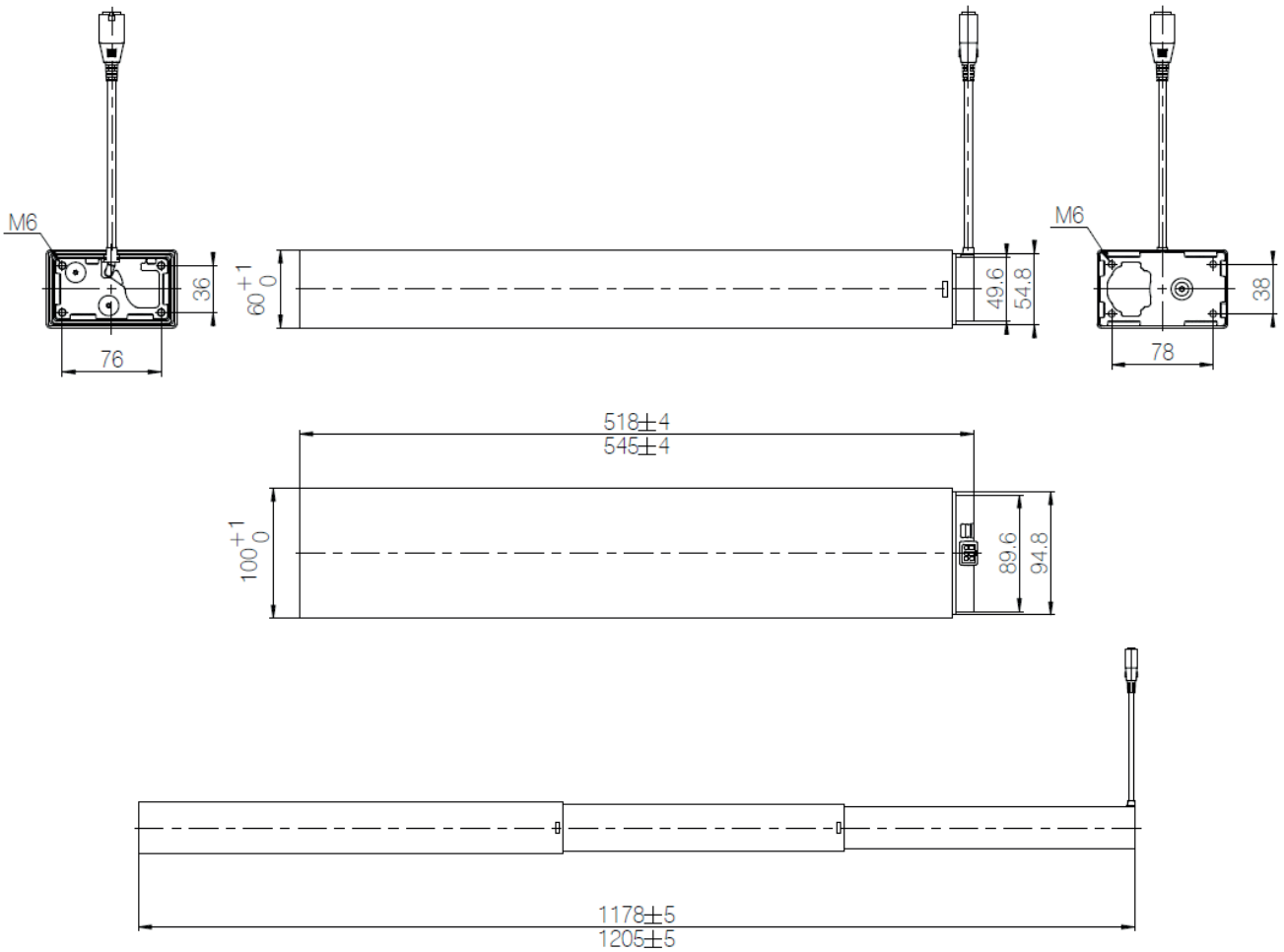
The DL12 DESKLINE system may only be used in push applications.

## Dimensions

DL12



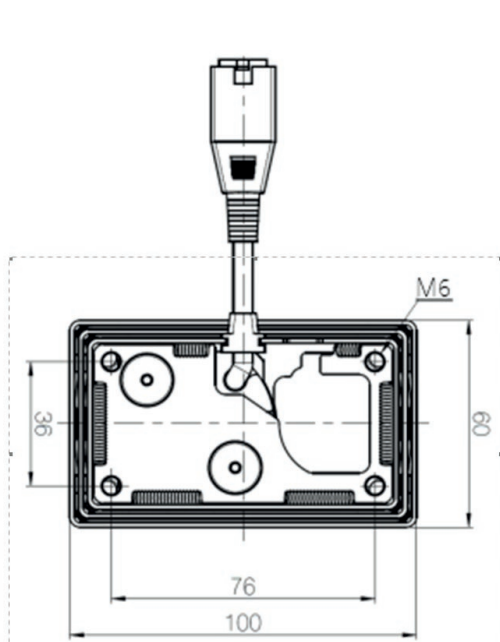
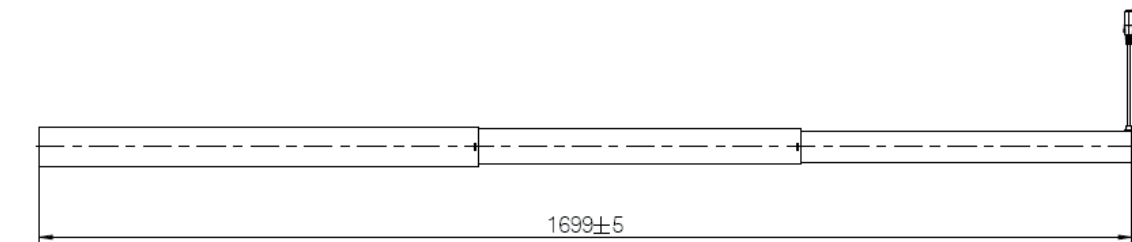
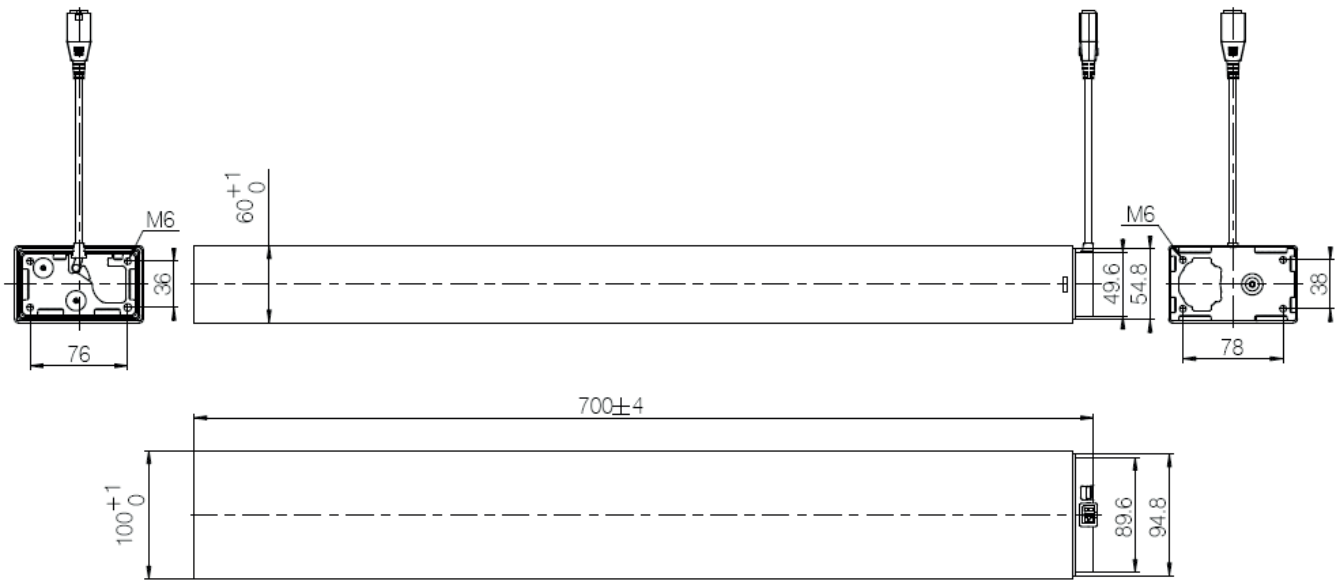
All measurements are without powder coating



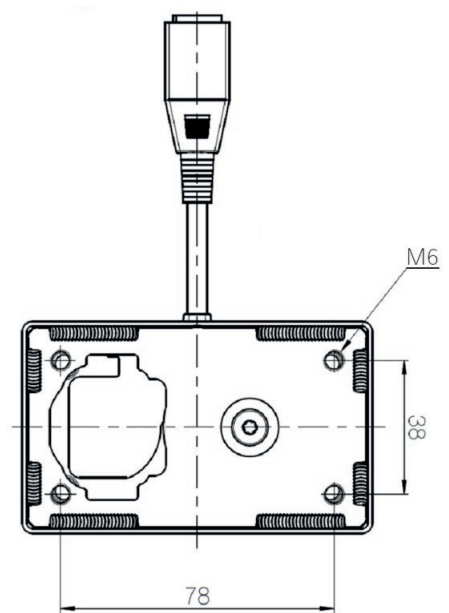
Minimum retracted length during initialisation with max. load is 513 mm.

## Dimensions

### DL12XL (extended version)



Column top dimensions (mm)



Bottom plate dimensions (mm)

## Dimensions

### DL12 with motor housing



LINAK® accepts no responsibility for possible errors or inaccuracies in catalogues, brochures, and other material. LINAK reserves the right to change its products without prior notice. LINAK cannot guarantee product availability and reserves the right to discontinue the sale of any product. The user is responsible for determining the suitability of LINAK products for a specific application. All sales are subject to the 'Standard Terms of Sale and Delivery', available on LINAK websites.

LINAK and the LINAK logotype are registered trademarks of LINAK A/S. All rights reserved.