

# DL11

## Data Sheet





The DESKLIFT™ DL11 is a compact round three-part lifting column perfect for a wide range of height-adjustable desk applications such as sit-stand office desks. With its short installation dimension and long stroke length the three-part DL11 is an optimal choice for a desk no matter the height of the person using it.

The DL11 profile is secured against rotating/twisting. The DL11 has a compact motor housing, which is almost invisible in the tabletop construction, and the column is very sturdy. The DL11 has the same outer dimensions (ø70 mm) and motor-housing mounting holes as the two-part DL10 column, which makes them fit the same top frame and foot constructions, including the Kick & Click™ top frame. The DL11 is available in several standard colours to fit into a wide range of desk designs - and can optionally be delivered in other colours.

The wide DL11 product programme offers various options such as:

- PLUS™ - a design-optimised version - optionally available with trim rings in black, grey or white for optimised appearance
- PLUS™ High-speed - fast height adjustment and optimised design
- PLUS™ High-speed XL - fast height adjustment, optimised design, and long stroke length
- PIEZO™ (collision protection) minimising the risk of damage to a desk caused by collision with an obstacle

The DL11 columns are controlled by a DESKLINE® control box (CBD). The control box ensures optimal parallel drive and a pleasantly low sound level. Depending on the control box, the DL11 columns can be used as a single column or with 2, 3 or 4 columns in parallel systems, or up to 16 columns in multi-parallel systems. A variety of desk panels can be used for adjusting the desk. A Desk Sensor™ 1 anti-collision dongle can be plugged into the control box to limit material damage to a desk or an object in case a collision occurs during driving of the desk.

## Features/Options/Compatibility/Usage

### Features

- Three-part motor-housing column
- In combination with CBD6S:

Parameter	With CBD6S (300 W or 200 W)
Max. speed (unloaded)	38 mm/s
Max. load (per column)	800 N
Self-lock (per column)	800 N

- Installation dimension: 575 mm  
560 mm (always when PLUS and/or PIEZO)  
518 mm (BIFMA)
- Stroke length: 635 mm  
650 mm (always when PLUS and/or PIEZO)  
665 mm (BIFMA)
- Weight: Approximately 7.5 kg per column
- Dimensions column:  $\varnothing$ 70 mm (see also [Dimension drawings](#))
- Dimensions motor housing: 177 x 97 x 46 mm
- Four M6 and two M8 threaded holes in bottom plate for mounting of feet
- Colour: Available in black (RAL 9005), grey (RAL 9006) or white (RAL 9016)
- Low sound level
- The DL11 profile is secured against rotation/twisting

## Options

- Available in custom colours
- PIEZO™: Integrated sensor minimising the risk of damage to a desk caused by squeezing or blocking it in upward or downward direction
- PLUS™:
  - No visible gliding pads
  - Available with trim rings in black, grey or white
- High-speed: PLUS™ columns available as high-speed variants for fast height adjustment (in combination with CBD6S with software SW03002024 version 1.03 or newer)

Parameter	With CBD6S (300 W)	With CBD6S (200 W)
Max. speed (unloaded)	80 mm/s	60 mm/s
Max. load (per column)	700 N	
Self-lock (per column)	1200 N	

- High-speed XL: PLUS™ High-speed columns are available in variants with long stroke length

Parameter	With CBD6S (300 W)	With CBD6S (200 W)
Max. speed (unloaded)	80 mm/s	60 mm/s
Built-in dimension	785 mm	
Stroke length	1100 mm	
Max. load (per column)	600 N	
Self-lock (per column)	1200 N	
Bending moment	My = max. 100 Nm dynamic	

- Extended version XL (standard) dedicated for flat screens

Parameter	With CBD6S
Max. speed (unloaded)	38 mm/s
Built-in dimension	740 mm
Stroke length	965 mm
Max. load (per column)	600 N
Self-lock (per column)	600 N
Bending moment	My = max. 100 Nm dynamic

- Available as DESKLIFT™ SetPack

## Compatibility

- DESKLINE® control boxes
- DESKLINE® controls
- Kick & Click™ top frame
- DESKLIFT™ Feet

## Usage

- Single or 2, 3 or 4 parallel drive or even multi-parallel with up to 16 columns
- Duty cycle: 10% ≈ max. 2 minutes continuous use at full load followed by 18 minutes pause (Standard XL version: 5 % ≈ max. 2 minute continuous use at full load followed by 38 minutes pause)
- For indoor use in dry locations

Parameter	Operation	Storage and transportation
Temperature	10 to 40 °C	-10 to +50 °C
Relative humidity	20% to 80% - non-condensing	20% to 80% - non-condensing
Atmospheric pressure	800 to 1060 hPa	700 to 1060 hPa
Altitude	Max. 2000 m	N/A

For system compliance, please refer to the Declaration of Conformity in the [User Manual](#).

## Ordering

	DL11	
<b>SPINDLE TYPE</b>	0	0 = 20 mm pitch (Standard) 3 = 30 mm pitch *
<b>TRIM RINGS</b>	0	0 = No trim rings A = Grey trim rings ** B = Black trim rings ** D = White trim rings **
<b>OPTION</b>	0	0 = Standard
<b>COLOUR</b>	B	A = Grey (RAL 9006) B = Black (RAL 9005) D = White (RAL 9016)
<b>DESIGN</b>	P	0 = Standard P = PLUS column
<b>MOTOR TYPE</b>	0	0 = Standard E = PIEZO T = High-speed *** V = High-speed + PIEZO ***
<b>STROKE LENGTH</b>	650	635 = 635 mm 650 = 650 mm **** 665 = 665 mm (BIFMA) 965 = 965 mm (Standard XL) 1100 = 1100 mm (High-speed XL) *
<b>INSTALLATION DIM.</b>	560	575 = 575 mm 560 = 560 **** 518 = 518 mm (BIFMA) 740 = 740 mm (Standard XL) 785 = 785 mm (High-speed XL) *

**DL11000BP0650560**

\*: Always with motor type option T or V

\*\* : Only available with PLUS™ columns

\*\*\*: Always with PLUS™ columns and spindle type 30 mm pitch

\*\*\*\*: Always when PLUS and/or PIEZO



All cables for creating a fully connected DESKLINE® system must be ordered separately. We offer a range of different versions and lengths. To get information such as ordering number, and colour and length of the cables, please contact your local LINAK.



A column in BIFMA version is less stable in the full stroke length compared to a standard column as it has less overlap between the profiles.

## Technical data

### Performance curves

The following data is measured in connection with 2 to 4 lifting columns and control box CBD6S. The desk is driving upwards.



The curves below apply to a centrally placed load. With moment load, there will be increased friction in the columns, which will reduce the lifting force correspondingly.

#### DL11 800 N (20 mm spindle)

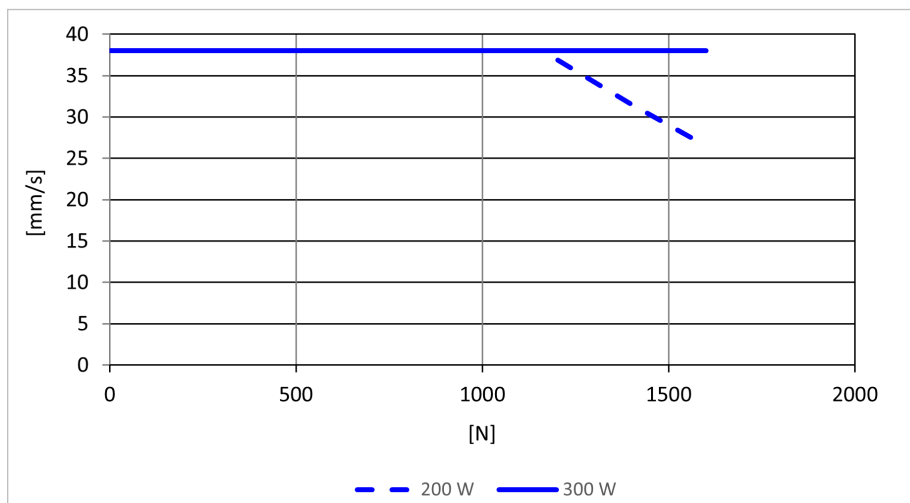


Figure 1 Two columns (equally loaded)

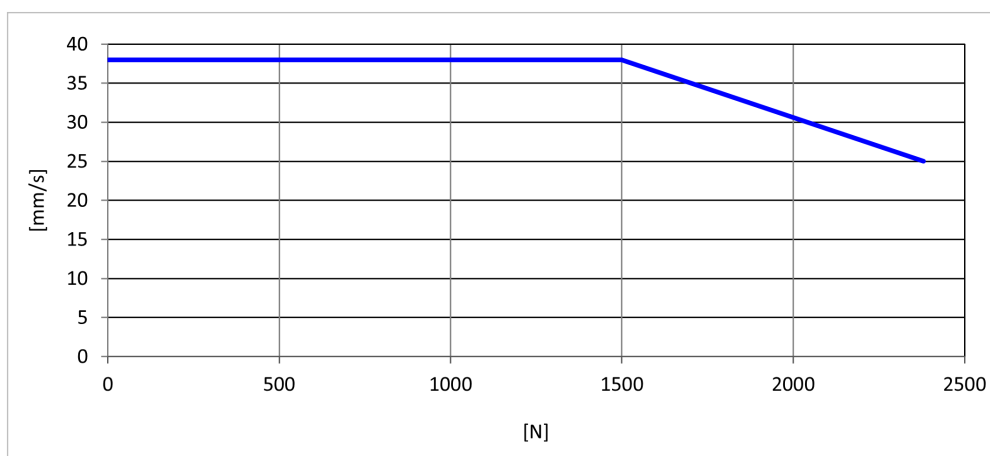


Figure 2 Three columns (equally loaded) with CBD6S - 300 W

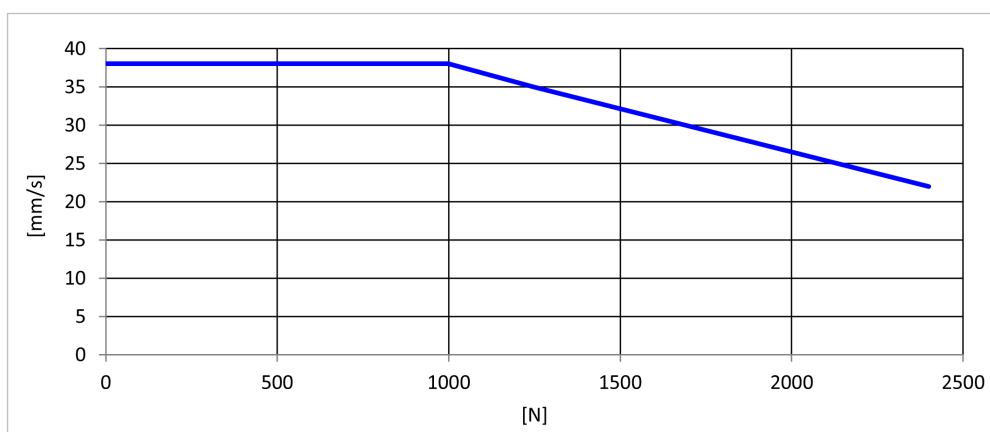


Figure 3 Four columns (equally loaded) with CBD6S - 300 W

## High-speed columns with CBD6S

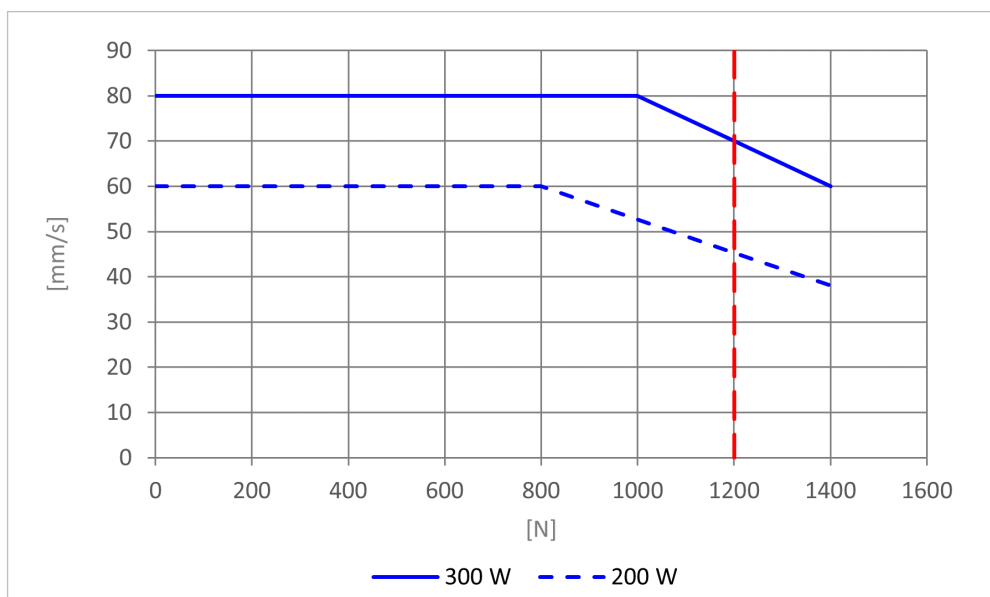


Figure 4 Two High-speed columns (equally loaded)

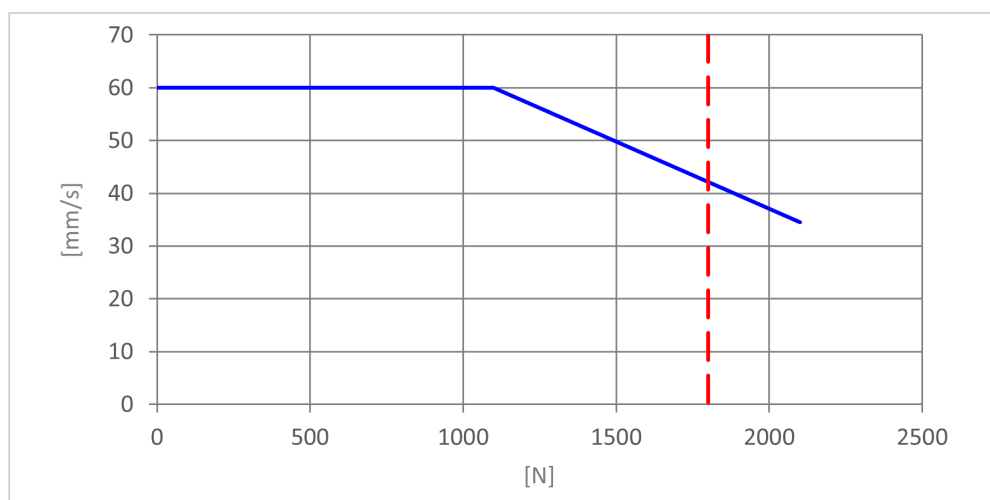


Figure 5 Three High-speed columns (equally loaded) with CBD6S - 300 W

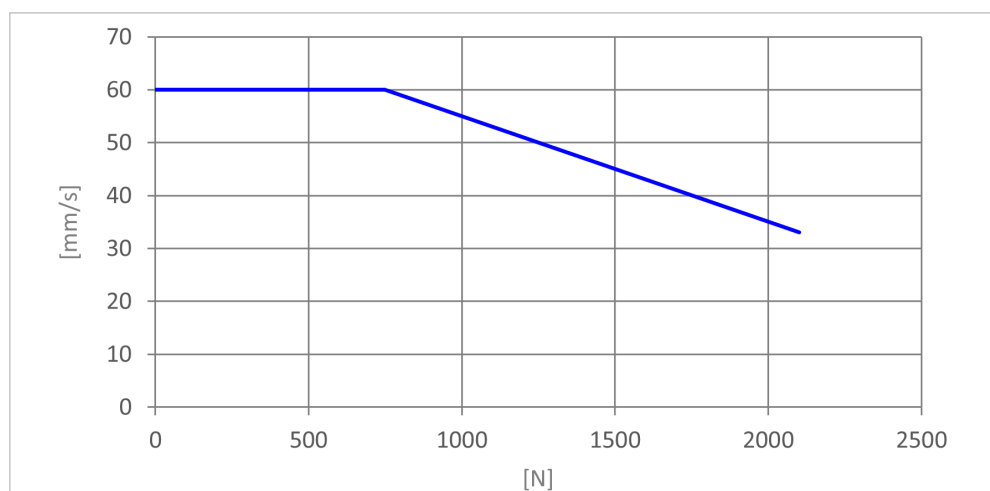


Figure 6 Four High-speed columns (equally loaded) with CBD6S - 300 W



The vertical dotted line indicates the maximum load for High-speed XL columns.

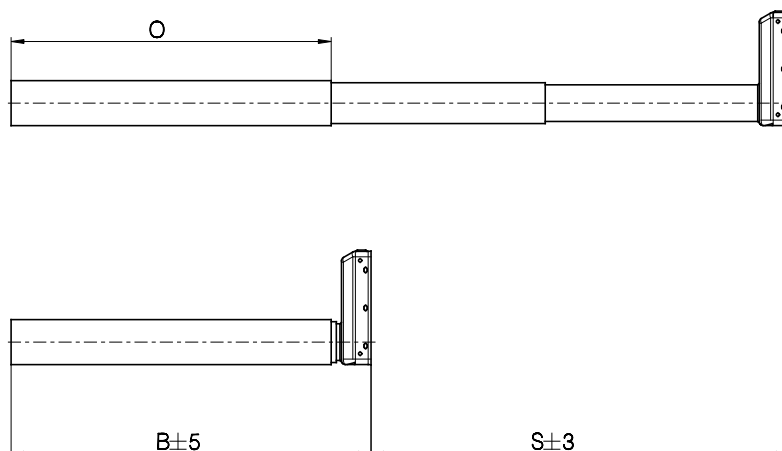


## Dimension drawings



All dimensions are in mm

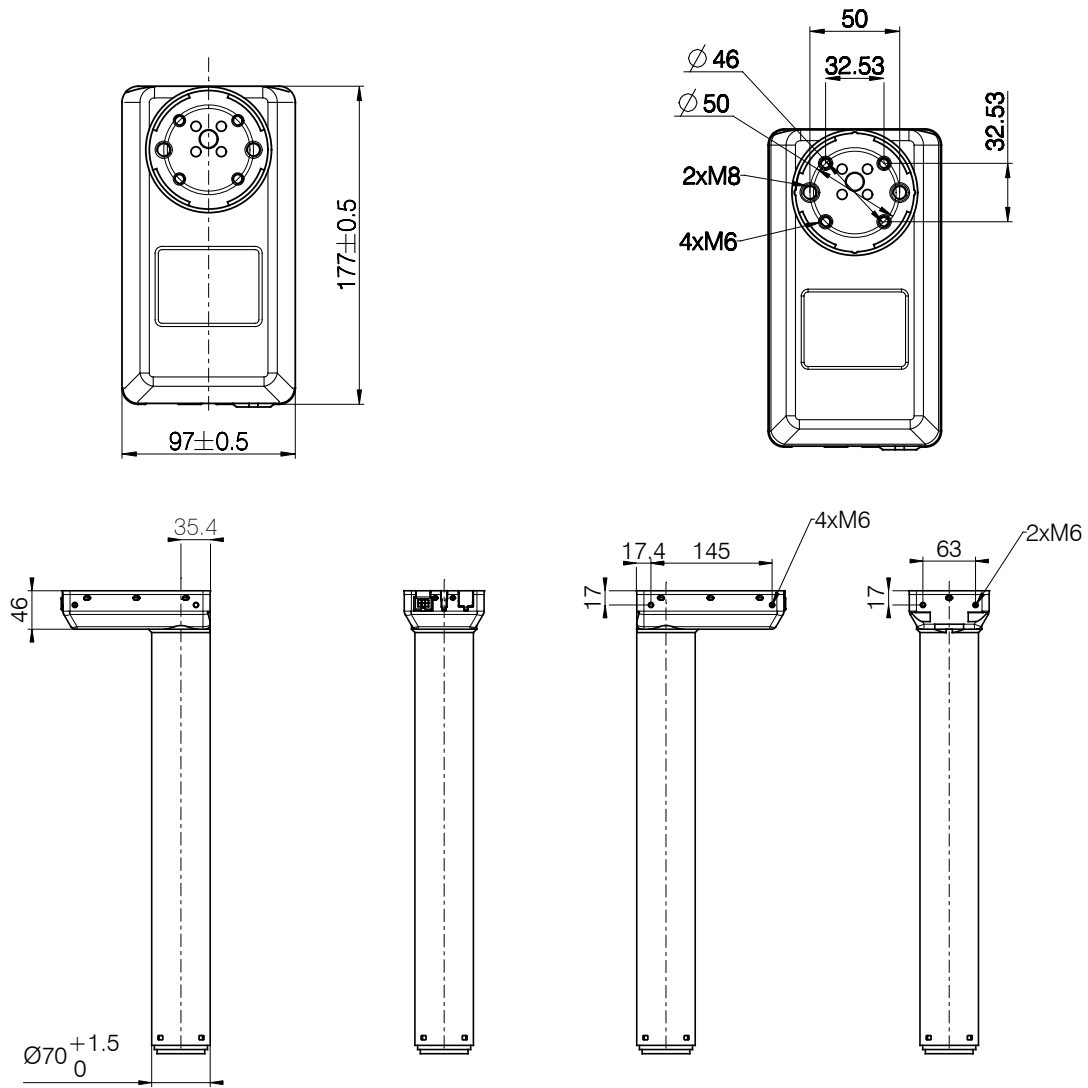
### Columns



Drawing no. 0699101

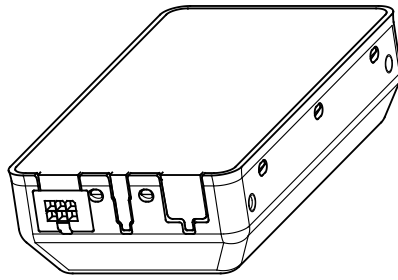
Version	Combination code	B (Built-in length)	S (Stroke length)	O (Outer profile length)
<b>Standard columns</b>				
Standard	DL11xxxx0635575	575	635	498
PIEZO	DL11xxxxE650560	560	650	498
BIFMA	DL11xxxxx665518	518	665	456
XL	DL11xxxxx965740	740	965	663
<b>PLUS columns</b>				
Standard	DL11xxxxPx650560	560	650	498
BIFMA	DL11xxxxPx665518	518	665	456
High-speed XL	DL113xxxPx1100785	785	1100	723

Figure 7 Built-in length, stroke length, and outer profile length



Drawing no. 0699101

Figure 8 Motor-housing, bottom plate, and profile

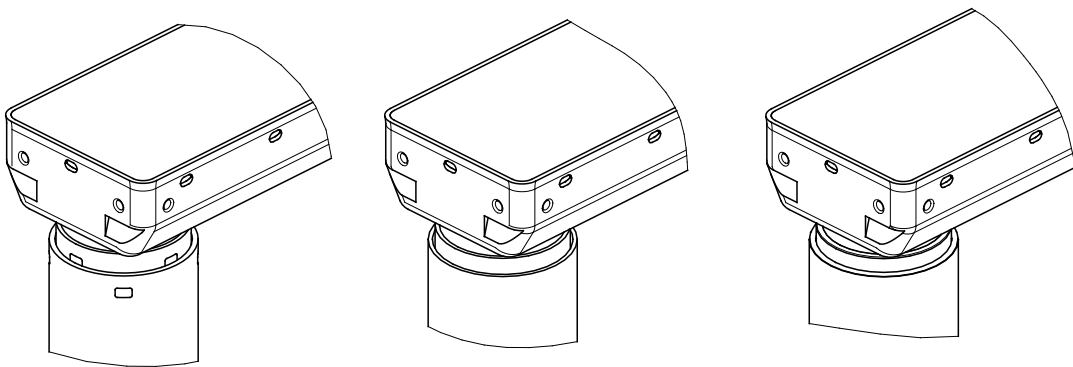


Standard

Drawing no. 0699101

Combination code	Type
DL11xxxxxxxxxxx	Standard

Figure 9 Socket combination



Standard

PLUS™ without trim rings

PLUS™ with trim rings

Drawing no. 0699101

Figure 10 Profile designs

# Contacts

## FACTORIES

Denmark - Headquarters  
 LINAK A/S  
 Phone: +45 73 15 15 15  
 Fax: +45 74 45 80 48  
 Fax (Sales): +45 73 15 16 13  
 Web: www.linak.com

China  
 LINAK (Shenzhen) Actuator Systems, Ltd.  
 Phone: +86 755 8610 6656  
 Phone: +86 755 8610 6990  
 Web: www.linak.cn

Slovakia  
 LINAK Slovakia s.r.o.  
 Phone: +421 51 7563 444  
 Web: www.linak.sk

Thailand  
 LINAK APAC Ltd.  
 Phone: +66 33 265 400  
 Web: www.linak.com

USA  
 LINAK U.S. Inc.  
 Americas Headquarters  
 Phone: +1 502 253 5595  
 Fax: +1 502 253 5596  
 Web: www.linak-us.com  
 www.linak-latinamerica.com

## SUBSIDIARIES

Australia  
 LINAK Australia Pty. Ltd  
 Phone: +61 3 8796 9777  
 Fax: +61 3 8796 9778  
 E-mail: sales@linak.com.au  
 Web: www.linak.com.au

Austria  
 LINAK Zweigniederlassung - Österreich (Wien)  
 Phone: +43 (1) 890 7446  
 Fax: +43 (1) 890 744615  
 E-mail: info@linak.de  
 Web: www.linak.at - www.linak.hu

Belgium  
 LINAK Actuator-Systems NV/SA  
 (Belgium & Luxembourg)  
 Phone: +32 (0)9 230 01 09  
 E-mail: beinfo@linak.be  
 Web: www.linak.be - www.fr.linak.be

Brazil  
 LINAK Do Brasil Comércio De Atuadores Ltda.  
 Phone: +55 (11) 2832 7070  
 Fax: +55 (11) 2832 7060  
 E-mail: info@linak.com.br  
 Web: www.linak.com.br

Canada  
 LINAK Canada Inc.  
 Phone: +1 502 253 5595  
 Fax: +1 416 255 7720  
 E-mail: info@linak.ca  
 Web: www.linak-us.com

Czech Republic  
 LINAK C&S s.r.o.  
 Phone: +42 058 174 1814  
 Fax: +42 058 170 2452  
 E-mail: info@linak.cz  
 Web: www.linak.cz - www.linak.sk

Denmark - International  
 LINAK International  
 Phone: +45 73 15 15 15  
 E-mail: info@linak.com  
 Web: www.linak.com

Denmark - Sales  
 LINAK Danmark A/S  
 Phone: +45 86 80 36 11  
 Fax: +45 86 82 90 51  
 E-mail: linak@linak-silkeborg.dk  
 Web: www.linak.dk

Finland  
 LINAK OY  
 Phone: +358 10 841 8700  
 E-mail: linak@linak.fi  
 Web: www.linak.fi

France  
 LINAK France E.U.R.L.  
 Phone: +33 (0) 2 41 36 34 34  
 Fax: +33 (0) 2 41 36 35 00  
 E-mail: linak@linak.fr  
 Web: www.linak.fr

Germany  
 LINAK GmbH  
 Phone: +49 6043 9655 0  
 Fax: +49 6043 9655 60  
 E-mail: info@linak.de  
 Web: www.linak.de

India  
 LINAK A/S India Liaison Office  
 Phone: +91 120 4531797  
 Fax: +91 120 4786428  
 E-mail: info@linak.in  
 Web: www.linak.in

Ireland  
 LINAK UK Limited (Ireland)  
 Phone: +44 (0)121 544 2211  
 Fax: +44 (0)121 544 2552  
 +44 (0)796 855 1606 (UK Mobile)  
 +35 387 634 6554 (Rep.of Ireland Mobile)  
 E-mail: sales@linak.co.uk  
 Web: www.linak.co.uk

Italy  
 LINAK ITALIA S.r.l.  
 Phone: +39 02 48 46 33 66  
 Fax: +39 02 48 46 82 52  
 E-mail: info@linak.it  
 Web: www.linak.it

Japan  
 LINAK K.K.  
 Phone: 81-45-533-0802  
 Fax: 81-45-533-0803  
 E-mail: linak@linak.jp  
 Web: www.linak.jp

Malaysia  
 LINAK Actuators Sdn. Bhd.  
 Phone: +60 4 210 6500  
 Fax: +60 4 226 8901  
 E-mail: info@linak-asia.com  
 Web: www.linak.my

Netherlands  
 LINAK Actuator-Systems B.V.  
 Phone: +31 76 5 42 44 40 /  
 +31 76 200 11 10  
 E-mail: info@linak.nl  
 Web: www.linak.nl

New Zealand  
 LINAK New Zealand Ltd  
 Phone: +64 9580 2071  
 Fax: +64 9580 2072  
 E-mail: nzsales@linak.com.au  
 Web: www.linak.com.au

Norway  
 LINAK Norge AS  
 Phone: +47 32 82 90 90  
 E-mail: info@linak.no  
 Web: www.linak.no

Poland  
 LINAK Polska  
 LINAK Danmark A/S (Spółka Akcyjna)  
 Phone: +48 22 295 09 70 /  
 +48 22 295 09 71  
 E-mail: info@linak.pl  
 Web: www.linak.pl

Republic of Korea  
 LINAK Korea Ltd.  
 Phone: +82 2 6231 1515  
 Fax: +82 2 6231 1516  
 E-mail: info@linak.kr  
 Web: www.linak.kr

Slovakia  
 LINAK Slovakia S.R.O.  
 Phone: +421 51 7563 444  
 Web: www.linak.sk

Spain  
 LINAK Actuadores, S.L.u  
 Phone: +34 93 588 27 77  
 Fax: +34 93 588 27 85  
 E-mail: esma@linak.es  
 Web: www.linak.es

Sweden  
 LINAK Scandinavia AB  
 Phone: +46 8 732 20 00  
 Fax: +46 8 732 20 50  
 E-mail: info@linak.se  
 Web: www.linak.se

Switzerland  
 LINAK AG  
 Phone: +41 43 388 31 88  
 Fax: +41 43 388 31 87  
 E-mail: info@linak.ch  
 Web: www.linak.ch - www.fr.linak.ch  
 www.it.linak.ch

Taiwan  
 LINAK (Shenzhen) Actuator systems Ltd.  
 Taiwan Representative office  
 Phone: +886 2 272 90068  
 Fax: +886 2 272 90096  
 E-mail: sales@linak.com.tw  
 Web: www.linak.com.tw

Turkey  
 LINAK İth. İhr. San. ve Tic. A.Ş.  
 Phone: +90 312 4726338  
 Fax: +90 312 4726635  
 E-mail: info@linak.com.tr  
 Web: www.linak.com.tr

United Kingdom  
 LINAK UK Limited  
 Phone: +44 (0)121 544 2211  
 Fax: +44 (0)121 544 2552  
 E-mail: sales@linak.co.uk  
 Web: www.linak.co.uk

## DISTRIBUTORS

Argentina  
 Novotec Argentina SRL  
 Phone: 011-4303-8989 / 8900  
 Fax: 011-4032-0184  
 E-mail: info@novotecargentina.com  
 Web: www.novotecargentina.com

Colombia  
 MEM Ltda  
 Phone: +[57] (1) 334-7666  
 Fax: +[57] (1) 282-1684  
 E-mail: servicioalcliente@memlda.com.co  
 Web: www.mem.net.co

India  
 Mechatronics Control Equipments India Pvt Ltd  
 Phone: +91-44-28558484, 85  
 E-mail: bala@mechatronicscontrol.com  
 Web: www.mechatronicscontrol.com

Indonesia  
 PT. Himalaya Everest Jaya  
 Phone: +6 221 544 8956 /+6 221 544 8965  
 Fax: +6 221 619 1925  
 Fax (Sales): +6 221 619 4658  
 E-mail: hejplastic-div@centrin.net.id  
 Web: www.hej.co.id

Israel  
 NetivTech LTD  
 Phone: +972 55-2266-535  
 Fax: +972 2-9900-560  
 Email: info@NetivTech.com  
 Web: www.netivtech.com

Singapore  
 Servo Dynamics Pte Ltd  
 Phone: +65 6844 0288  
 Fax: +65 6844 0070  
 E-mail: servodynamics@servo.com.sg

South Africa  
 Industrial Specialised Applications CC  
 Phone: +27 011 466 0346  
 E-mail: gartht@isagroup.co.za  
 Web: www.isaza.co.za

United Arab Emirates  
 Mechatronics  
 Phone: +971 4 267 4311  
 Fax: +971 4 267 4312  
 E-mail: mechtron@emirates.net.ae

## Terms of use

LINAK® takes great care in providing accurate and up-to-date information on its products. However, the user is responsible for determining the suitability of LINAK products for a specific application. Due to continual development, LINAK products are subject to frequent modifications and changes. LINAK reserves the rights to conduct modifications, updates, and changes without any prior notice. For the same reason, LINAK cannot guarantee the correctness and actual status of imprinted information on its products.

LINAK uses its best efforts to fulfil orders. However, for the reasons mentioned above, LINAK cannot guarantee availability of any particular product at any given time. LINAK reserves the right to discontinue the sale of any product displayed on its website or listed in its catalogues or in other written material created and produced by LINAK, LINAK subsidiaries, or LINAK affiliates. All sales are subject to the 'Standard Terms of Sale and Delivery for LINAK A/S' available on LINAK websites. LINAK and the LINAK logotype are registered trademarks of LINAK A/S. All rights reserved.



WE IMPROVE YOUR LIFE