

# DESKLIFT™ DL10 IC

## Data Sheet





The DESKLIFT™ DL10 IC (Integrated Controller) is a compact two-part lifting column with round profiles based on our DL10 column. The DL10 IC is a perfect choice for adjustable economy office desks using only two columns and requiring a stroke length of maximum 500 mm. The DL10 IC lifting column has the same outer profile dimension and mounting holes as the three-part DL11 IC column. Thus, they can be used in the same tabletop and table foot construction, including the Kick & Click™ top frame.

The DL10 IC column is available in three standard colours (black, grey and white) - and can optionally be delivered in other colours.

The DL10 IC product programme offers various options such as DL10 IC PLUS™ - a design-optimised version - optionally available with trim rings in black, grey or white for optimised appearance.

An IC system consists of two columns, a control column and a companion column connected via a motor cable. The control column has a built-in control PCB; thus, no separate control box must be mounted in an IC system. The mains supply is an external SMPS (Switch Mode Power Supply) unit, and a variety of desk panels can be used for adjusting the desk. A Desk Sensor™ 1 anti-collision dongle can be added to the system to limit material damage to a desk or an object in case a collision occurs during driving of the desk.

## Features/Options/Usage

### Features

- Two-part motor-housing column
- In combination with SMPS:

Parameter	With SPMS001 / SMPS002 / SMPS006
Max. speed (unloaded)	38 mm/s
Max. load (per column)	500 N
Self-lock (per column)	500 N

- Standard installation dimension: 645 mm
- Standard stroke length: 500 mm
- Weight: Approximately 6.5 kg per column
- Dimensions column: ø70 mm (see also [Dimension drawings](#))
- Dimension motor housing: 177 x 97 x 46 mm
- Four M6 threaded holes in bottom plate for mounting of feet
- Colour: Available in black (RAL 9005), grey (RAL 9006) or white (RAL 9016)
- Low noise level
- The profile is secured against rotation/twisting

### Options

- PLUS™:
  - No visible gliding pads
  - Available with trim rings in black, grey or white
  - Four M6 and two M8 threaded holes in bottom plate for mounting of feet
- Available as DESKLIFT™ SetPack

### Usage

- 2 parallel drive with one DL10 IC Control and one DL10 IC Companion, and an external power supply (SMPS001 (230 V), SMPS002 (120 V) or SMPS006 (Universal))
- Duty cycle: 10 % ≈ 2 minutes continuous use at full load, followed by 18 minutes pause
- For indoor use in dry locations

Parameter	Operation	Storage and transportation
Temperature	10 to 40 °C	-10 to +50 °C
Relative humidity	20% to 80% - non-condensing	20% to 80% - non-condensing
Atmospheric pressure	700 to 1060 hPa	700 to 1060 hPa
Altitude	Max. 2000 m	Max. 2000 m

- Compatible with DESKLINE® controls
- Compatible with Battery Box BA001
- Compatible with the Kick & Click™ mounting solution
- Compatible with DESKLIFT™ Feet
- System compliance, see the Declaration of Conformity in the [User Manual](#)



Be aware that when a desk panel DP1CS, DPF1C, DPF1D, or DPT is used, the light intensity must be configured to 50% before use.

## Ordering

DL10		
SPINDLE TYPE	0	0 = 20 mm pitch (Standard)
TRIM RING	0	0 = No trim ring A = Grey trim ring * B = Black trim ring * D = White trim ring *
OPTION	0	0 = Standard
COLOUR	B	A = Grey (RAL 9006) B = Black (RAL 9005) D = White (RAL 9016)
OPTION	0	0 = Standard P = PLUS series
MOTOR TYPE	0	M = IC Control S = IC Companion
STROKE LENGTH	500	500 = 500 mm
INSTALLATION DIM.	645	645 = 645 mm
<b>Selected item type: DL10000B00500645</b>		

\*: Only available with PLUS variants



All cables for creating a fully connected DESKLINE® system must be ordered separately. We offer a range of different versions and lengths. To get information such as ordering number, and colour and length of the cables, please contact your local LINAK.

## Performance curves

The data below is measured in connection with two IC lifting columns and SMPS001/002/006. The desk is driving upwards.



The curves below apply to a centrally placed load. With moment load, there will be increased friction in the columns, which will reduce the lifting force.

### With SMPS001/002/006

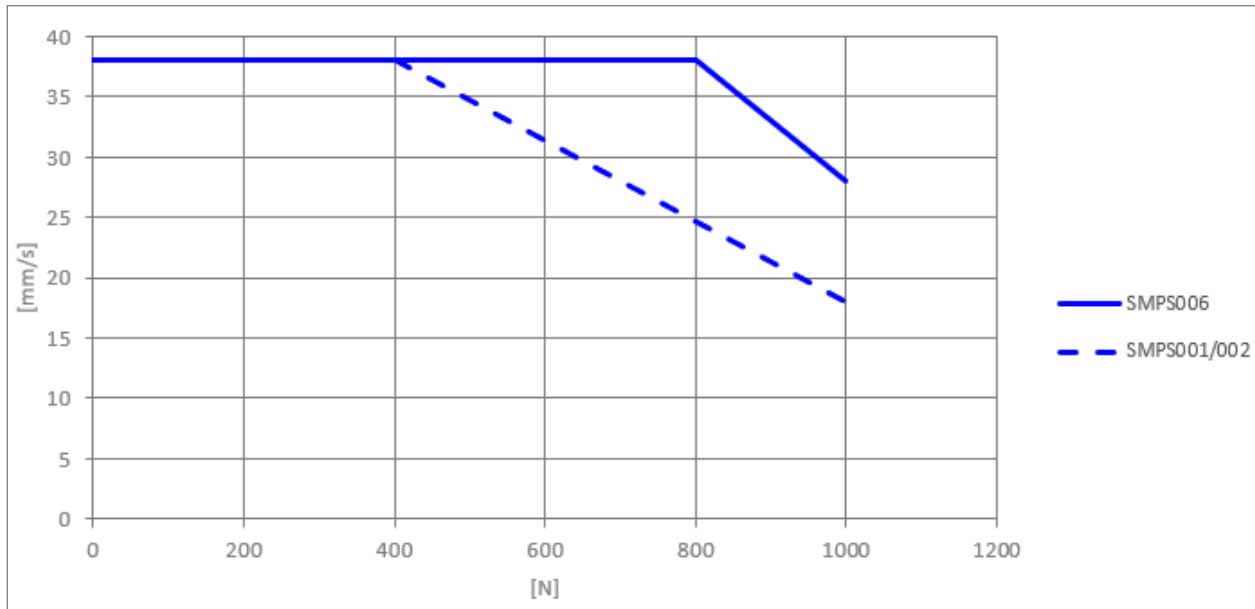


Figure 1 Two IC columns (equally loaded) with SMPS001/002/006

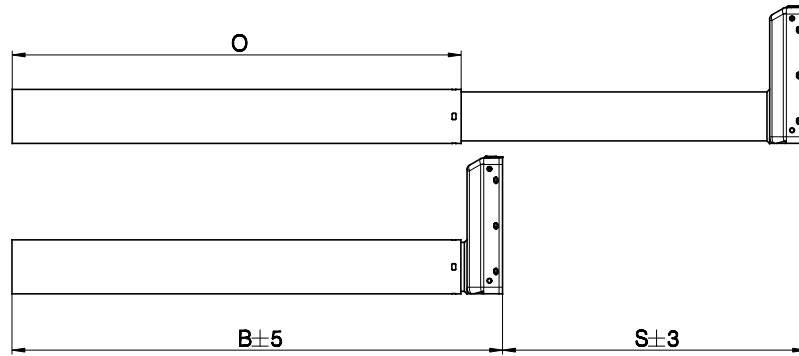


The end-stop system in the IC column is based on a buffer system, meaning that you must be aware of the lengths when initialising. The products must be able to drive:

Inward direction: Installation dimension - tolerances - 5 mm

Outward direction: Installation dimension + stroke length + tolerances + 5 mm

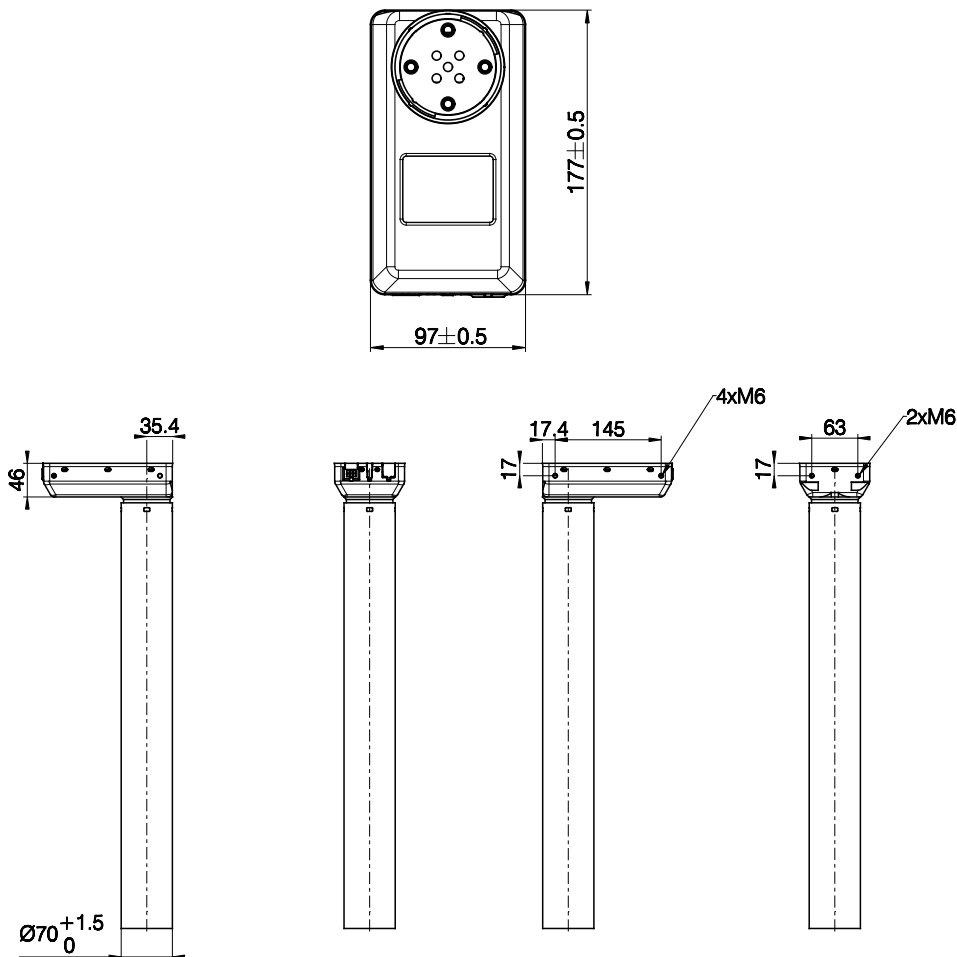
## Dimension drawings



Drawing no. 1040W7901

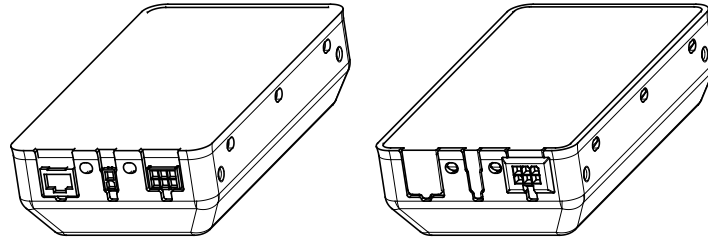
Version	Combination code	S (Stroke length) [mm]	B (Built-in length) [mm]	O (Outer profile length) [mm]
DL10	DL10xxxxxx500645	500	645	590

Figure 2 Built-in length, stroke length, and outer profile length (mm)



Drawing no. 1040W7901

Figure 3 Motor-housing and profile dimensions (mm)



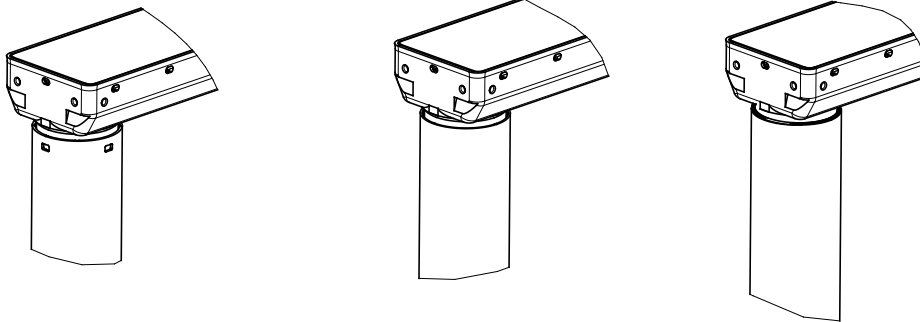
IC Control

IC Companion

Drawing no. 1040W7901

Combination code	Type
DL10xxxxMxxxxxx	IC Control
DL10xxxxSxxxxxx	IC Companion

Figure 4 Socket combination



Standard

PLUS™ without trim ring

PLUS™ with trim ring

Drawing no. 1040W7901

Figure 5 Profile designs

# Contacts

## FACTORIES

Denmark - Headquarters  
LINAK A/S  
Phone: +45 73 15 15 15  
Fax: +45 74 45 80 48  
Fax (Sales): +45 73 15 16 13  
Web: www.linak.com

China  
LINAK (Shenzhen) Actuator Systems, Ltd.  
Phone: +86 755 8610 6656  
Phone: +86 755 8610 6990  
Web: www.linak.cn

Slovakia  
LINAK Slovakia s.r.o.  
Phone: +421 51 7563 444  
Web: www.linak.sk

Thailand  
LINAK APAC Ltd.  
Phone: +66 33 265 400  
Web: www.linak.com

USA  
LINAK U.S. Inc.  
Americas Headquarters  
Phone: +1 502 253 5595  
Fax: +1 502 253 5596  
Web: www.linak-us.com  
www.linak-latinamerica.com

## SUBSIDIARIES

Australia  
LINAK Australia Pty. Ltd  
Phone: +61 3 8796 9777  
Fax: +61 3 8796 9778  
E-mail: sales@linak.com.au  
Web: www.linak.com.au

Austria  
LINAK Zweigniederlassung - Österreich (Wien)  
Phone: +43 (1) 890 7446  
Fax: +43 (1) 890 744615  
E-mail: info@linak.de  
Web: www.linak.at - www.linak.hu

Belgium  
LINAK Actuator-Systems NV/SA  
(Belgium & Luxembourg)  
Phone: +32 (0)9 230 01 09  
E-mail: beinfo@linak.be  
Web: www.linak.be - www.fr.linak.be

Brazil  
LINAK Do Brasil Comércio De Atuadores Ltda.  
Phone: +55 (11) 2832 7070  
Fax: +55 (11) 2832 7060  
E-mail: info@linak.com.br  
Web: www.linak.com.br

Canada  
LINAK Canada Inc.  
Phone: +1 502 253 5595  
Fax: +1 416 255 7720  
E-mail: info@linak.ca  
Web: www.linak-us.com

Czech Republic  
LINAK C&S s.r.o.  
Phone: +42 058 174 1814  
Fax: +42 058 170 2452  
E-mail: info@linak.cz  
Web: www.linak.cz - www.linak.sk

Denmark - International  
LINAK International  
Phone: +45 73 15 15 15  
E-mail: info@linak.com  
Web: www.linak.com

Denmark - Sales  
LINAK Danmark A/S  
Phone: +45 86 80 36 11  
Fax: +45 86 82 90 51  
E-mail: linak@linak-silkeborg.dk  
Web: www.linak.dk

Finland  
LINAK OY  
Phone: +358 10 841 8700  
E-mail: linak@linak.fi  
Web: www.linak.fi

France  
LINAK France E.U.R.L.  
Phone: +33 (0) 2 41 36 34 34  
Fax: +33 (0) 2 41 36 35 00  
E-mail: linak@linak.fr  
Web: www.linak.fr

Germany  
LINAK GmbH  
Phone: +49 6043 9655 0  
Fax: +49 6043 9655 60  
E-mail: info@linak.de  
Web: www.linak.de

India  
LINAK A/S India Liaison Office  
Phone: +91 120 4531797  
Fax: +91 120 4786428  
E-mail: info@linak.in  
Web: www.linak.in

Ireland  
LINAK UK Limited (Ireland)  
Phone: +44 (0)121 544 2211  
Fax: +44 (0)121 544 2552  
+44 (0)796 855 1606 (UK Mobile)  
+35 387 634 6554 (Rep.of Ireland Mobile)  
E-mail: sales@linak.co.uk  
Web: www.linak.co.uk

Italy  
LINAK ITALIA S.r.l.  
Phone: +39 02 48 46 33 66  
Fax: +39 02 48 46 82 52  
E-mail: info@linak.it  
Web: www.linak.it

Japan  
LINAK K.K.  
Phone: 81-45-533-0802  
Fax: 81-45-533-0803  
E-mail: linak@linak.jp  
Web: www.linak.jp

Malaysia  
LINAK Actuators Sdn. Bhd.  
Phone: +60 4 210 6500  
Fax: +60 4 226 8901  
E-mail: info@linak-asia.com  
Web: www.linak.my

Netherlands  
LINAK Actuator-Systems B.V.  
Phone: +31 76 5 42 44 40 /  
+31 76 200 11 10  
E-mail: info@linak.nl  
Web: www.linak.nl

New Zealand  
LINAK New Zealand Ltd  
Phone: +64 9580 2071  
Fax: +64 9580 2072  
E-mail: nzsales@linak.com.au  
Web: www.linak.com.au

Norway  
LINAK Norge AS  
Phone: +47 32 82 90 90  
E-mail: info@linak.no  
Web: www.linak.no

Poland  
LINAK Polska  
LINAK Danmark A/S (Spółka Akcyjna)  
Phone: +48 22 295 09 70 /  
+48 22 295 09 71  
E-mail: info@linak.pl  
Web: www.linak.pl

Republic of Korea  
LINAK Korea Ltd.  
Phone: +82 2 6231 1515  
Fax: +82 2 6231 1516  
E-mail: info@linak.kr  
Web: www.linak.kr

Slovakia  
LINAK Slovakia S.R.O.  
Phone: +421 51 7563 444  
Web: www.linak.sk

Spain  
LINAK Actuadores, S.L.u  
Phone: +34 93 588 27 77  
Fax: +34 93 588 27 85  
E-mail: esma@linak.es  
Web: www.linak.es

Sweden  
LINAK Scandinavia AB  
Phone: +46 8 732 20 00  
Fax: +46 8 732 20 50  
E-mail: info@linak.se  
Web: www.linak.se

Switzerland  
LINAK AG  
Phone: +41 43 388 31 88  
Fax: +41 43 388 31 87  
E-mail: info@linak.ch  
Web: www.linak.ch - www.fr.linak.ch  
www.it.linak.ch

Taiwan  
LINAK (Shenzhen) Actuator systems Ltd.  
Taiwan Representative office  
Phone: +886 2 272 90068  
Fax: +886 2 272 90096  
E-mail: sales@linak.com.tw  
Web: www.linak.com.tw

Turkey  
LINAK İth. İhr. San. ve Tic. A.Ş.  
Phone: +90 312 4726338  
Fax: +90 312 4726635  
E-mail: info@linak.com.tr  
Web: www.linak.com.tr

United Kingdom  
LINAK UK Limited  
Phone: +44 (0)121 544 2211  
Fax: +44 (0)121 544 2552  
E-mail: sales@linak.co.uk  
Web: www.linak.co.uk

## DISTRIBUTORS

Argentina  
Novotec Argentina SRL  
Phone: 011-4303-8989 / 8900  
Fax: 011-4032-0184  
E-mail: info@novotecargentina.com  
Web: www.novotecargentina.com

Colombia  
MEM Ltda  
Phone: +[57] (1) 334-7666  
Fax: +[57] (1) 282-1684  
E-mail: servicioalcliente@memlda.com.co  
Web: www.mem.net.co

India  
Mechatronics Control Equipments India Pvt Ltd  
Phone: +91-44-28558484, 85  
E-mail: bala@mechatronicscontrol.com  
Web: www.mechatronicscontrol.com

Indonesia  
PT. Himalaya Everest Jaya  
Phone: +6 221 544 8956 /+6 221 544 8965  
Fax: +6 221 619 1925  
Fax (Sales): +6 221 619 4658  
E-mail: hejplastic-div@centrin.net.id  
Web: www.hej.co.id

Israel  
NetivTech LTD  
Phone: +972 55-2266-535  
Fax: +972 2-9900-560  
Email: info@NetivTech.com  
Web: www.netivtech.com

Singapore  
Servo Dynamics Pte Ltd  
Phone: +65 6844 0288  
Fax: +65 6844 0070  
E-mail: servodynamics@servo.com.sg

South Africa  
Industrial Specialised Applications CC  
Phone: +27 011 466 0346  
E-mail: gartht@isagroup.co.za  
Web: www.isaza.co.za

United Arab Emirates  
Mechatronics  
Phone: +971 4 267 4311  
Fax: +971 4 267 4312  
E-mail: mechtron@emirates.net.ae

## Terms of use

LINAK® takes great care in providing accurate and up-to-date information on its products. However, the user is responsible for determining the suitability of LINAK products for a specific application. Due to continual development, LINAK products are subject to frequent modifications and changes. LINAK reserves the rights to conduct modifications, updates, and changes without any prior notice. For the same reason, LINAK cannot guarantee the correctness and actual status of imprinted information on its products.

LINAK uses its best efforts to fulfil orders. However, for the reasons mentioned above, LINAK cannot guarantee availability of any particular product at any given time. LINAK reserves the right to discontinue the sale of any product displayed on its website or listed in its catalogues or in other written material created and produced by LINAK, LINAK subsidiaries, or LINAK affiliates. All sales are subject to the 'Standard Terms of Sale and Delivery for LINAK A/S' available on LINAK websites. LINAK and the LINAK logotype are registered trademarks of LINAK A/S. All rights reserved.



WE IMPROVE YOUR LIFE