

# DL10 EXPERIENCE™

## Data Sheet





The DL10 EXPERIENCE™ column is part of a whole new generation of lifting columns, raising the bar for electrically height-adjustable desks with true LINAK innovation. On the outside the DL10 EXPERIENCE looks like a classic DL10 PLUS™ column. The real innovation has happened on the inside.

The EXPERIENCE columns are the first 2-part LINAK columns that feature fast 80 mm/s speed. Furthermore, the DL10 EXPERIENCE feature 800 N load per column, and a self-lock of 1200 N as standard. These three features could previously not coexist in one system. Together with a well-rounded pleasant sound, these features make DL10 EXPERIENCE push the boundaries of what is standard and raise the bar for performance.

Additionally, the Ø70 mm round 2-part column is both PVC and PFAS-free addressing the increasing focus on materials and, on top of that, it uses 30% less power while driving than its predecessor, despite the increase in performance. Our standard Control Box CBD6S features ZERO™ ensuring that the system uses less than 0.1 W in standby. Compatibility with DESKLINE® desk panels and all accessories ensures that the integration of DL10 EXPERIENCE is just Plug & Play™. Simply put, EXPERIENCE is engineered to perform and built to last without any sacrifices or compromises making it a perfect choice for office desks and similar desk applications.

## Features/Options/Compatibility/Usage

### Features

- Two-part motor-housing column
- PLUS™: Invisible gliding pads and a smooth outer profile with no punch marks
- In combination with CBD6S:

Parameter	With CBD6S
Max. speed (unloaded)	80 mm/s
Max. load (per column)	800 N
Self-lock (per column)	1200 N

- Installation dimension: 645 mm
- Stroke length: 500 mm
- Weight: Approximately 6.1 kg per column
- Dimensions column:  $\varnothing$ 70 mm (see also [Dimension drawings](#))
- Dimensions motor housing: 177 x 97 x 46 mm
- Four M6 and two M8 threaded holes in bottom plate for mounting of feet
- Colour: Available in black (RAL 9005), grey (RAL 9006) or white (RAL 9016)
- Low sound level
- The profile is secured against rotation/twisting to a max. twisting moment of 200 Nm

### Options

- Trim ring in black, grey or white
- Custom colours
- Available as DESKLIFT™ EXPERIENCE SetPack

### Compatibility

- DESKLINE® control boxes
- DESKLINE® controls
- Kick & Click™ top frame
- Desk Frame 5 top frame
- DESKLIFT™ Feet

EXPERIENCE™ columns are compatible with DESKLINE® control boxes with SW03002024 (ver. 1.06 or later) or SW03002026 (ver 1.15 or later).

## Usage

- Single or 2, 3 or 4 parallel drive
- Duty cycle:  
Load ≤ 600 N: 10% ≈ max. 60 seconds continuous use, followed by 540 seconds pause  
Load > 600 N: 5% ≈ max. 30 seconds continuous use, followed by 570 seconds pause
- For indoor use in dry locations

Parameter	Operation	Storage and transportation
Temperature	10 to 40 °C	-10 to +50 °C
Relative humidity	20% to 80% - non-condensing	20% to 80% - non-condensing
Atmospheric pressure	800 to 1060 hPa	700 to 1060 hPa
Altitude	Max. 2000 m	N/A



### Duty cycle:

If you plan to perform lifetime tests on LINAk systems, please contact LINAk for guidelines.



For system compliance, please refer to the Declaration of Conformity in the [User Manual](#) and the Sales Backup chapter for [CBD6S](#)

## Ordering

### Bulk

DL10		
MOTOR TYPE	F	F = EXPERIENCE Motor
SPINDLE PITCH	30	30 = 30 mm pitch
OPTION	0	0 = Standard
OPTION	0	0 = Standard
COLOUR	B001	A120 = Grey (RAL 9006) B001 = Black (RAL 9005) D022 = White (RAL 9016)
TRIM RING	0	0 = None A = Grey B = Black D = White
OPTION	0	0 = Standard
DESIGN	P	P = PLUS serie
OPTION	0	0 = Standard
OPTION	0	0 = Standard
OPTION	0	0 = Standard
OPTION	0	0 = Standard
OPTION	0	0 = Standard
OPTION	0	0 = Standard
OPTION	0	0 = Standard
STROKE LENGTH	0500	0500 = 500 mm
INSTALLATION DIM.	645	645 = 645 mm

**DL10F3000B00100P0000000500645**



All cables for creating a fully connected DESKLINE® system must be ordered separately. We offer a range of different versions and lengths. To get information such as ordering number, and colour and length of the cables, please contact your local LINAK.

## SetPack

The EXPERIENCE columns are available as set-packed solutions comprising 2 columns, a control box, mains and motor cables, and a control. For combination options, please refer to the overview below.

As the set-packed EXPERIENCE columns cannot be ordered via eCon, please issue a system specification.

	DLS	
DESK TYPE	6	6 = 2 PLUS legs
COLUMN TYPE	DL10	DL10 = DL10
PITCH	2	2 = EXPERIENCE - 30 mm pitch
MOTOR TYPE	F	F = EXPERIENCE G = EXPERIENCE + DS1
COLOUR	B	A = Grey (RAL 9006) D = White (RAL 9016) B = Black (RAL 9005)
OPTION	0	0 = Standard
STROKE LENGTH	500	500 = 500 mm
INSTALLATION DIM.	645	645 = 645 mm
CONTROL BOX	A	A = CBD6S, 200 W, EU 0 = None B = CBD6S, 200 W, US
MAINS CABLE	AA	AA = EU, 2.0 m * AC = US, 3.2 m AE = EU, 3.2 m AH = KOR, 3.2 m AJ = JP, 3.2 m AB = UK, 3.2 m AD = CH, 3.2 m AG = US, 3.2 m * AI = EU, 3.2 m *
OPTION	0	0 = Standard
MOTOR CABLE	A	A = 1000 mm C = 2000 mm E = 0500 mm B = 1550 mm D = 2500 mm F = 0800 mm
DESK PANEL	AA	A0 = No desk panel AB = DPB AD = DPG1K AF = DPG1M, Limited version AH = DPG1B, Limited version AJ = DPG1C, Full version, cm AL = DPG1C, Limited version, inch AN = DPF1M AP = DPF1D, inch AR = DPF1C, inch AT = DPF1C with sensor, inch AV = DPF1D with sensor, inch AY = DPI1C, cm AA = DPA AC = DPF1K with sensor AE = DPG1M, Full version AG = DPG1B, Full version AI = DPG1C, Full version, inch AK = DPF1K AM = DPG1C, Limited version, cm AO = DPF1D, cm AQ = DPF1C, cm AS = DPF1C with sensor, cm AU = DPF1D with sensor, cm AX = DPI1C, inch AZ = DPI1K
DPF BRACKET	0	0 = No bracket B = 90°
MOUNTING KIT	0	0 = No mounting kit 1 = Mounting kit (screws for all DPs)
TRIM RINGS	0	0 = None A = Grey B = Black D = White

**DLS6DL102FB0500645AAA0AAA000**

\* PVC free cables

## Technical data

### Performance curves

The following data is measured in connection with 2 or 3 lifting columns and control box CBD6S. The desk is driving upwards.



The curves below apply to a centrally placed load. With moment load, there will be increased friction in the columns, which will reduce the lifting force correspondingly.

#### EXPERIENCE columns (800 N; 30 mm spindle)

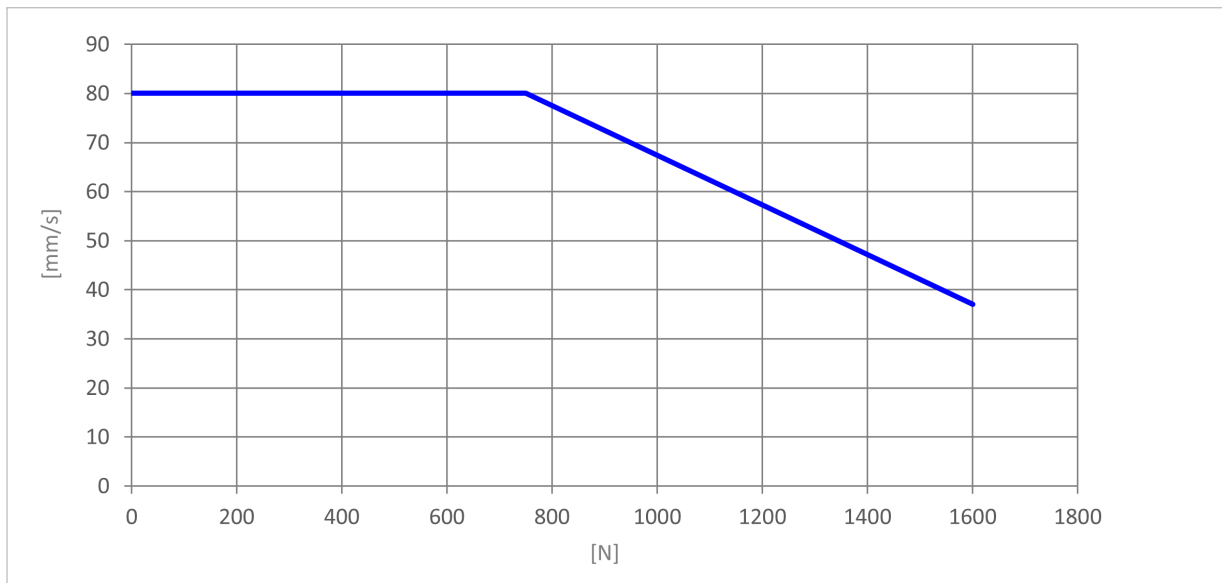


Figure 1 Two columns (equally loaded) - typical speed with CBD6S (230 V) 200 W

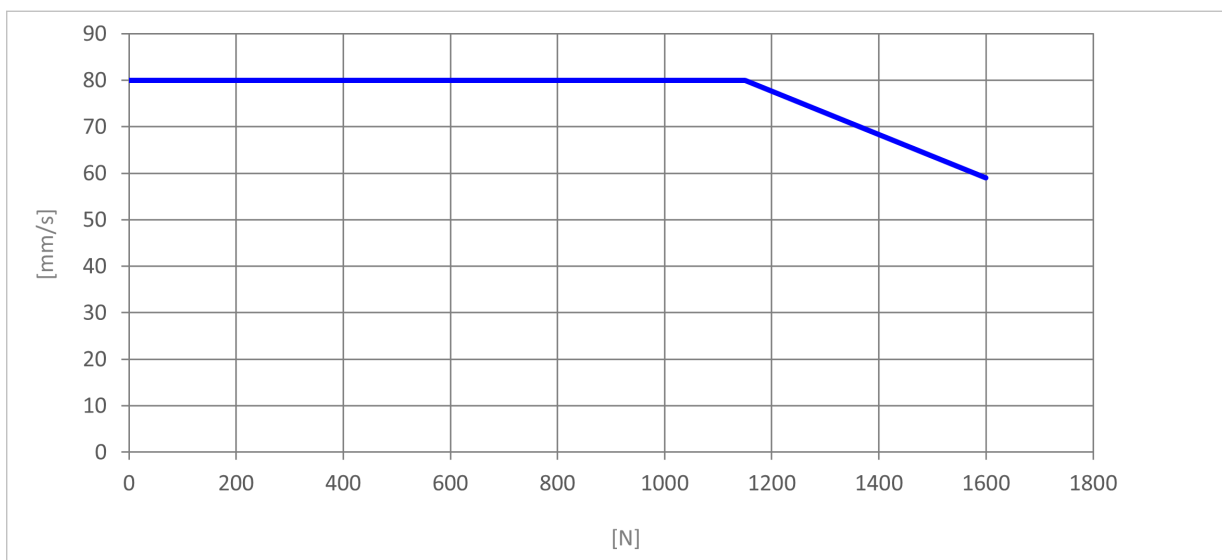


Figure 2 Two columns (equally loaded) - typical speed with CBD6S (230 V) 300 W

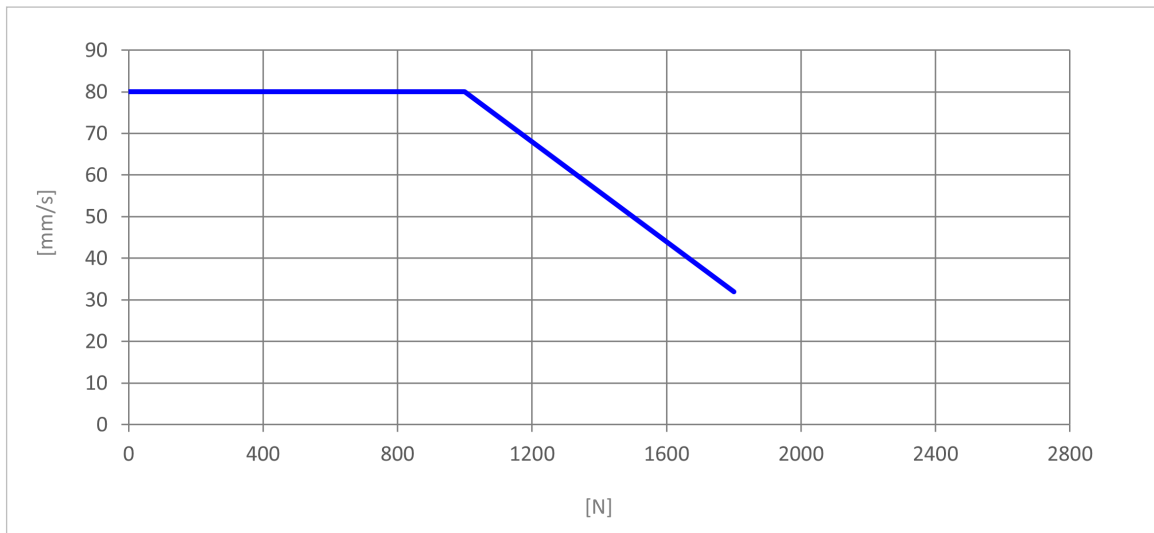


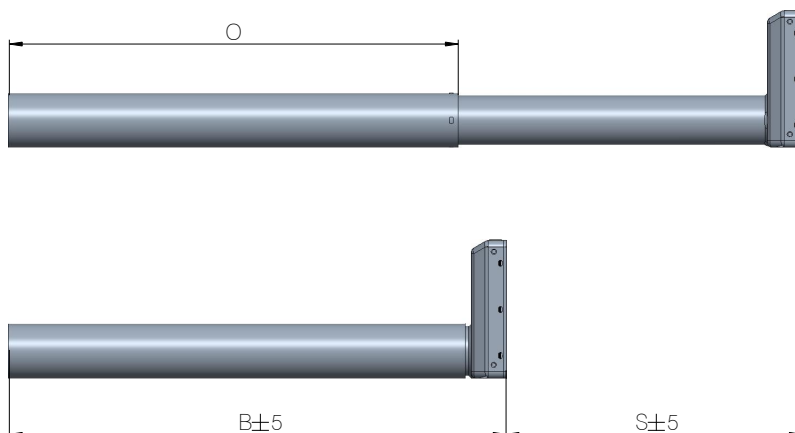
Figure 3 Three columns (equally loaded) - typical speed with CBD6S (230 V) 300 W

## Dimension drawings



All dimensions are in mm.

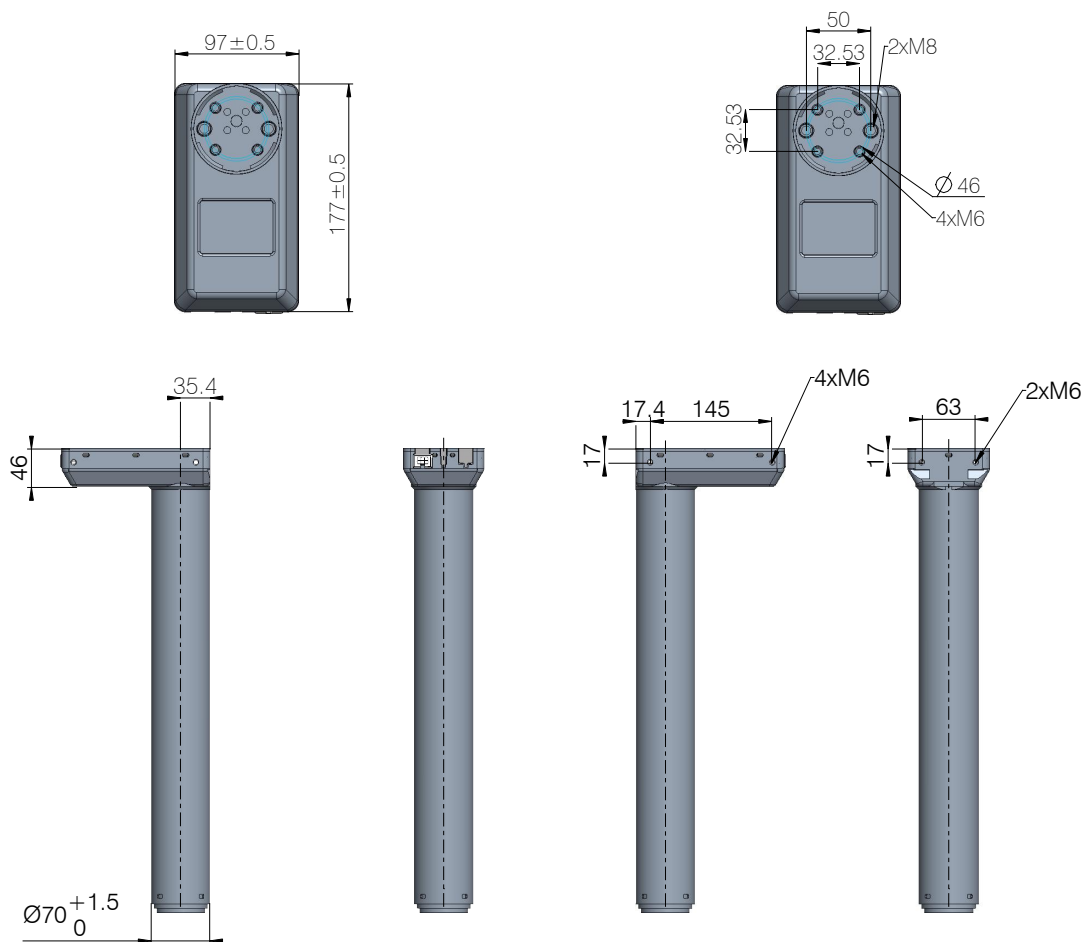
### Columns



Drawing no. 1040W7901

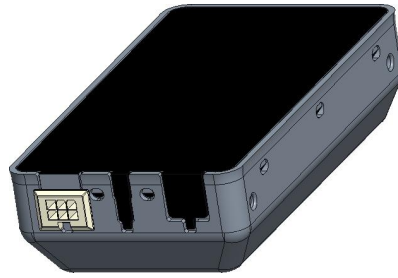
Version	Combination code	S (Stroke length)	B (Built-in length)	O (Outer profile length)
Standard	DL10FXXXXXXXXXXXXXXXXXX0500645	500	645	590

Figure 4 Built-in length, stroke length, and outer profile length



Drawing no. 1040W7901

Figure 5 Motor housing, bottom plate, and profile

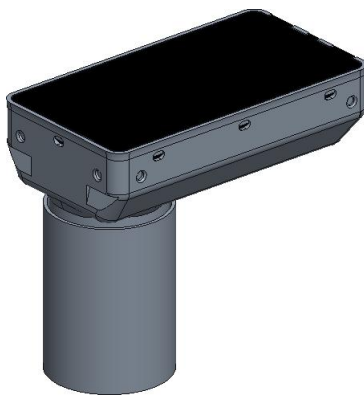


Standard

Drawing no. 1040W7901

Combination code	Type
DL10Fxxxxxxxxxxxxxxxxxxxxxxxx	Standard

Figure 6 Socket combination



Without trim ring



With trim ring

Drawing no. 1040W7901

Figure 7 Designs

# Contacts

## FACTORIES

Denmark - Headquarters  
LINAK A/S  
Phone: +45 73 15 15 15  
Fax: +45 74 45 80 48  
Fax (Sales): +45 73 15 16 13  
Web: www.linak.com

China  
LINAK (Shenzhen) Actuator Systems, Ltd.  
Phone: +86 755 8610 6656  
Phone: +86 755 8610 6990  
Web: www.linak.cn

Slovakia  
LINAK Slovakia s.r.o.  
Phone: +421 51 7563 444  
Web: www.linak.sk

Thailand  
LINAK APAC Ltd.  
Phone: +66 33 265 400  
Web: www.linak.com

USA  
LINAK U.S. Inc.  
Americas Headquarters  
Phone: +1 502 253 5595  
Fax: +1 502 253 5596  
Web: www.linak-us.com  
www.linak-latinamerica.com

## SUBSIDIARIES

Australia  
LINAK Australia Pty. Ltd  
Phone: +61 3 8796 9777  
Fax: +61 3 8796 9778  
E-mail: sales@linak.com.au  
Web: www.linak.com.au

Austria  
LINAK Zweigniederlassung - Österreich (Wien)  
Phone: +43 (1) 890 7446  
Fax: +43 (1) 890 744615  
E-mail: info@linak.de  
Web: www.linak.at - www.linak.hu

Belgium  
LINAK Actuator-Systems NV/SA  
(Belgium & Luxembourg)  
Phone: +32 (0)9 230 01 09  
E-mail: beinfo@linak.be  
Web: www.linak.be - www.fr.linak.be

Brazil  
LINAK Do Brasil Comércio De Atuadores Ltda.  
Phone: +55 (11) 2832 7070  
Fax: +55 (11) 2832 7060  
E-mail: info@linak.com.br  
Web: www.linak.com.br

Canada  
LINAK Canada Inc.  
Phone: +1 502 253 5595  
Fax: +1 416 255 7720  
E-mail: info@linak.ca  
Web: www.linak-us.com

Czech Republic  
LINAK C&S s.r.o.  
Phone: +42 058 174 1814  
Fax: +42 058 170 2452  
E-mail: info@linak.cz  
Web: www.linak.cz - www.linak.sk

Denmark - International  
LINAK International  
Phone: +45 73 15 15 15  
E-mail: info@linak.com  
Web: www.linak.com

Denmark - Sales  
LINAK Danmark A/S  
Phone: +45 86 80 36 11  
Fax: +45 86 82 90 51  
E-mail: linak@linak-silkeborg.dk  
Web: www.linak.dk

Finland  
LINAK OY  
Phone: +358 10 841 8700  
E-mail: linak@linak.fi  
Web: www.linak.fi

France  
LINAK France E.U.R.L.  
Phone: +33 (0) 2 41 36 34 34  
Fax: +33 (0) 2 41 36 35 00  
E-mail: linak@linak.fr  
Web: www.linak.fr

Germany  
LINAK GmbH  
Phone: +49 6043 9655 0  
Fax: +49 6043 9655 60  
E-mail: info@linak.de  
Web: www.linak.de

India  
LINAK A/S India Liaison Office  
Phone: +91 120 4531797  
Fax: +91 120 4786428  
E-mail: info@linak.in  
Web: www.linak.in

Ireland  
LINAK UK Limited (Ireland)  
Phone: +44 (0)121 544 2211  
Fax: +44 (0)121 544 2552  
+44 (0)796 855 1606 (UK Mobile)  
+35 387 634 6554 (Rep.of Ireland Mobile)  
E-mail: sales@linak.co.uk  
Web: www.linak.co.uk

Italy  
LINAK ITALIA S.r.l.  
Phone: +39 02 48 46 33 66  
Fax: +39 02 48 46 82 52  
E-mail: info@linak.it  
Web: www.linak.it

Japan  
LINAK K.K.  
Phone: 81-45-533-0802  
Fax: 81-45-533-0803  
E-mail: linak@linak.jp  
Web: www.linak.jp

Malaysia  
LINAK Actuators Sdn. Bhd.  
Phone: +60 4 210 6500  
Fax: +60 4 226 8901  
E-mail: info@linak-asia.com  
Web: www.linak.my

Netherlands  
LINAK Actuator-Systems B.V.  
Phone: +31 76 5 42 44 40 /  
+31 76 200 11 10  
E-mail: info@linak.nl  
Web: www.linak.nl

New Zealand  
LINAK New Zealand Ltd  
Phone: +64 9580 2071  
Fax: +64 9580 2072  
E-mail: nzsales@linak.com.au  
Web: www.linak.com.au

Norway  
LINAK Norge AS  
Phone: +47 32 82 90 90  
E-mail: info@linak.no  
Web: www.linak.no

Poland  
LINAK Polska  
LINAK Danmark A/S (Spółka Akcyjna)  
Phone: +48 22 295 09 70 /  
+48 22 295 09 71  
E-mail: info@linak.pl  
Web: www.linak.pl

Republic of Korea  
LINAK Korea Ltd.  
Phone: +82 2 6231 1515  
Fax: +82 2 6231 1516  
E-mail: info@linak.kr  
Web: www.linak.kr

Slovakia  
LINAK Slovakia S.R.O.  
Phone: +421 51 7563 444  
Web: www.linak.sk

Spain  
LINAK Actuadores, S.L.u  
Phone: +34 93 588 27 77  
Fax: +34 93 588 27 85  
E-mail: esma@linak.es  
Web: www.linak.es

Sweden  
LINAK Scandinavia AB  
Phone: +46 8 732 20 00  
Fax: +46 8 732 20 50  
E-mail: info@linak.se  
Web: www.linak.se

Switzerland  
LINAK AG  
Phone: +41 43 388 31 88  
E-mail: info@linak.ch  
Web: www.linak.ch - www.fr.linak.ch  
www.it.linak.ch

Taiwan  
LINAK (Shenzhen) Actuator systems Ltd.  
Taiwan Representative office  
Phone: +886 2 272 90068  
Fax: +886 2 272 90096  
E-mail: sales@linak.com.tw  
Web: www.linak.com.tw

Turkey  
LINAK İth. İhr. San. ve Tic. A.Ş.  
Phone: +90 312 4726338  
Fax: +90 312 4726635  
E-mail: info@linak.com.tr  
Web: www.linak.com.tr

United Kingdom  
LINAK UK Limited  
Phone: +44 (0)121 544 2211  
Fax: +44 (0)121 544 2552  
E-mail: sales@linak.co.uk  
Web: www.linak.co.uk

## DISTRIBUTORS

Argentina  
Novotec Argentina SRL  
Phone: 011-4303-8989 / 8900  
Fax: 011-4032-0184  
E-mail: info@novotecargentina.com  
Web: www.novotecargentina.com

Colombia  
MEM Ltda  
Phone: +[57] (1) 334-7666  
Fax: +[57] (1) 282-1684  
E-mail: servicioalcliente@memltda.com.co  
Web: www.mem.net.co

India  
Mechatronics Control Equipments India Pvt Ltd  
Phone: +91-44-28558484, 85  
E-mail: bala@mechatronicscontrol.com  
Web: www.mechatronicscontrol.com

Indonesia  
PT. Himalaya Everest Jaya  
Phone: +6 221 544 8956 /+6 221 544 8965  
Fax: +6 221 619 1925  
Fax (Sales): +6 221 619 4658  
E-mail: hejplastic-div@centrin.net.id  
Web: www.hej.co.id

Israel  
NetivTech LTD  
Phone: +972 55-2266-535  
Fax: +972 2-9900-560  
Email: info@NetivTech.com  
Web: www.netivtech.com

Singapore  
Servo Dynamics Pte Ltd  
Phone: +65 6844 0288  
Fax: +65 6844 0070  
E-mail: servodynamics@servo.com.sg

South Africa  
Industrial Specialised Applications CC  
Phone: +27 011 466 0346  
E-mail: gartht@isagroup.co.za  
Web: www.isaza.co.za

United Arab Emirates  
Mechatronics  
Phone: +971 4 267 4311  
Fax: +971 4 267 4312  
E-mail: mechtron@emirates.net.ae

## Terms of use

LINAK® takes great care in providing accurate and up-to-date information on its products. However, the user is responsible for determining the suitability of LINAK products for a specific application. Due to continual development, LINAK products are subject to frequent modifications and changes. LINAK reserves the rights to conduct modifications, updates, and changes without any prior notice. For the same reason, LINAK cannot guarantee the correctness and actual status of imprinted information on its products.

LINAK uses its best efforts to fulfil orders. However, for the reasons mentioned above, LINAK cannot guarantee availability of any particular product at any given time. LINAK reserves the right to discontinue the sale of any product displayed on its website or listed in its catalogues or in other written material created and produced by LINAK, LINAK subsidiaries, or LINAK affiliates. All sales are subject to the 'Standard Terms of Sale and Delivery for LINAK A/S' available on LINAK websites. LINAK and the LINAK logotype are registered trademarks of LINAK A/S. All rights reserved.