



DESKLIFT™ DL10
Data sheet

DESKLIFT™ DL10

The DESKLIFT™ DL10 is a round two-part column, which is perfect for a wide range of different desk applications, especially in the office area. The column is very sturdy for which reason a crossbar is not necessary. It is a cost-effective alternative to the DL11. The DL10 has a compact motor housing, which is almost invisible in the tabletop construction, and it can be used with the Kick & Click top frame. The DL10 column has the same outer dimensions and motor-housing mounting holes as the three-part DL11 column. Thus, they can be used in the same tabletop and table foot construction.

The DL10 is available in several standard colours to fit into a wide range of desk designs.

The DL10 product programme offers various options such as DL10 PLUSTM - a design-optimised version - optionally available with trim rings in black, grey or white for optimised appearance.

The DL10 system is controlled by the DESKLINE® control box (CBD). The control box ensures optimal parallel drive and a pleasantly low noise level. The DL10 can be used as a single column or with 2, 3 or 4 columns in parallel systems, or up to 16 columns in multi-parallel systems. A Desk Sensor™ 1 anticollision dongle can be plugged into the control box to limit material damage to a desk or an object in case a collision occurs during driving of the desk.



Features:

- Max. load: 800 N per column
- Max. speed: 38 mm/s unloaded
- Standard installation dimension: 645 mm
- Standard stroke length: 500 mm
- Weight: Approximately 6.5 kg per column
- Dimensions column: $\varnothing 70$ mm (outer profile), and $\varnothing 63.5$ mm (inner profile)
- Dimensions motor housing: 177 x 97 x 46 mm
- Bending moment: $M_y = \max. 150$ Nm dynamic
- Max. twisting moment: 200 Nm
- Colour: Available in black (RAL 9005), grey (RAL 9006) or white (RAL 9016)
- Hall sensor enabling parallel drive with the DESKLINE® control box
- Low noise level

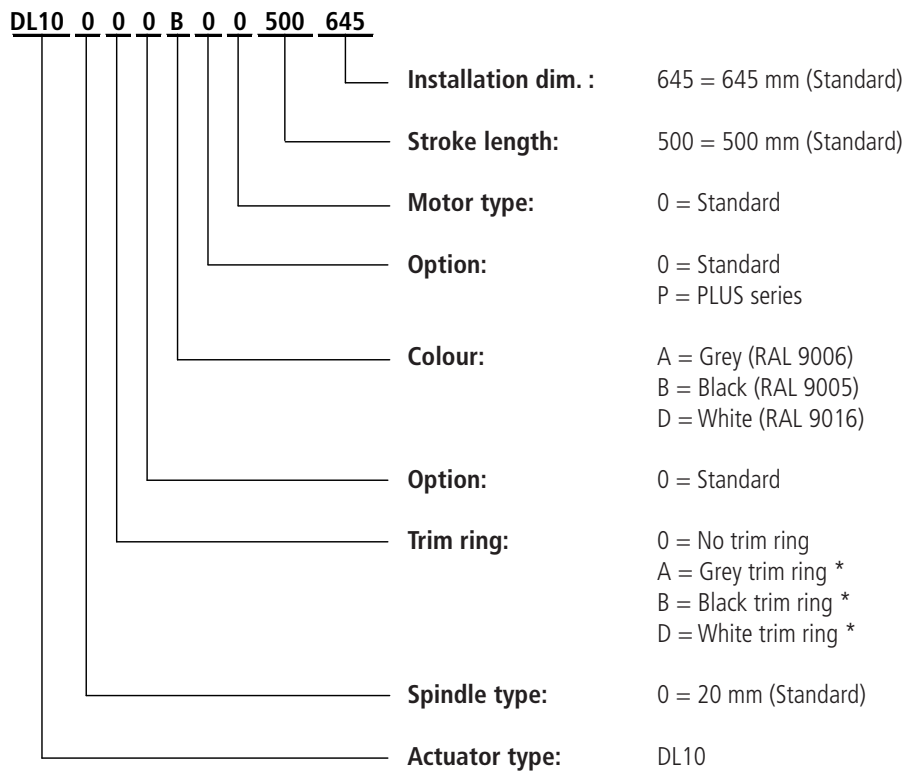
Options:

- PLUSTM:
 - No visible gliding pads
 - Available with trim rings in black, grey or white
- Available as DESKLIFT™ SetPack
- Customised colours

Usage:

- Single or 2, 3, or 4 parallel drive or even multi-parallel with up to 16 columns
- Duty cycle: 10 % \approx 2 minutes of continuous use at full load followed by 18 minutes pause
- For indoor use in dry locations
- Ambient temperature: 10 to 40 °C
- Storage and transportation temperature: -10 to + 70 °C
- Compatible with DESKLINE® control boxes and all DESKLINE® controls
- Compatible with the Kick & Click™ top frame
- Compatible with DESKLIFT™ Feet

Ordering example :



*: Not available in PLUS™ design

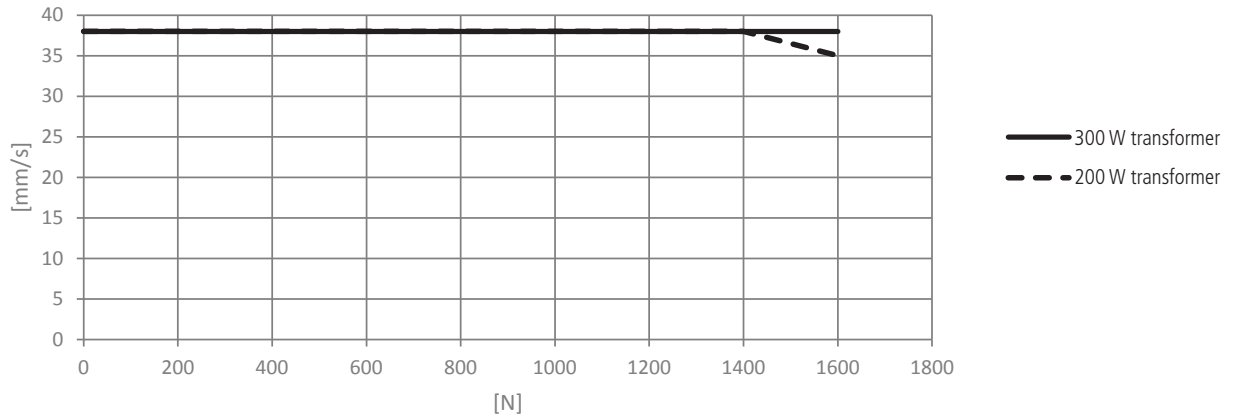


All cables for creating a fully connected DESKLINE® system must be ordered separately. We offer a range of different versions and lengths. To get information such as ordering number, colour and length of the cables, please contact your local LINAK.

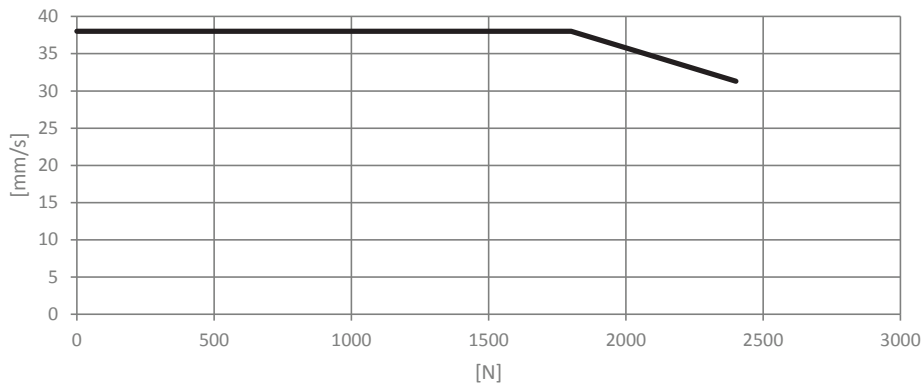
Performance curves

DL10 800 N (20 mm spindle) with CBD6S

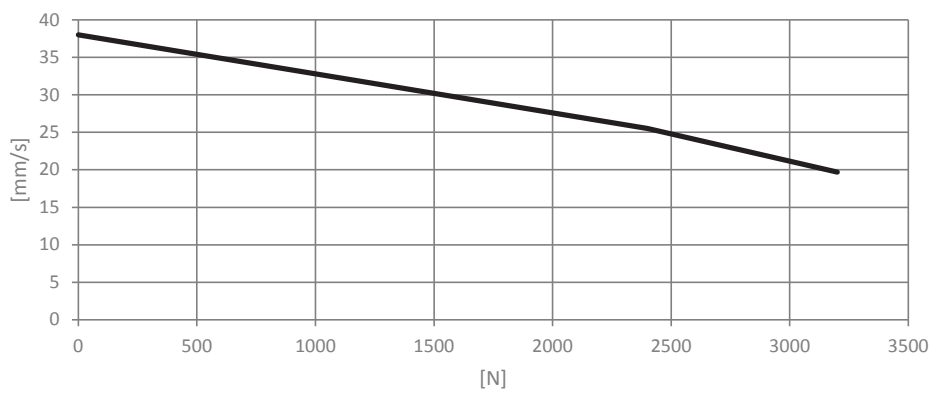
Two DL10 (equally loaded) with CBD6S



Three DL10 (equally loaded) with CBD6S



Four DL10 (equally loaded) with CBD6S



The data above are measured in connection with 2 to 4 DL10 lifting columns and Control Box CBD6S.
The desk is driving upwards.

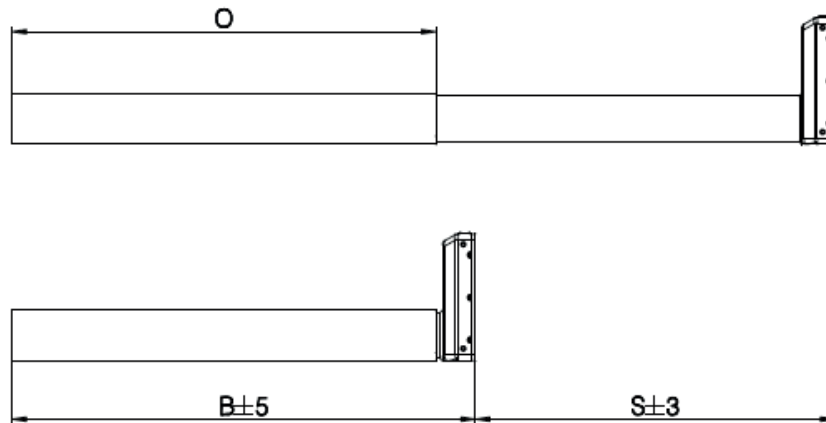


The curves above apply to a centrally placed load. With moment load, there will be increased friction in the columns, which will reduce the lifting force correspondingly.

Dimensional drawings

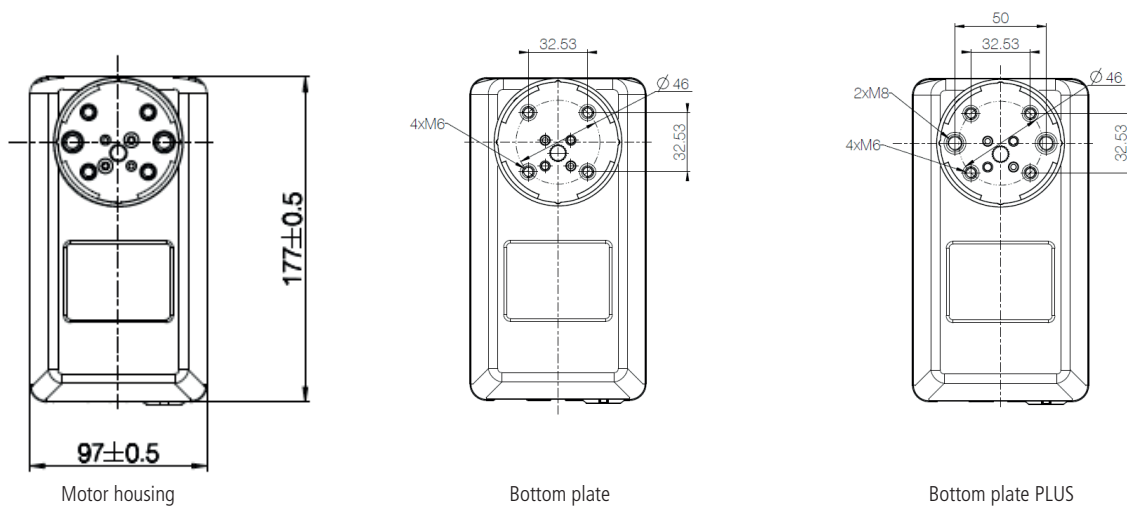


All measurements are without powder coating.



Version	Combination code	S (Stroke length) [mm]	B (Built-in length) [mm]	O (Outer profile length) [mm]
DL10	DL10xxxxx500645	500	645	590

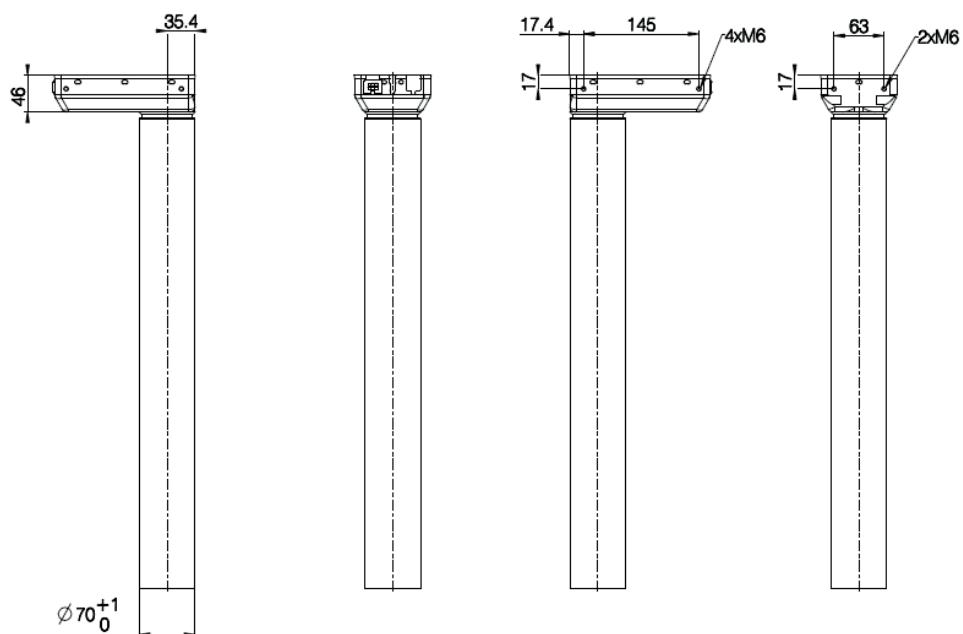
DL10 built-in length, stroke length, and outer profile length (mm)



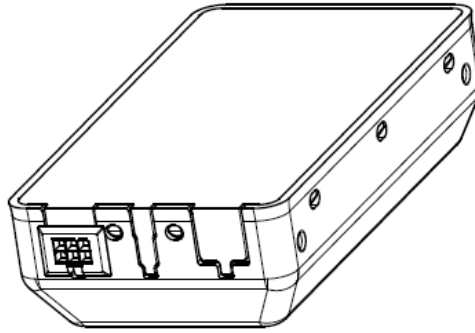
Motor housing

Bottom plate

Bottom plate PLUS



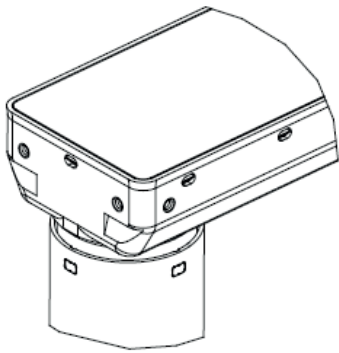
DL10 dimensions (mm)



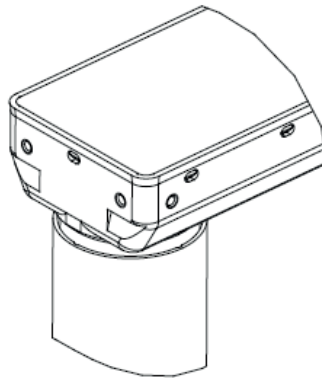
Standard

Combination code	Type
DL10xxxxxxxxxxx	Standard

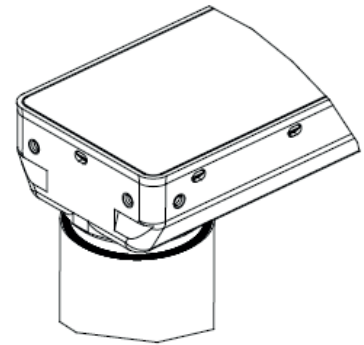
Socket combination



Standard



PLUS™ without trim ring



PLUS™ with trim ring

Profile designs

LINAK® accepts no responsibility for possible errors or inaccuracies in catalogues, brochures, and other material. LINAK reserves the right to change its products without prior notice. LINAK cannot guarantee product availability and reserves the right to discontinue the sale of any product. The user is responsible for determining the suitability of LINAK products for a specific application. All sales are subject to the 'Standard Terms of Sale and Delivery', available on LINAK websites.

LINAK and the LINAK logotype are registered trademarks of LINAK A/S. All rights reserved.