

TD5 Standard Data Sheet





The TWINDRIVE® TD5 is a dual actuator especially developed for box spring beds where a high force is required. With a force of 7000 N on both back and leg ends, the TD5 is the strongest dual actuator in the LINAK HOMELINE® portfolio. The TD5 Standard is for bed systems requiring back and leg adjustment and, at the same time, a range of contemporary features. The TD5 is lightweight and of slim design. As it is also easy to mount because of pictograms on the side and smart closing devices, the TD5 is optimal for shipping - even directly to the end user.

The TD5 Standard features:

- the well-known LINAK® ZERO™ technology, allowing a standby power of max. 0.1 W. This means the TD5 sleeps, when the user sleeps
- integrated Under Bed Light, which distributes the light evenly on the floor, allowing the user to find way in the dark
- integrated Bluetooth® Low Energy technology meaning that all wireless hand controls are compatible - alternatively, the Bed Control™ App can be downloaded to use a smartphone as handset offering the user even more valuable features
- mechanical emergency lowering via a hex key directly attached on the side of the TD5 – always in place when needed, e.g. in case of a power-out

The Bluetooth® word mark and logos are registered trademarks owned by Bluetooth SIG Inc. and any use of such marks and logos by LINAK A/S is under license.

Features/Usage

Features

- Mains voltage: 220-240 V
- Max. lifting capacity, backrest up to 7000 N
- Max. lifting capacity, leg rest up to 7000 N
- Bluetooth® built into the TD5
- Angle leg rest 45° ±3°
- Angle backrest 68° ±3°, 62° ±3°, 55° ±3°
- Installation dimension: 723 mm length x 105 mm height x 76 mm width
- Installation dimension on the shaft 581±1 mm distance. Shaft: Ø25.3 (+0.3/-0.2) mm
- Colour: Black (RAL 9005)
- Control box integrated in the housing of the actuator
- The power consumption in standby mode is only 0.1 W, this is what we call ZERO™
- Two internal channels
- Under Bed Light
- Mechanical emergency lowering
- Cable strain relief
- Pleasant noise level (sound power level: $L_w \leq 48$ dB(A))
- PVC-Free™
- Designed with a soft start/stop function
- Protected against overload (EOP)
- Shuts down if abused

Usage:

- Compatible with HOMELINE® controls
- Compatible with LINAK Bed Control App (Android and iOS) via Bluetooth®
- Duty cycle: 10 % ≈ max. 1 minute at continuous use followed by 9 minutes pause
- For indoor use in dry locations

Parameter	Operation	Storage and transportation
Temperature	10 to 40 °C	-10 to +50 °C
Relative humidity	20% to 80% - non-condensing	20% to 80% - non-condensing
Atmospheric pressure	700 to 1060 hPa	700 to 1060 hPa
Altitude	Max. 2000 m	Max. 2000 m

- Complies with EN60335-1

Ordering

	TD5	
TYPE	1	1 = Standard
LIFTING CAPACITY	0	0 = Back rest 7000 N / Leg rest 7000 N
STANDARD	0	0 = Standard
EXTERNAL CHANNELS	0	0 = None
STANDARD	0	0 = Standard
COLOUR	B	B = Black
ANGLE BACK REST	68	68 = 68° 62 = 62° 55 = 55°
ANGLE LEG REST	45	45 = 45°
STANDARD	0	0 = Standard
STANDARD	0	0 = Standard

Selected item type: TD510000B684500

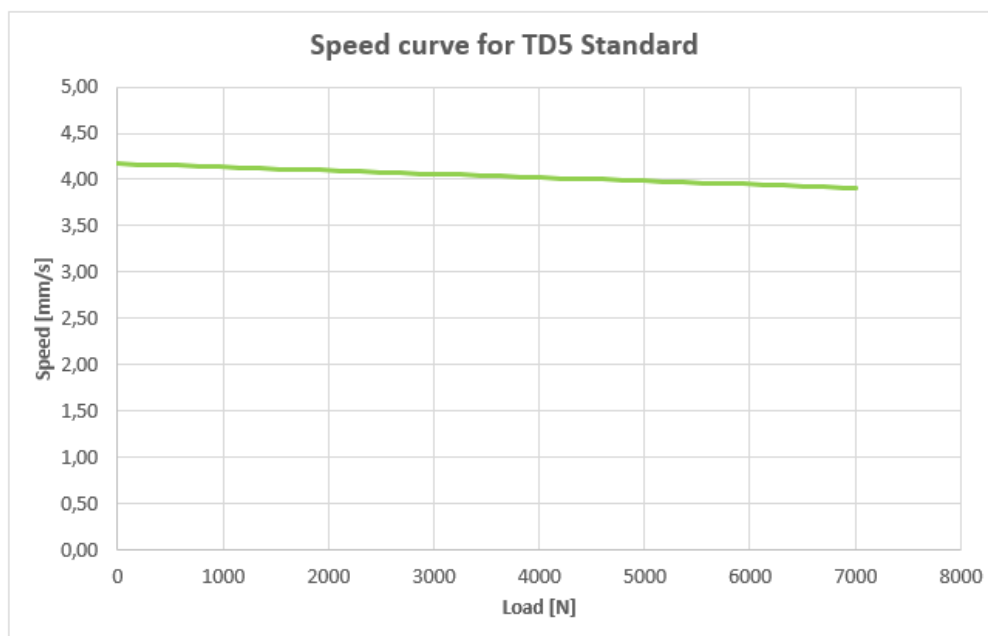


Mains cable, twist bracket, and controls must be ordered separately

Technical data

Product	Lifting capacity (max.)		Speed at no load [°/sec.]	Duty cycle [%]
	Backrest [N]	Leg rest [N]		
TD5 Standard	7000	7000	3.3	10

Speed curve



Dimension drawings

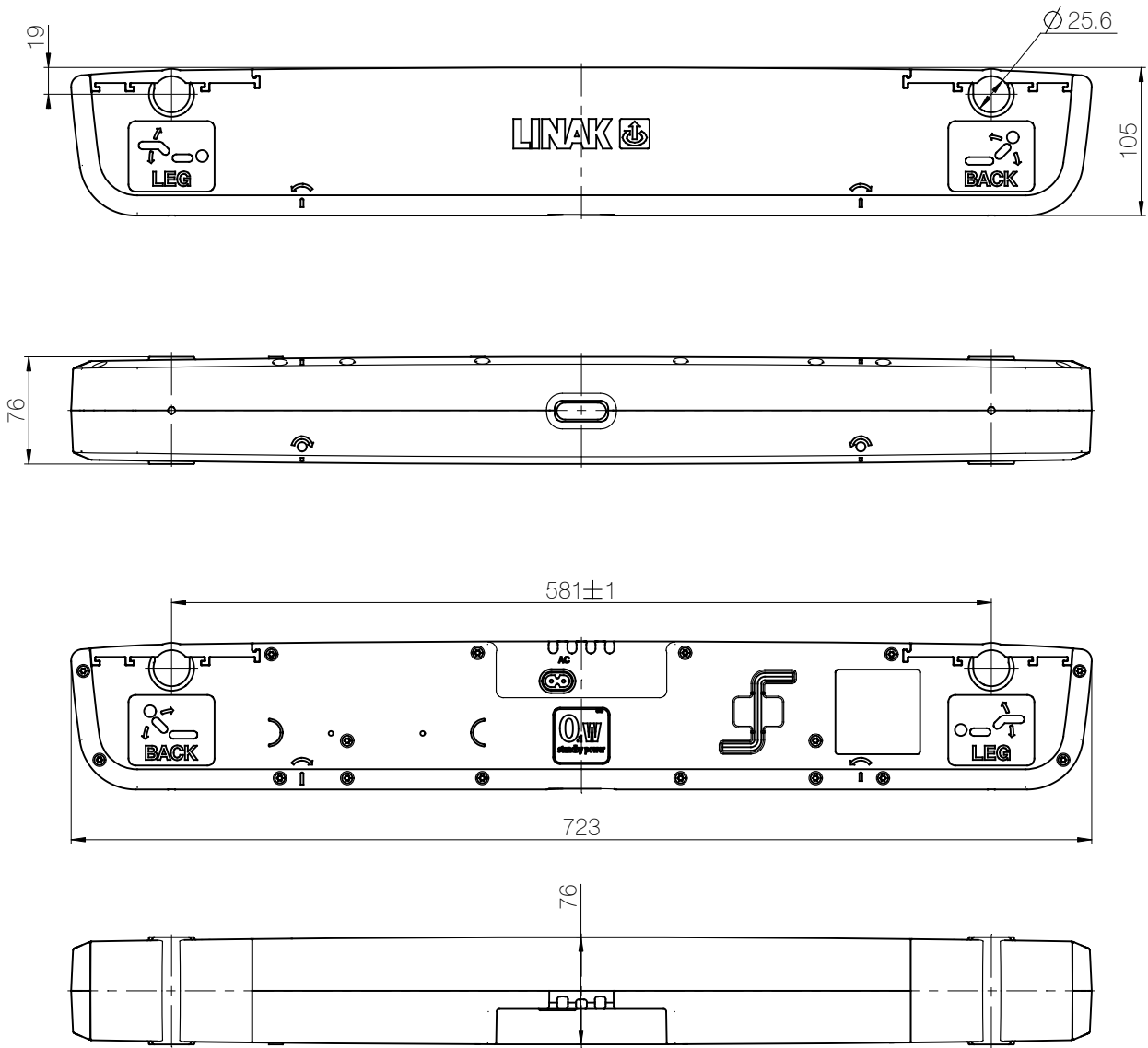


Figure 1 TWINDRIVE Standard dimensions (mm)

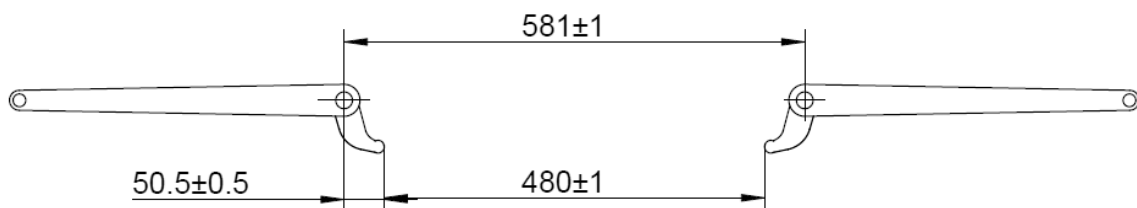


Figure 2 Shaft distance dimensions (mm)



The shaft diameter must be $\varnothing 25.2 (+0.3/-0.2)$ mm.

Features

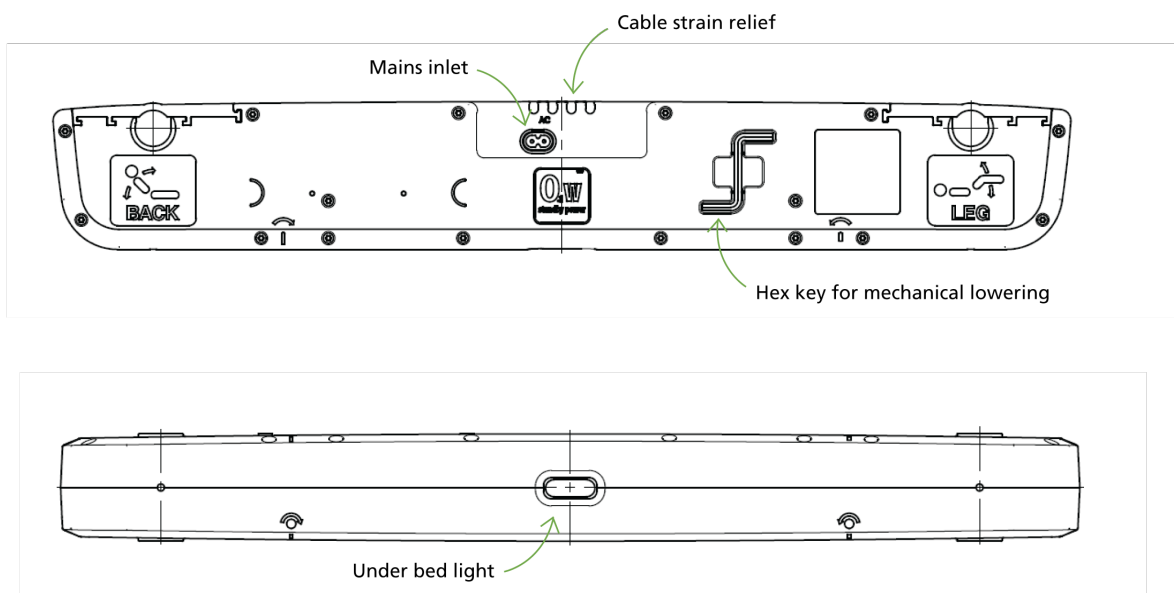


Figure 3 TWINDRIVE Standard features



Always use the cable strain relief for the mains cable on the TWINDRIVE to avoid pulling out the mains cable plug from the TWINDRIVE resulting in a malfunction.



Do not look directly into the light under the bed.



The default time-out for the Under Bed Light is 30 minutes.

Contacts

FACTORIES

Denmark - Headquarters
LINAK A/S
Phone: +45 73 15 15 15
Fax: +45 74 45 80 48
Fax (Sales): +45 73 15 16 13
Web: www.linak.com

China
LINAK (Shenzhen) Actuator Systems, Ltd.
Phone: +86 755 8610 6656
Phone: +86 755 8610 6990
Web: www.linak.cn

Slovakia
LINAK Slovakia s.r.o.
Phone: +421 51 7563 444
Web: www.linak.sk

Thailand
LINAK APAC Ltd.
Phone: +66 33 265 400
Web: www.linak.com

USA
LINAK U.S. Inc.
Americas Headquarters
Phone: +1 502 253 5595
Fax: +1 502 253 5596
Web: www.linak-us.com
www.linak-latinamerica.com

SUBSIDIARIES

Australia
LINAK Australia Pty. Ltd
Phone: +61 3 8796 9777
Fax: +61 3 8796 9778
E-mail: sales@linak.com.au
Web: www.linak.com.au

Austria
LINAK Zweigniederlassung - Österreich (Wien)
Phone: +43 (1) 890 7446
Fax: +43 (1) 890 744615
E-mail: info@linak.de
Web: www.linak.at - www.linak.hu

Belgium
LINAK Actuator-Systems NV/SA
(Belgium & Luxembourg)
Phone: +32 (0)9 230 01 09
E-mail: beinfo@linak.be
Web: www.linak.be - www.fr.linak.be

Brazil
LINAK Do Brasil Comércio De Atuadores Ltda.
Phone: +55 (11) 2832 7070
Fax: +55 (11) 2832 7060
E-mail: info@linak.com.br
Web: www.linak.com.br

Canada
LINAK Canada Inc.
Phone: +1 502 253 5595
Fax: +1 416 255 7720
E-mail: info@linak.ca
Web: www.linak-us.com

Czech Republic
LINAK C&S s.r.o.
Phone: +42 058 174 1814
Fax: +42 058 170 2452
E-mail: info@linak.cz
Web: www.linak.cz - www.linak.sk

Denmark - International
LINAK International
Phone: +45 73 15 15 15
E-mail: info@linak.com
Web: www.linak.com

Denmark - Sales
LINAK Danmark A/S
Phone: +45 86 80 36 11
Fax: +45 86 82 90 51
E-mail: linak@linak-silkeborg.dk
Web: www.linak.dk

Finland
LINAK OY
Phone: +358 10 841 8700
E-mail: linak@linak.fi
Web: www.linak.fi

France
LINAK France E.U.R.L.
Phone: +33 (0) 2 41 36 34 34
Fax: +33 (0) 2 41 36 35 00
E-mail: linak@linak.fr
Web: www.linak.fr

Germany
LINAK GmbH
Phone: +49 6043 9655 0
Fax: +49 6043 9655 60
E-mail: info@linak.de
Web: www.linak.de

India
LINAK A/S India Liaison Office
Phone: +91 120 4531797
Fax: +91 120 4786428
E-mail: info@linak.in
Web: www.linak.in

Ireland
LINAK UK Limited (Ireland)
Phone: +44 (0)121 544 2211
Fax: +44 (0)121 544 2552
+44 (0)796 855 1606 (UK Mobile)
+35 387 634 6554 (Rep.of Ireland Mobile)
E-mail: sales@linak.co.uk
Web: www.linak.co.uk

Italy
LINAK ITALIA S.r.l.
Phone: +39 02 48 46 33 66
Fax: +39 02 48 46 82 52
E-mail: info@linak.it
Web: www.linak.it

Japan
LINAK K.K.
Phone: 81-45-533-0802
Fax: 81-45-533-0803
E-mail: linak@linak.jp
Web: www.linak.jp

Malaysia
LINAK Actuators Sdn. Bhd.
Phone: +60 4 210 6500
Fax: +60 4 226 8901
E-mail: info@linak-asia.com
Web: www.linak.my

Netherlands
LINAK Actuator-Systems B.V.
Phone: +31 76 5 42 44 40 /
+31 76 200 11 10
E-mail: info@linak.nl
Web: www.linak.nl

New Zealand
LINAK New Zealand Ltd
Phone: +64 9580 2071
Fax: +64 9580 2072
E-mail: nzsales@linak.com.au
Web: www.linak.com.au

Norway
LINAK Norge AS
Phone: +47 32 82 90 90
E-mail: info@linak.no
Web: www.linak.no

Poland
LINAK Polska
LINAK Danmark A/S (Spółka Akcyjna)
Phone: +48 22 295 09 70 /
+48 22 295 09 71
E-mail: info@linak.pl
Web: www.linak.pl

Republic of Korea
LINAK Korea Ltd.
Phone: +82 2 6231 1515
Fax: +82 2 6231 1516
E-mail: info@linak.kr
Web: www.linak.kr

Slovakia
LINAK Slovakia S.R.O.
Phone: +421 51 7563 444
Web: www.linak.sk

Spain
LINAK Actuadores, S.L.u
Phone: +34 93 588 27 77
Fax: +34 93 588 27 85
E-mail: esma@linak.es
Web: www.linak.es

Sweden
LINAK Scandinavia AB
Phone: +46 8 732 20 00
Fax: +46 8 732 20 50
E-mail: info@linak.se
Web: www.linak.se

Switzerland
LINAK AG
Phone: +41 43 388 31 88
Fax: +41 43 388 31 87
E-mail: info@linak.ch
Web: www.linak.ch - www.fr.linak.ch
www.it.linak.ch

Taiwan
LINAK (Shenzhen) Actuator systems Ltd.
Taiwan Representative office
Phone: +886 2 272 90068
Fax: +886 2 272 90096
E-mail: sales@linak.com.tw
Web: www.linak.com.tw

Turkey
LINAK İth. İhr. San. ve Tic. A.Ş.
Phone: +90 312 4726338
Fax: +90 312 4726635
E-mail: info@linak.com.tr
Web: www.linak.com.tr

United Kingdom
LINAK UK Limited
Phone: +44 (0)121 544 2211
Fax: +44 (0)121 544 2552
E-mail: sales@linak.co.uk
Web: www.linak.co.uk

DISTRIBUTORS

Argentina
Novotec Argentina SRL
Phone: 011-4303-8989 / 8900
Fax: 011-4032-0184
E-mail: info@novotecargentina.com
Web: www.novotecargentina.com

Colombia
MEM Ltda
Phone: +[57] (1) 334-7666
Fax: +[57] (1) 282-1684
E-mail: servicioalcliente@memlda.com.co
Web: www.mem.net.co

India
Mechatronics Control Equipments India Pvt Ltd
Phone: +91-44-28558484, 85
E-mail: bala@mechatronicscontrol.com
Web: www.mechatronicscontrol.com

Indonesia
PT. Himalaya Everest Jaya
Phone: +6 221 544 8956 /+6 221 544 8965
Fax: +6 221 619 1925
Fax (Sales): +6 221 619 4658
E-mail: hejplastic-div@centrin.net.id
Web: www.hej.co.id

Israel
NetivTech LTD
Phone: +972 55-2266-535
Fax: +972 2-9900-560
Email: info@NetivTech.com
Web: www.netivtech.com

Singapore
Servo Dynamics Pte Ltd
Phone: +65 6844 0288
Fax: +65 6844 0070
E-mail: servodynamics@servo.com.sg

South Africa
Industrial Specialised Applications CC
Phone: +27 011 466 0346
E-mail: gartht@isagroup.co.za
Web: www.isaza.co.za

United Arab Emirates
Mechatronics
Phone: +971 4 267 4311
Fax: +971 4 267 4312
E-mail: mechtron@emirates.net.ae

Terms of use

LINAK® takes great care in providing accurate and up-to-date information on its products. However, the user is responsible for determining the suitability of LINAK products for a specific application. Due to continual development, LINAK products are subject to frequent modifications and changes. LINAK reserves the rights to conduct modifications, updates, and changes without any prior notice. For the same reason, LINAK cannot guarantee the correctness and actual status of imprinted information on its products.

LINAK uses its best efforts to fulfil orders. However, for the reasons mentioned above, LINAK cannot guarantee availability of any particular product at any given time. LINAK reserves the right to discontinue the sale of any product displayed on its website or listed in its catalogues or in other written material created and produced by LINAK, LINAK subsidiaries, or LINAK affiliates. All sales are subject to the 'Standard Terms of Sale and Delivery for LINAK A/S' available on LINAK websites. LINAK and the LINAK logotype are registered trademarks of LINAK A/S. All rights reserved.



WE IMPROVE YOUR LIFE