

Desk Frame 3 (DF3) Data Sheet



Contents

Features/Options/Usage	4
Features.....	4
Usage.....	6
Ordering.....	7
Beam.....	7
Set-packed	7
Columns.....	8
Set-packed	8
Bulk	9
Accessories.....	10
Set-packed	10
Bulk	10
Feet.....	11
Delivery options.....	12
Set-packed delivery	12
Bulk delivery	13
Technical data.....	14
Dimension drawings	16
Overview	16
Dimension tables.....	17



The Desk Frame 3 (DF3) is a complete 2-legged frame from LINAK® developed with focus on simple and intuitive assembly. It is evolved around a top frame called the beam. The beam contains all electronics including the motor and all cable wiring.

The DF3 frame is available in various 2-legged frame configurations from simple frames to frames featuring the Internal Desk Sensor (IDS), an anti-collision technology which ensures that collisions with obstacles do not damage the furniture, as well as the possibility to connect desk panels with display and memory.

The lifting columns have no visible gliding pads and no punch holes in the profiles and are available in various designs and as two-part or three-part columns.

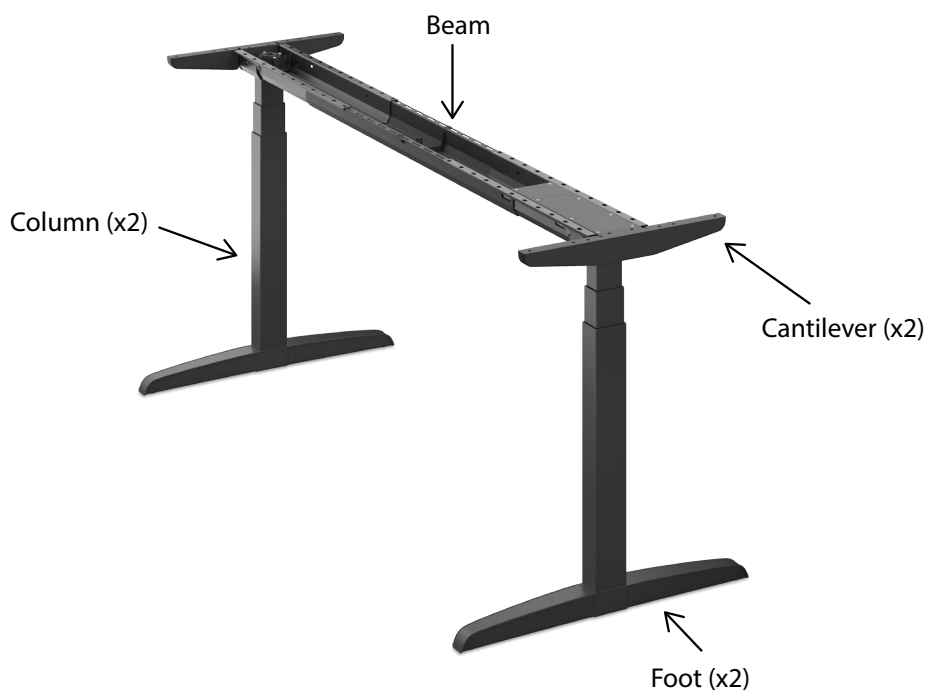


Figure 1 DF3 part names

Features/Options/Usage

Features

Beam

- Contains the motor and all electronics
- Colours: black (RAL 9005), grey (RAL 9006) or white (RAL 9016)
- A telescopic solution (adjustable in 25 mm steps)
 - fits table lengths 1200 mm to 1800 mm
- Oval holes ensure flexibility as regards pre-drilling holes in tabletop
- Available in two versions:
 - LINbus (supports all desk panel types and features such as memory positions and anti-collision)
 - Matrix (supports desk panels with up/down drive)
- LINbus versions feature IDS (Integrated Desk Sensor - anti-collision technology)
- Mains voltage:
 - 230-240 V AC, 50-60 Hz
 - 100-120 V AC, 50-60 Hz (120 V (US / Canada); 100 V (Japan))
- ZERO™ power: low standby power consumption – only 0.1 W

Columns

- PLUS™ design (no visible gliding pads)
- Easy mounting - click the column onto the beam and fixate it with 2 screws
- Max. speed 38 mm/s unloaded
- Column dimensions:

Profile	Type	Built-in length	Stroke length
50 x 80 mm	Two-part	602	500
	Three-part	517	650
		475 (BIFMA)	665 (BIFMA)
70 x 70 mm	Two-part	602	500
	Three-part	517	650
50 x 70 mm	Three-part	517	650

See also [Dimension drawings](#).

- Lifting force/self-lock (per frame; load - including tabletop - equally distributed)

Column	Lifting force (N)	Self-lock (N)	Bending moment
Two-part	1000	1000	Max. 200 Nm dynamic
Three-part	1600 (230-240 V and 120 V) 1400 (100 V)	1200	Max. 200 Nm dynamic

- Available in black (RAL 9005), grey (RAL 9006) or white (RAL 9016)

Cantilevers

- Length: 452.5 mm
- Available for T-desk designs
- Material: Polymer (PP)
- Available in black (RAL 9005), grey (RAL 9006) or white (RAL 9016)

Desk panels

For LINbus beam

With display	Up/down	Up/down with memory
<ul style="list-style-type: none"> • DPF1C • DPG1C • DPF1D 	<ul style="list-style-type: none"> • DPA • DPB • DPF1K • DPG1K 	<ul style="list-style-type: none"> • DPF1M

For matrix beam

Up/down	Up/down with memory
<ul style="list-style-type: none"> • DPA • DPB • DPF1K • DPG1K 	<ul style="list-style-type: none"> • DPF1M

Feet

- Metal feet
Two lengths (560 mm and 710 mm)
Mounting options:
 - On top
 - Recessed (only columns with 50 x 80 mm profiles)
 Available in black (RAL 9005), grey (RAL 9006) or white (RAL 9016)
- Composite feet (compatible with DF2L05, DF2L06, and DF2L23)
Length: 650 mm
Mounting option:
 - On top
 Available in black

Mounting kit

- 16 mounting screws for the beam and the cables (4.5 x 20 mm) - suitable for 25 mm tabletops
- 12 mounting screws for the cantilevers (4.5 x 35 mm)
- 2 mounting screws for the desk panel (4.0 x 20 mm for DPA, DPB, and DPF; or 4.0 x 35 for DPG)
- 3 cable clamps (Ø6.6 mm)
- 4 mounting screws for the columns (M6 x 20 mm) (blank or black)

Usage

- Can be used for T-desks (central placement of columns)
- Duty cycle: 5% ~ max. 1 minute continuous use at full load, followed by 19 minutes pause
- For indoor use in dry locations

Parameter	Operation	Storage and transportation
Temperature	10 to 40 °C	-10 to +50 °C
Relative humidity	20% to 80% - non-condensing	20% to 80% - non-condensing
Atmospheric pressure	800 to 1060 hPa	700 to 1060 hPa
Altitude	Max. 2000 m	N/A

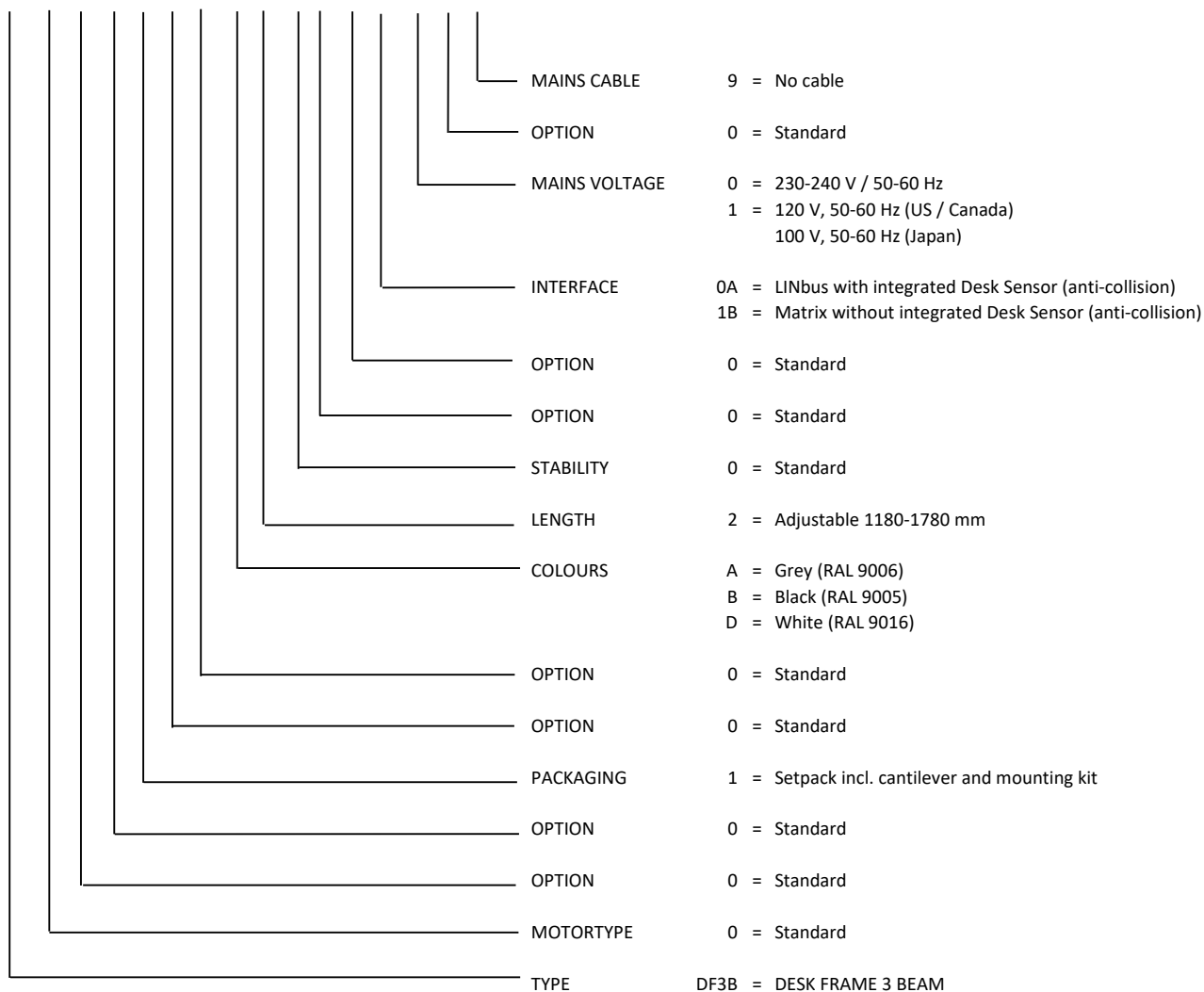
- Approved in accordance with:
 - EN IEC 60335-1 Household Appliances and Similar Electrical Devices- Safety – Part 1: General Requirements
 - EN527-1:2011 Office furniture – Work tables and desks – Part 1: Dimensions
 - EN527-2:2016+A1:2019 Office furniture – work tables – Part 2: Safety , strength and durability requirements
- Meets ANSI/BIFMA X5.5:2014 (up to 1829 mm (72"))
- UL-listed in accordance with:
 - UL962 - Standard for Household and Commercial Furnishings 5th edition
 - CSA C22.2 No.68-18 - Motor Operated Appliances (Household and Commercial) 8th Edition

Ordering

Beam

Set-packed

DF3B 0 0 0 1 0 0 A 2 0 0 0 0A 0 0 9



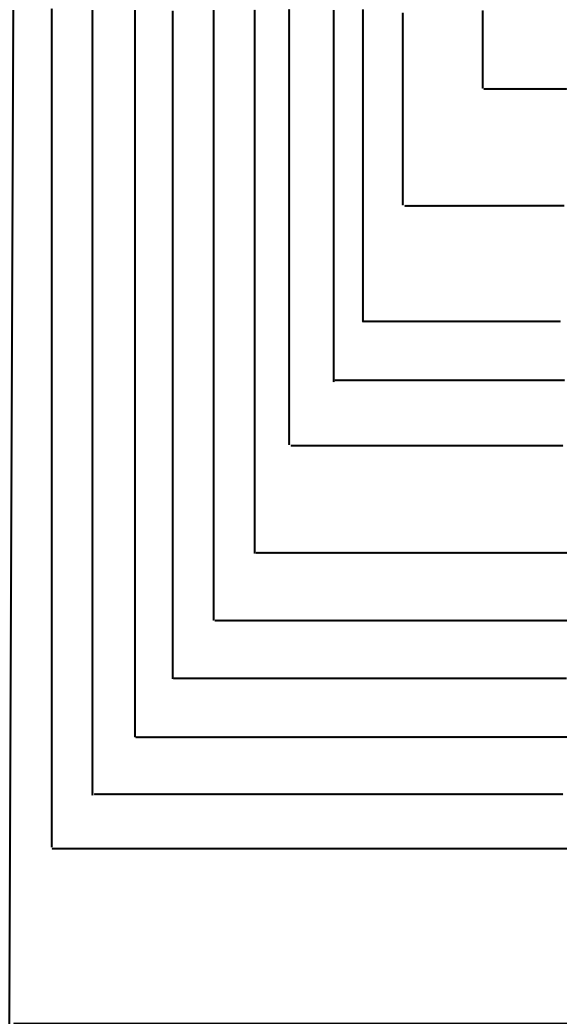
Columns



A column in BIFMA version is less stable in full stroke length compared to a standard column as it has less overlap between the profiles.

Set-packed

DF2LS 06 0 0 0 0 0 A P 0 650 517



INSTALLATION DIM.	517 = 517 mm (3-part) 475 = 475 mm (3-part BIFMA) 601 = 601 mm (2-part)
STROKE LENGTH	650 = 650 mm (3-part) 665 = 665 mm (3-part BIFMA) 500 = 500 mm (2-part)
OPTION	0 = Standard
DESIGN	P = PLUS series
COLOUR	A = Grey (RAL 9006) B = Black (RAL 9005) D = White (RAL 9016)
OPTION	0 = Standard
OPTION	0 = Standard
OPTION	0 = Standard
OPTION	0 = Standard
SPINDLE TYPE	0 = 20 mm
COLUMN TYPE	05 = 2-part 50 x 80 06 = 3-part 50 x 80 18 = 2-part 70 x 70 19 = 3-part 70 x 70 * 23 = 3-part 50 x 70 *
TYPE	DF2LS = DESK FRAME Legs (Set-packed)

* Only available in standard (EU) length

Accessories

Set-packed

The accessories set comprises a mains cable and a desk panel. A setpack with Desk Panel DPF includes a 90° bracket (article number 914759).

Bulk



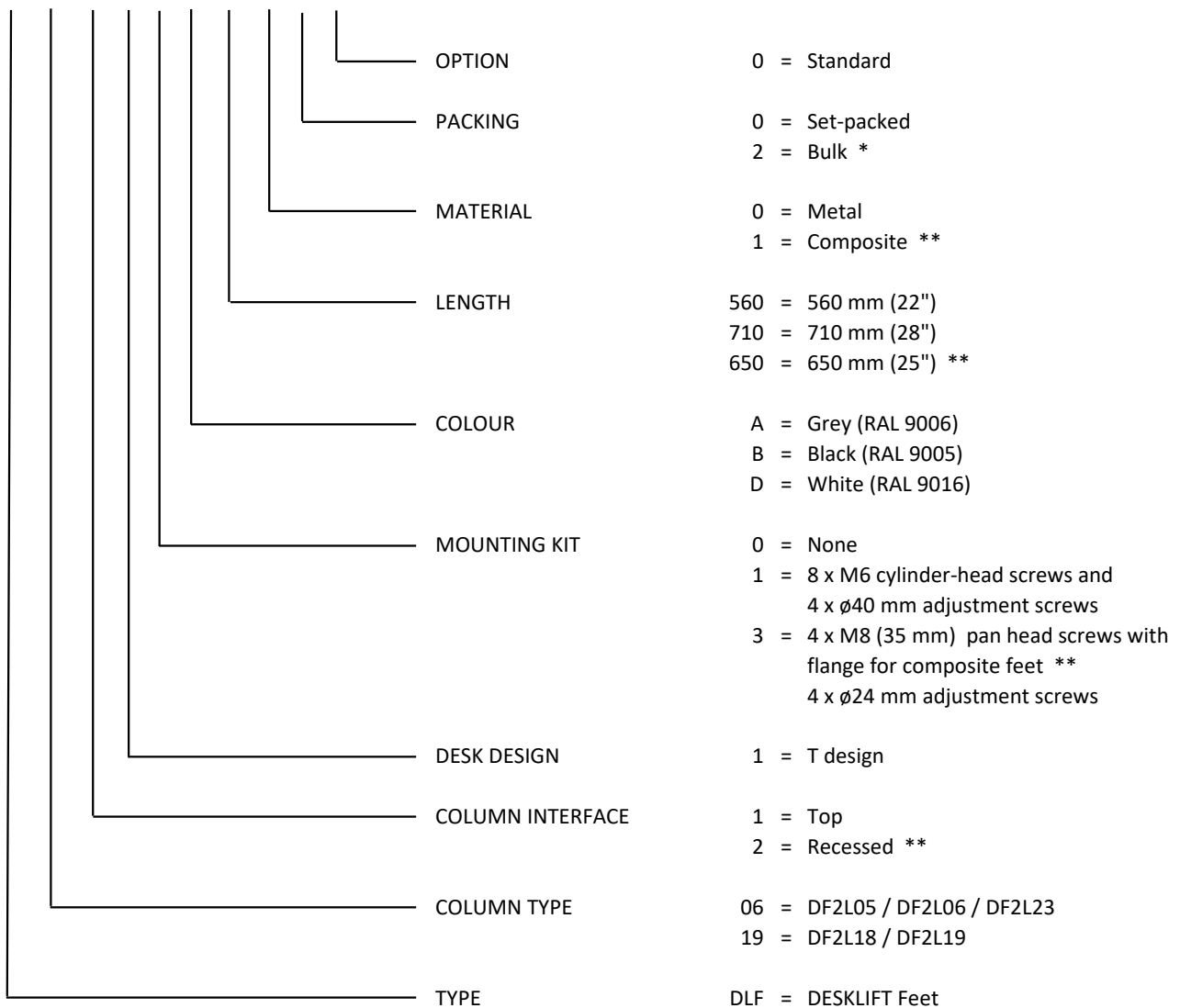
For bulk ordering, order mains cable and desk panel separately.
If Desk Panel DPF is ordered, remember to order the 90° bracket (article number 914759).

Desk panel overview

Desk panel	Item number	Description	Colour	Bracket	LINbus compatible	Matrix compatible
DPA	DPAK06	Up / down	Grey (RAL 7016)	No	Yes	Yes
DPB	DPBK06	Up / down	Grey (RAL 7016)	No	Yes	Yes
DPF1K	DPF1K00-010006	Up / down	Black (RAL 9005)	Yes	Yes	Yes
DPF1M	DPF1M00-010006	Up / down Memory	Black (RAL 9005)	Yes	Yes	Yes
DPF1C (cm)	DPF1C00-012006	Up / down Memory Display	Black (RAL 9005)	Yes	Yes	No
DPF1C (inch)	DPF1C00-012016	Up / down Memory Display	Black (RAL 9005)	Yes	Yes	No
DPF1D (cm)	DPF1D00-012006	Up / down Display	Black (RAL 9005)	Yes	Yes	No
DPF1D (inch)	DPF1D00-012016	Up / down Display	Black (RAL 9005)	Yes	Yes	No
DPG1K	DPG1K00-000006	Up / down	Black (RAL 9005)	No	Yes	Yes
DPG1C (full version; cm)	DPG1C32-000006	Up / down Memory Display	Black (RAL 9005)	No	Yes	No
DPG1C (full version, inch)	DPG1C32-000016	Up / down Memory Display	Black (RAL 9005)	No	Yes	No
DPG1C (limited version; cm)	DPG1C02-000006	Up / down Memory Display	Black (RAL 9005)	No	Yes	No
DPG1C (limited version, inch)	DPG1C02-000016	Up / down Memory Display	Black (RAL 9005)	No	Yes	No

Feet

DLF 06 1 1 0 B 710 0 0 0



* For bulk deliveries, always combine with 'MOUNTING KIT' option '0'

** Only in combination with 'COLUMN TYPE' options 06

Accessories for metal feet (only relevant for bulk orders)

Product	Item number	Description	Units needed per desk	Amount (per bag)
Mounting screws	SA1037W9901	M6 x 16 mm	8	500
Adjustment screws	SA1037W9902	M8 x 18 mm (ø40 mm)	4	800

Accessories for composite feet (only relevant for bulk orders)

Product	Item number	Description	Units needed per desk	Amount (per bag)
Mounting screws	SA1037W1906	M8 x 40 mm	8	200
Adjustment screws	SA1037W1901	M8 x 18 mm (ø24 mm)	4	1000

Delivery options

Set-packed delivery

One delivery option is the set-packed delivery where the individual parts are packed in sets of four boxes for one desk.

The set-packed solution simplifies logistics at the OEM end, making it easy to select the right components for the desk and ensuring that all parts are included.

Set-packed parts

- Beam (including cantilevers and screw kit)
- Columns
- Feet
- Accessories (desk panel and cable)

Bulk delivery

Most parts can be delivered as bulk, where the parts are delivered packed individually. Order in multiples of MOQ.

Bulk parts

- Columns
- Feet
- Desk panel
- Cable

Product	Minimum order quantity (MOQ)	Items per pallet
Columns	60	60
Feet	180	180

Weight

Item	Approx. weight per item [kg]
Beam (set-packed - including cantilevers and screw kit)	5,9
Column	
DF2L05	5.5
DF2L06	6.5
DL2L06 (BIFMA)	6.0
DF2L18	6.0
DF2L19	7.0
DF2L19 (BIFMA)	6.4
DF2L23	4.6
Foot	
DF2L05, DF2L06 columns, on top mounted, short	1.4
DF2L05, DF2L06 columns, on top mounted, long	1.8
DF2L18, DF2L19 columns, on top mounted, short	1.7
DF2L18, DF2L19 columns, on top mounted, long	2.1
DF2L05, DF2L06 columns, recessed mounted, short	1.8
DF2L05, DF2L06 columns, recessed mounted, long	2.3
DF2L05, DF2L06, DF2L23 columns, composite	0.7

A complete frame consists of:

- 1 x beam
- 2 x cantilever
- 2 x column
- 2 x foot
- 1 x desk panel
- Mounting kit for beam, columns and desk panel
- Screws for feet

The desk panel, mounting kit and screws weigh approximately 0.1 kg.

Technical data

Table size and type

The Desk Frame 3 is designed for T-desks and must be mounted centrally on the tabletop.



Recommended tabletop:

Material	Veneered chipboard (similar or better strength)
Thickness	Min 25 mm (1") - appropriate for the supplied mounting screws
Size	Min. 584 x 1180 mm (23 x 47")
	Max. 800 x 1829 mm (31.5 x 72")

As the outer rail is made of polymer, we highly recommend to mount the DF3 on a minimum 25 mm thick tabletop to ensure stability.

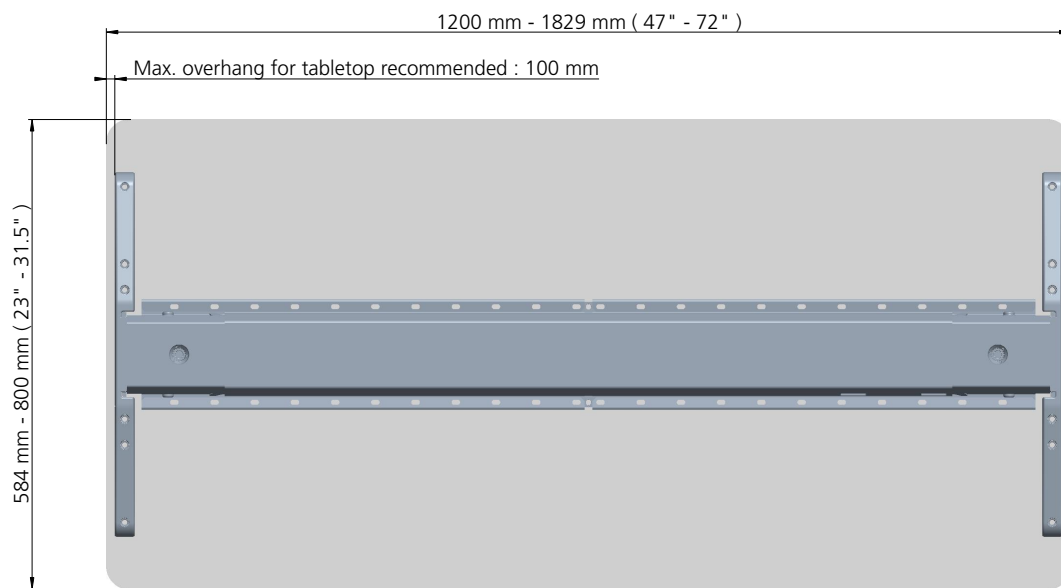


Figure 2 DF3 (standard) mounted centrally on the tabletop

Performance curves



The performance depends on the mains supply in the application.

The curve below show the performance of the desk frame with two 2-part columns (equally loaded).

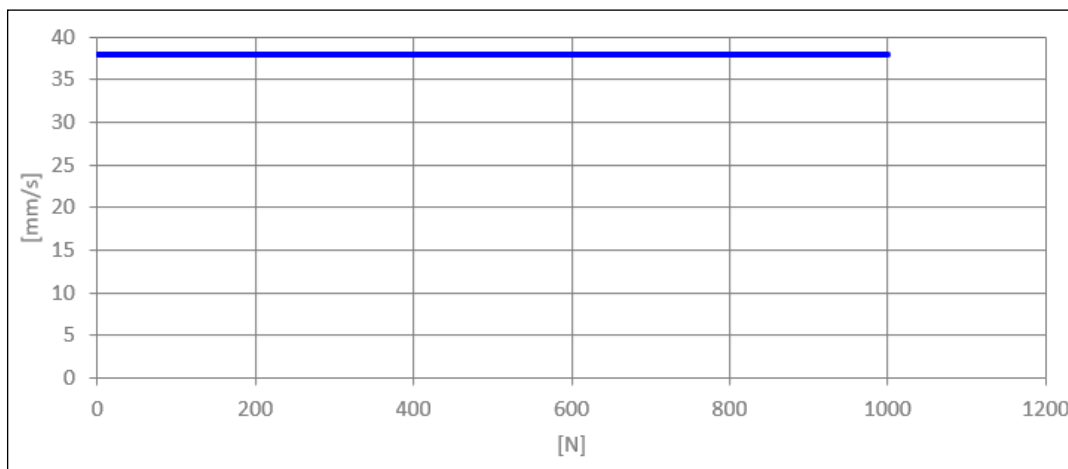


Figure 3 Mains: 230 V / 50 Hz or 120 V / 60 Hz or 100 V / 50 Hz

The curves below show the performance of the desk frame with two 3-part columns (equally loaded).

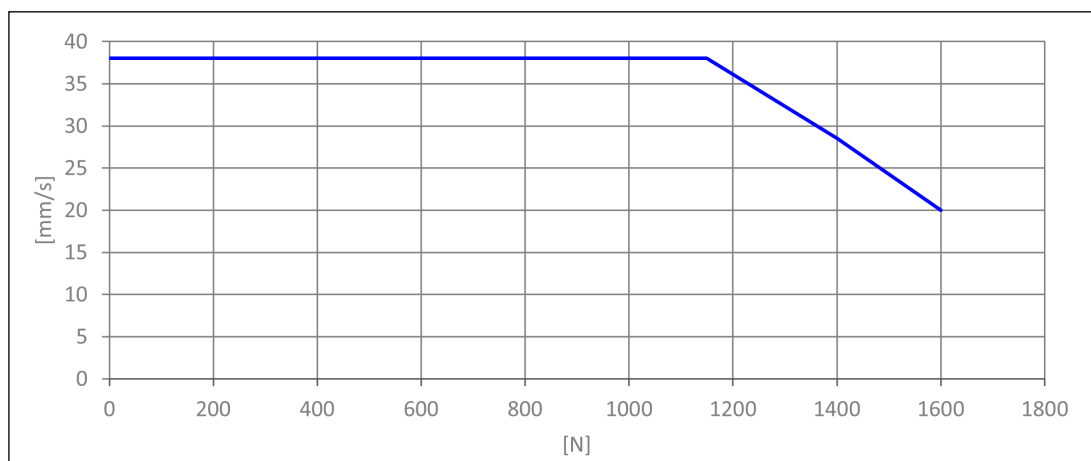


Figure 4 Mains: 230 V / 50 Hz or 120 V / 60 Hz

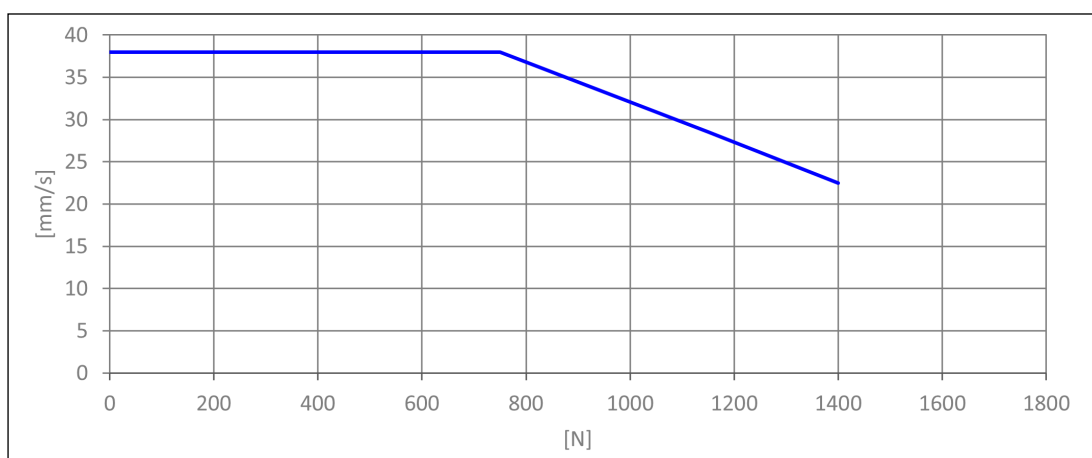
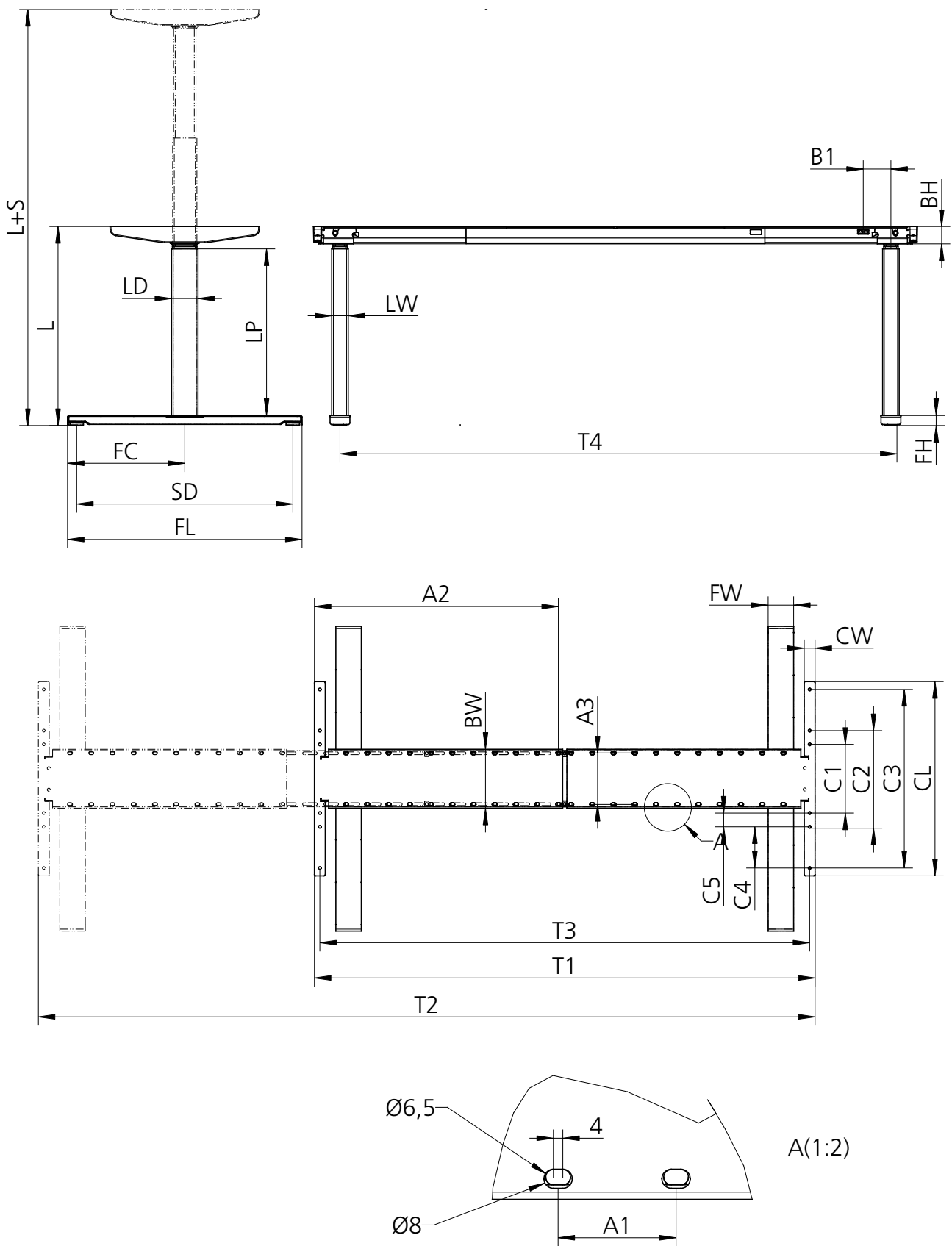


Figure 5 Mains: 100 V / 50 Hz

Dimension drawings

Overview



A(1:2)

Drawing no. 1074W4007

Figure 6 Desk Frame 3

For specifications, see the following tables.

Dimension tables



All dimensions are in mm.

Top frame

Legend	Description	Standard
T1	Length (completely retracted)	1179
T2	Length (completely extracted)	1780
T3	Distance between screw holes for cantilever (completely retracted beam)	1153
T4	Distance between centre of columns (completely retracted beam)	1018

Table 1 Top frame

Beam

Legend	Description	Standard
BH	Height	49
BW	Width	137
B1	Distance between column centre and centre of hole for RJ45 ports	66.7
A1	Distance between screw holes for beam (length)	50
A2	Distance between outside cantilever and centre of innermost screw hole	374.5
A3	Distance between screw holes for beam (width)	118.5

Table 2 Beam

Cantilevers

Legend	Description	T-desk
CL	Length	452.5
CH	Height	48.4
CW	Width	25.5
C1	Distance between inner screw holes	160
C2	Distance between middle screw holes	224
C3	Distance between outer screw holes	416
C4	Distance between outer and middle screw holes	96
C5	Distance between middle and inner screw holes	32

Table 3 Cantilevers

Columns

Legend	Description	DF2L05	DF2L06	DF2L06 (BIFMA)	DF2L18	DF2L19	DF2L23
L *	Length	707	622	563	707	622	622
S	Stroke	500	650	665	500	650	650
LP	Length of outer profile	590	498	456	590	498	498
LD	Depth	80	80	80	70	70	70
LW	Width	50	50	50	70	70	50

Table 4 Columns

- * *DL6 BIFMA: recessed foot*
The other columns: on top foot
The adjustment screw: minimum height

Feet



Recommended feet:

LINAK feet 560 mm (22") or 710 mm (28").

For tabletop depth greater than 760 mm (30"): Use 710 mm (28") feet.

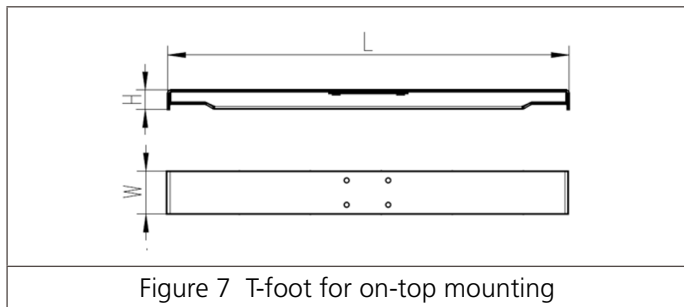


Figure 7 T-foot for on-top mounting

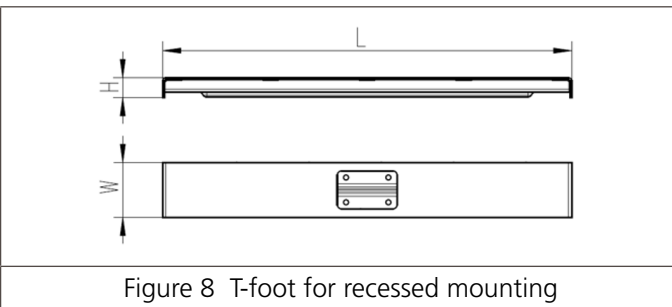


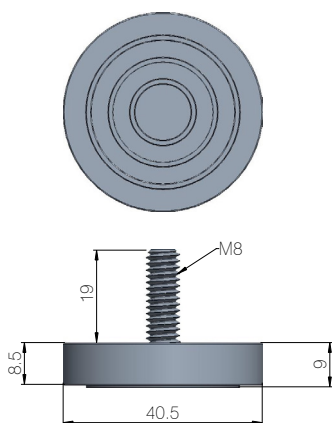
Figure 8 T-foot for recessed mounting

Legend	Description		On top	Recessed
FL	Length	Metal long	710	710
		Metal short	560	560
		Composite	650	N/A
FH	Height	Metal	30	30 (12.5*)
		Composite	56	N/A
FW	Width	DL5/DL6	60	75
		DL18/DL19	80	N/A
		Composite	52	N/A
FC	Distance from centre of column to front of foot	Metal long	T: 355 / C: 455	T: 355 / C: 455
		Metal short	T: 280 / C: 380	T: 280 / C: 380
		Composite	T: 325	N/A
SD	Distance between centre of adjustment screws	Metal long	654	654
		Metal short	504	504
		Composite	599	N/A

Table 5 Feet

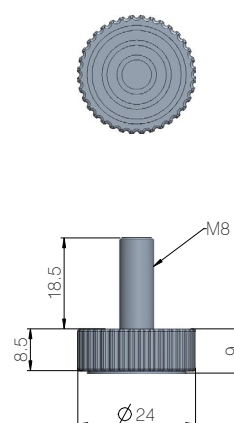
* Distance from floor to bottom of column mounting hole.

Adjustment screw for DESKLIFT feet



Drawing no. 1037W4032

Figure 9 For DESKLIFT feet (metal) dimensions



Drawing no. 1037W4038

Figure 10 For DESKLIFT feet (composite) dimensions

Contacts

FACTORIES

Denmark - Headquarters
LINAK A/S
Phone: +45 73 15 15 15
Fax: +45 74 45 80 48
Fax (Sales): +45 73 15 16 13
Web: www.linak.com

China
LINAK (Shenzhen) Actuator Systems, Ltd.
Phone: +86 755 8610 6656
Phone: +86 755 8610 6990
Web: www.linak.cn

Slovakia
LINAK Slovakia s.r.o.
Phone: +421 51 7563 444
Web: www.linak.sk

Thailand
LINAK APAC Ltd.
Phone: +66 33 265 400
Web: www.linak.com

USA
LINAK U.S. Inc.
Americas Headquarters
Phone: +1 502 253 5595
Fax: +1 502 253 5596
Web: www.linak-us.com
www.linak-latinamerica.com

SUBSIDIARIES

Australia
LINAK Australia Pty. Ltd
Phone: +61 3 8796 9777
Fax: +61 3 8796 9778
E-mail: sales@linak.com.au
Web: www.linak.com.au

Austria
LINAK Zweigniederlassung - Österreich (Wien)
Phone: +43 (1) 890 7446
Fax: +43 (1) 890 744615
E-mail: info@linak.de
Web: www.linak.at - www.linak.hu

Belgium
LINAK Actuator-Systems NV/SA
(Belgium & Luxembourg)
Phone: +32 (0)9 230 01 09
E-mail: beinfo@linak.be
Web: www.linak.be - www.fr.linak.be

Brazil
LINAK Do Brasil Comércio De Atuadores Ltda.
Phone: +55 (11) 2832 7070
Fax: +55 (11) 2832 7060
E-mail: info@linak.com.br
Web: www.linak.com.br

Canada
LINAK Canada Inc.
Phone: +1 502 253 5595
Fax: +1 416 255 7720
E-mail: info@linak.ca
Web: www.linak-us.com

Czech Republic
LINAK C&S s.r.o.
Phone: +42 058 174 1814
Fax: +42 058 170 2452
E-mail: info@linak.cz
Web: www.linak.cz - www.linak.sk

Denmark - International
LINAK International
Phone: +45 73 15 15 15
E-mail: info@linak.com
Web: www.linak.com

Denmark - Sales
LINAK Danmark A/S
Phone: +45 86 80 36 11
Fax: +45 86 82 90 51
E-mail: linak@linak-silkeborg.dk
Web: www.linak.dk

Finland
LINAK OY
Phone: +358 10 841 8700
E-mail: linak@linak.fi
Web: www.linak.fi

France
LINAK France E.U.R.L
Phone: +33 (0) 2 41 36 34 34
Fax: +33 (0) 2 41 36 35 00
E-mail: linak@linak.fr
Web: www.linak.fr

Germany
LINAK GmbH
Phone: +49 6043 9655 0
Fax: +49 6043 9655 60
E-mail: info@linak.de
Web: www.linak.de

India
LINAK A/S India Liaison Office
Phone: +91 120 4531797
Fax: +91 120 4786428
E-mail: info@linak.in
Web: www.linak.in

Italy
LINAK ITALIA S.r.l.
Phone: +39 02 48 46 33 66
Fax: +39 02 48 46 82 52
E-mail: info@linak.it
Web: www.linak.it

Japan
LINAK K.K.
Phone: 81-45-533-0802
Fax: 81-45-533-0803
E-mail: linak@linak.jp
Web: www.linak.jp

Malaysia
LINAK Actuators Sdn. Bhd.
Phone: +60 4 210 6500
Fax: +60 4 226 8901
E-mail: info@linak-asia.com
Web: www.linak.my

Netherlands
LINAK Actuator-Systems B.V.
Phone: +31 76 5 42 44 40 /
+31 76 200 11 10
E-mail: info@linak.nl
Web: www.linak.nl

New Zealand
LINAK New Zealand Ltd
Phone: +64 9580 2071
Fax: +64 9580 2072
E-mail: nzsales@linak.com.au
Web: www.linak.com.au

Norway
LINAK Norge AS
Phone: +47 32 82 90 90
E-mail: info@linak.no
Web: www.linak.no

Poland
LINAK Polska
LINAK Danmark A/S (Spółka Akcyjna)
Phone: +48 22 295 09 70 /
+48 22 295 09 71
E-mail: info@linak.pl
Web: www.linak.pl

Republic of Korea
LINAK Korea Ltd.
Phone: +82 2 6231 1515
Fax: +82 2 6231 1516
E-mail: info@linak.kr
Web: www.linak.kr

Slovakia
LINAK Slovakia S.R.O.
Phone: +421 51 7563 444
Web: www.linak.sk

Spain
LINAK Actuadores, S.L.U
Phone: +34 93 588 27 77
Fax: +34 93 588 27 85
E-mail: esma@linak.es
Web: www.linak.es

Sweden
LINAK Scandinavia AB
Phone: +46 8 732 20 00
Fax: +46 8 732 20 50
E-mail: info@linak.se
Web: www.linak.se

Switzerland
LINAK AG
Phone: +41 43 388 31 88
Fax: +41 43 388 31 87
E-mail: info@linak.ch
Web: www.linak.ch - www.fr.linak.ch
www.it.linak.ch

Taiwan
LINAK (Shenzhen) Actuator systems Ltd.
Taiwan Representative office
Phone: +886 2 272 90068
Fax: +886 2 272 90096
E-mail: sales@linak.com.tw
Web: www.linak.com.tw

Turkey
LINAK İth. İhr. San. ve Tic. A.Ş.
Phone: +90 312 4726338
Fax: +90 312 4726635
E-mail: info@linak.com.tr
Web: www.linak.com.tr

United Kingdom & Ireland
LINAK UK Limited
Phone: +44 (0)121 544 2211
Fax: +44 (0)121 544 2552
E-mail: sales@linak.co.uk
Web: www.linak.co.uk

DISTRIBUTORS

Argentina
Novotec Argentina SRL
Phone: 011-4303-8989 / 8900
Fax: 011-4032-0184
E-mail: info@novotecargentina.com
Web: www.novotecargentina.com

Colombia
MEM Ltda
Phone: +[57] (1) 334-7666
Fax: +[57] (1) 282-1684
E-mail: servicioalcliente@memltda.com.co
Web: www.mem.net.co

India
Mechatronics Control Equipments India Pvt Ltd
Phone: +91-44-28558484, 85
E-mail: bala@mechatronicscontrol.com
Web: www.mechatronicscontrol.com

Indonesia
PT. Himalaya Everest Jaya
Phone: +6 221 544 8956 /+6 221 544 8965
Fax: +6 221 619 1925
Fax (Sales): +6 221 619 4658
E-mail: hejplastic-div@centrin.net.id
Web: www.hej.co.id

Israel
NetivTech LTD
Phone: +972 55-2266-535
Fax: +972 2-9900-560
Email: info@NetivTech.com
Web: www.netivtech.com

Singapore
Servo Dynamics Pte Ltd
Phone: +65 6844 0288
Fax: +65 6844 0070
E-mail: servodynamics@servo.com.sg

South Africa
Industrial Specialised Applications CC
Phone: +27 011 466 0346
E-mail: gartht@isagroup.co.za
Web: www.isaza.co.za

United Arab Emirates
Mechatronics
Phone: +971 4 267 4311
Fax: +971 4 267 4312
E-mail: mechtron@emirates.net.ae

Terms of use

LINAK® takes great care in providing accurate and up-to-date information on its products. However, the user is responsible for determining the suitability of LINAK products for a specific application. Due to continual development, LINAK products are subject to frequent modifications and changes. LINAK reserves the rights to conduct modifications, updates, and changes without any prior notice. For the same reason, LINAK cannot guarantee the correctness and actual status of imprinted information on its products.

LINAK uses its best efforts to fulfil orders. However, for the reasons mentioned above, LINAK cannot guarantee availability of any particular product at any given time. LINAK reserves the right to discontinue the sale of any product displayed on its website or listed in its catalogues or in other written material created and produced by LINAK, LINAK subsidiaries, or LINAK affiliates. All sales are subject to the 'Standard Terms of Sale and Delivery for LINAK A/S' available on LINAK websites. LINAK and the LINAK logotype are registered trademarks of LINAK A/S. All rights reserved.