



Hand Control HB60

Data sheet

HB60

The HB60 series is exclusively designed to be used together with the LINAK HOMELINE® system:
LA31/LA29 and CB9 with or without memory.



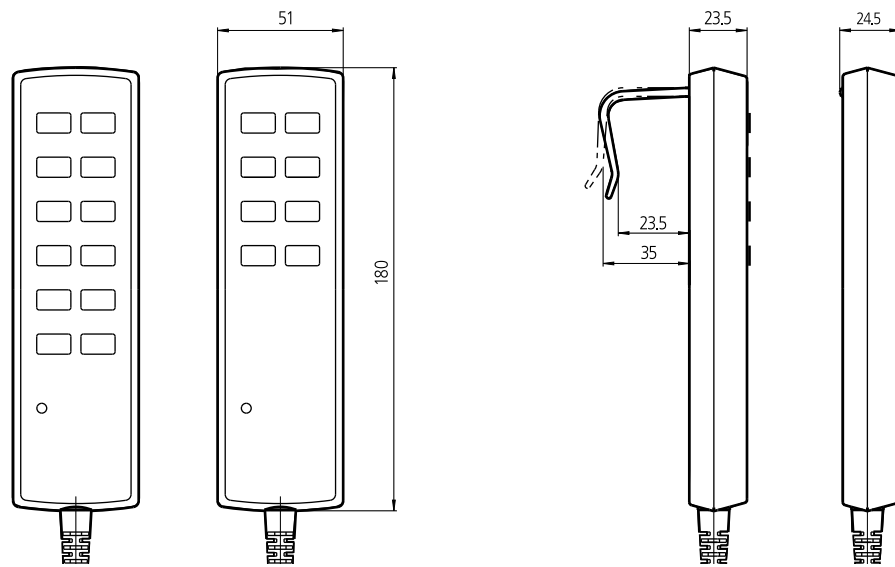
Features:

- Hand control for up to 4 actuators
- High-strength plastic housing
- Easy-touch buttons
- Compatible with some CB9 types
- Hook for easy placement
- Ambient temperature: +5°C to +40°C
- Colour: black
- LED (when activating the hand control the LED will light up)

Options:

- Customised front cover
- Colour: Grey
- Memory function
- Anti-slip rubber tip for placement on a flat surface

Dimensions:

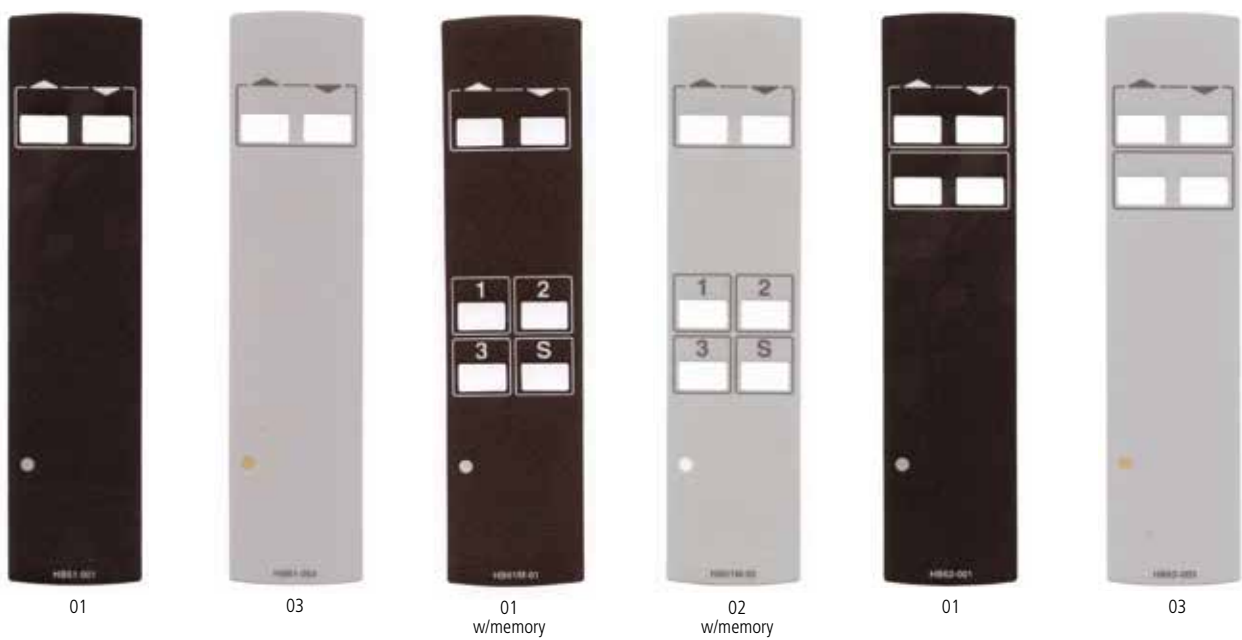


Combinations:

	CB9 (not matrix)	CB9..PM/..PN
HB600	X	
HB60M		X

Will be phased out

HB60 standard front covers



All versions with memory are being phased out

HB60 standard front covers



06



11



01
w/memory



02
w/memory



01



03



04



08



01
w/memory



03
w/memory



01



02



03



01
w/memory



02
w/memory



All versions with memory are being phased out

HB60

Ordering example:

HB 6 1 0 0 0 - 0 0 0 0

Cable:	0	Straight cable, 8-pole DIN plug: 2.5 m
	1	9-core coiled cable, 8-pole DIN plug: 0.6 m
	2	6-core cable, 8-pole DIN plug: 0.6 m
	3	6-core coiled cable, without plug (only black): 0.5 m
	4	4-core coiled cable, telephone plug: 0.5 m
	5	9-core coiled cable, straight end with 8-pole DIN plug: 0.6 m coiled / 1.7 m straight
	9	5-core coiled cable, straight end with telephone plug: 0.6 m coiled / 1.7 m straight - (only black)
Features:	0	Hook
	1	Rubber pad
Colour:	0	Black
	1	Grey
Front cover:	00	Standard
	XX	Customised
Standard:	00	Standard
Functionality:	0	For CB9
	M	For CB9..PM/ ..PN only cable no. 0, 1 and 5 can be used.
Number of channels:	1-4	
Type:	HB60	

Terms of use

The user is responsible for determining the suitability of LINAK products for specific application. LINAK takes great care in providing accurate and up-to-date information on its products.

However, due to continuous development in order to improve its products, LINAK products are subject to frequent modifications and changes without prior notice. Therefore, LINAK cannot guarantee the correct and actual status of said information on its products.

While LINAK uses its best efforts to fulfill orders, LINAK cannot, for the same reasons as mentioned above, guarantee the availability of any particular product. Therefore, LINAK reserves the right to discontinue the sale of any product displayed on its website or listed in its catalogues or other written material drawn up by LINAK.

All sales are subject to the Standard Terms of Sale and Delivery for LINAK. For a copy hereof, please contact LINAK.