



Hand Control HB10 Data sheet

HB10

The HB10 hand control series is designed for use with HOMELINE® systems for applications like leisure beds and e.g. recliners. The HB10 hand control has an ergonomic design and size and features large buttons all blending in to a user-friendly handset.



Features:

- Easily operated by both left and right-handed persons
- Ergonomic and elegant design
- Tactile SMD switches secure long lifetime
- 500 mm coiled / 1215 mm straight cable (2450 mm for HB12 LINBUS)
- Colour grey (RAL 7035), colour black (RAL 9005) or Silver (RAL 9022) (Silver - HB12 LINBUS only)

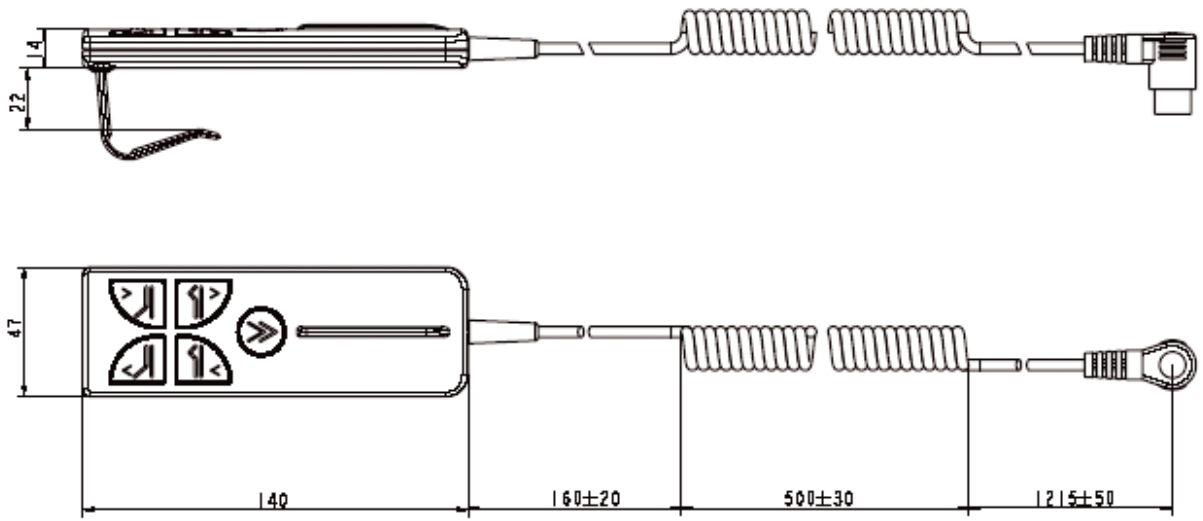
Options:

- Customised silk screen printing on cover
- Simultaneous drive up and down
- Simultaneous drive down
- 4 memory positions (HB12LB only)
- Clip on the cable (HB12LB only)
- Button for Under Bed Light (HB12LB only)

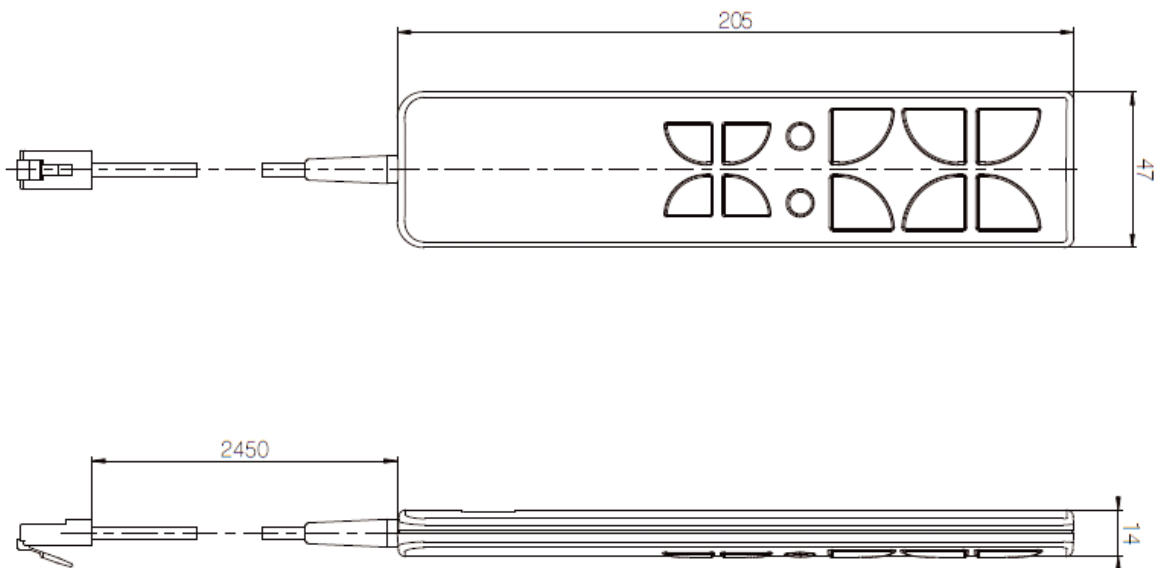
Usage:

- HB11/HB12 version is compatible with CBH Basic series
- HB12 LINBUS is compatible with CBH Advanced, TD4 Advanced and TD3
- Approval according to EN 60335-1, UL962

Dimensions:



HB12LB



HB10

Ordering example:

HB1 2 R0 0 - 0 00 0500

| | |
|------------------------------|--|
| Cable length: | 0500 = 500 2450 = 2450 (Only for LB functionality) |
| Cable type: | 00 = 5-core coiled cable, 5P DIN plug for 2 channels (TD1) 03 = 5-core coiled cable, 8P modular jack plug for 1 or 2 channels (CBH Basic) 06 = 5-core coiled cable, Mini-fit and DC power jack 07 = 4-core straight cable with clip (Only for functionality LB) |
| Hook: | 0 = With hook 1 = No hook (Only for functionality LB) |
| Colour: | - = Black + = Grey C = Silver RAL 9022 (Only for functionality LB) |
| Silk screen printing: | 0 = Standard |
| Functionality: | 00 = Common R0 = Common with simultaneous down (Head + Foot) R1 = Common with simultaneous up and down (Head + Foot) LB = Memory positions and Under Bed Light |
| Number of channels: | 1 - 2 |
| Type | HB10 |

HB11000-0030500
HB11000-0060500



HB12000-0030500



HB12R00-0000500



HB12R00+0000500



HB12R10+0000500



HB12LB0C1072450



Terms of use

The user is responsible for determining the suitability of LINAK products for specific application. LINAK takes great care in providing accurate and up-to-date information on its products.

However, due to continuous development in order to improve its products, LINAK products are subject to frequent modifications and changes without prior notice. Therefore, LINAK cannot guarantee the correct and actual status of said information on its products.

While LINAK uses its best efforts to fulfill orders, LINAK cannot, for the same reasons as mentioned above, guarantee the availability of any particular product. Therefore, LINAK reserves the right to discontinue the sale of any product displayed on its website or listed in its catalogues or other written material drawn up by LINAK.

All sales are subject to the Standard Terms of Sale and Delivery for LINAK. For a copy hereof, please contact LINAK.