

# Foot Switch FS3 Data Sheet



---

## Contents

<b>Introduction.....</b>	<b>3</b>
<b>Features and options .....</b>	<b>4</b>
<b>Usage .....</b>	<b>4</b>
<b>Dimensions drawings .....</b>	<b>5</b>
<b>Ordering example .....</b>	<b>8</b>
<b>Contacts .....</b>	<b>9</b>

## Introduction



The LINAK® Foot Switch FS3 is an elegant control unit, allowing healthcare professionals across the sector to have both hands free when attending to patients, thus also helping to improve ergonomics. It is designed to be used in modular adjustment systems consisting of LINAK control boxes and electric LINAK IC actuators.

Developed in cooperation with end users, the FS3 is specifically designed to improve and ease control of applications, such as hospital beds, treatment couches/tables and various treatment chairs. The result is a particularly user-friendly and easy-to-clean unit with an elegant and aesthetic design.

However, the FS3 is also a very robust and durable foot control available in both a single and a double version. The latter allows you to add and control more movement options, often used in more advanced applications.

The FS3 is available in an analogue version as well as a digital OpenBus™ version, and for applications where trip hazards are an issue or design freedom is prioritised, the unit comes in a wireless edition too (Bluetooth® Low Energy).

The FS3 is likewise offered in a 3-stage variant that features an extra stop functionality. This FS3 version can be used in situations where an additional deactivation switch is preferable or required.

### Description of the different activation levels on the 3-stage foot switch:

1. No activation - no pressure on the foot switch
2. Activation - normal pressure on the foot switch for application movement
3. Stop activation - increased pressure on the foot switch will stop the application movement

## Features and options

Pedals colour:	Dark grey RAL7016
Bottom housing colour:	Light grey RAL 7035
Protection class:	IPX6 (or IPX6 Washable DURA™ for beds model only)
Number of functions:	1 or 2 functions
Cable:	Straight 1000 mm and 2000 mm, coiled 600 mm
Button type:	Easy touch tactile switches
Design:	Ergonomic design in the butterfly shape
Mounting:	Floor model or mounted on the side of the bed frame
Wireless:	Wireless operation together with CA/CO with BLE - floor model only
FS3, 3-stage switch:	Additional deactivation functionality - compatible with analogue LINAK control boxes

## Usage

Usage temperature:	+ 5° C to + 40° C
Storage temperature:	-10° C to + 50° C
Relative humidity:	20% to 80% - non-condensing
Atmospheric pressure:	700 to 1060 hPa
Height above sea level:	Max. 3000 meters
Compatibility:	Compatible with LINAK analogue and OpenBus™ control boxes. Please contact LINAK.

Approvals:

### Safety

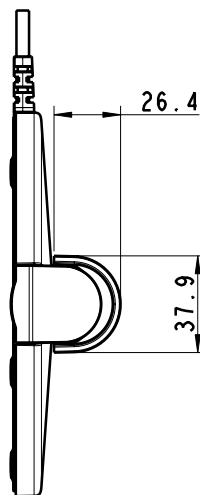
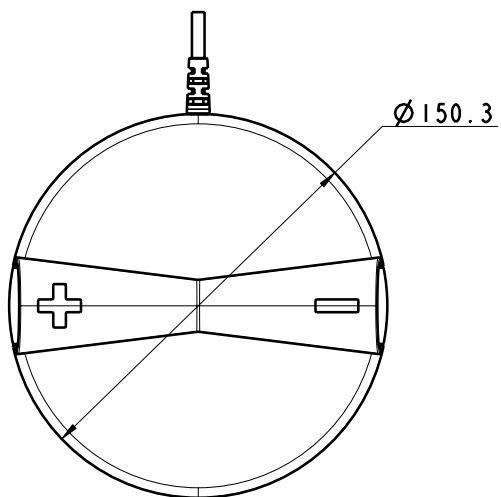
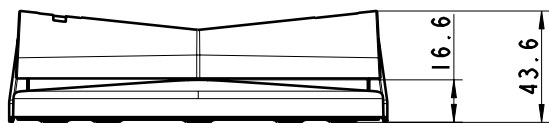
- IEC60601-1
- ANSI/AAMI ES60601-1
- CAN/CSA-22.2 No. 60601-1

### Radio

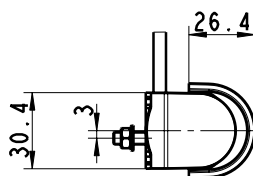
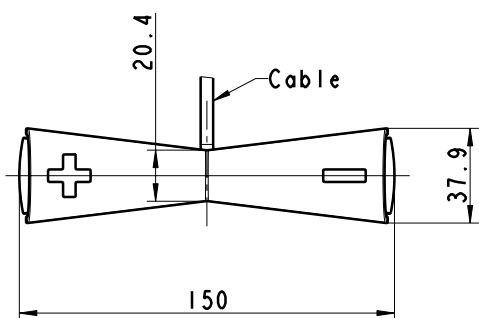
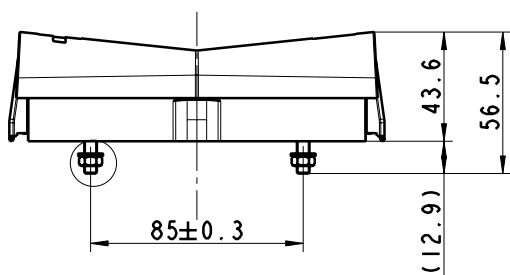
- RED
- FCC (US)
- IC (Canada)
- Telec (Japan)

## Dimensions drawings

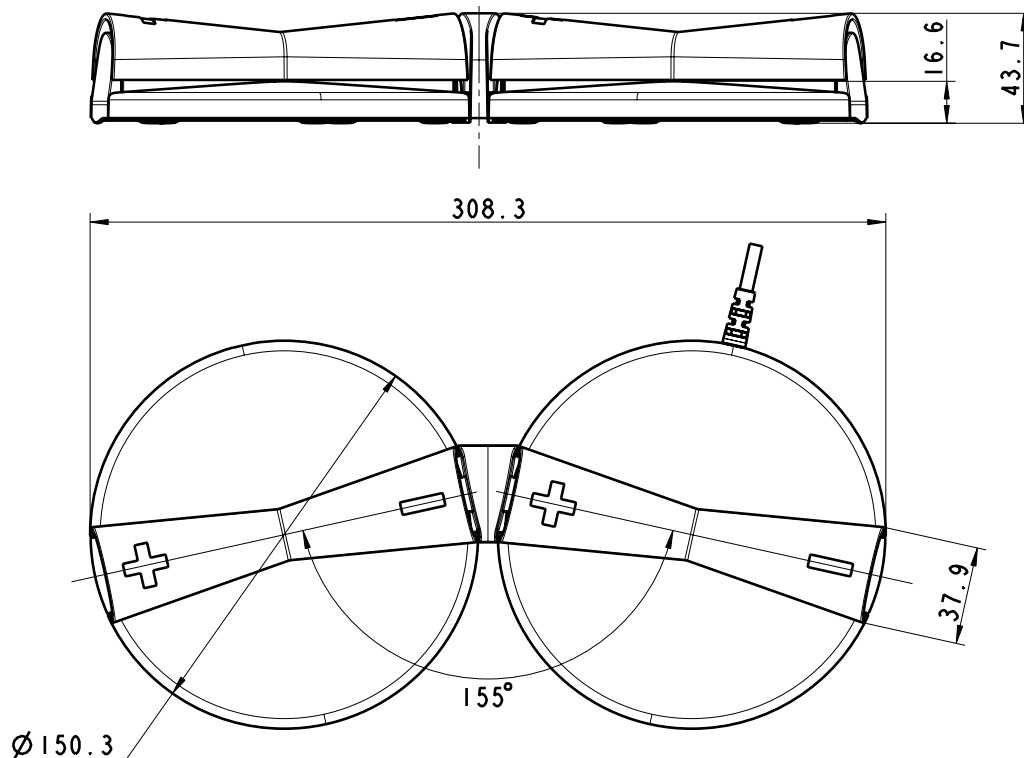
### Dimensions for 1 channel floor model



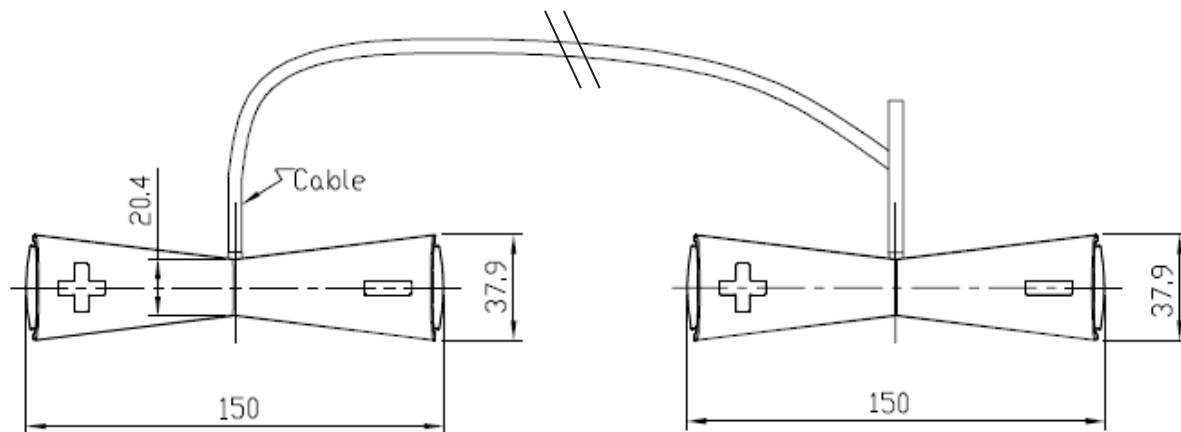
### Dimensions for 1 channel bed model



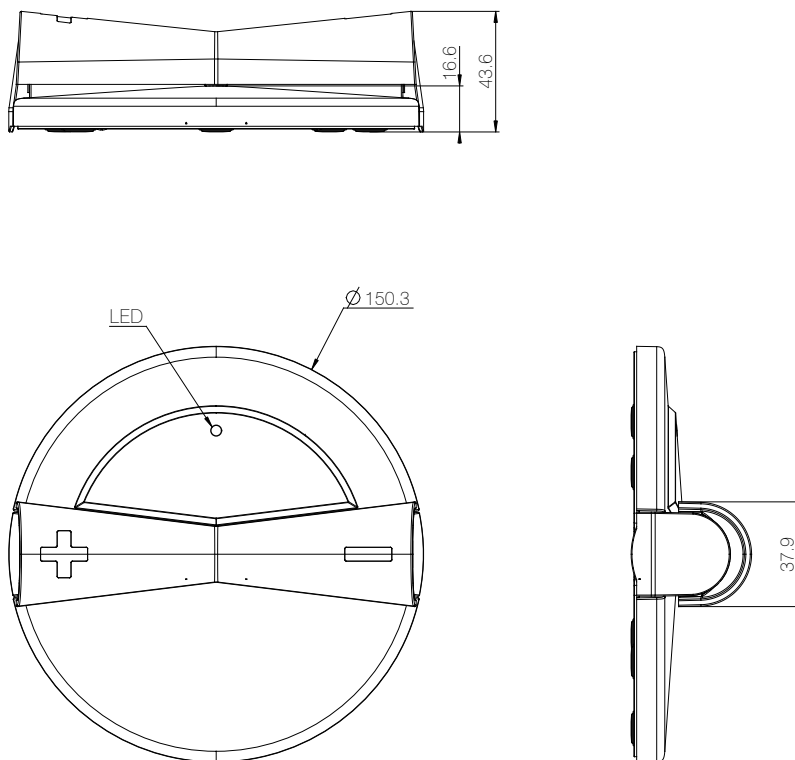
**Dimensions for 2 channel floor model**



**Dimensions for 2 channel bed model with cable (analogue and OpenBus versions)**

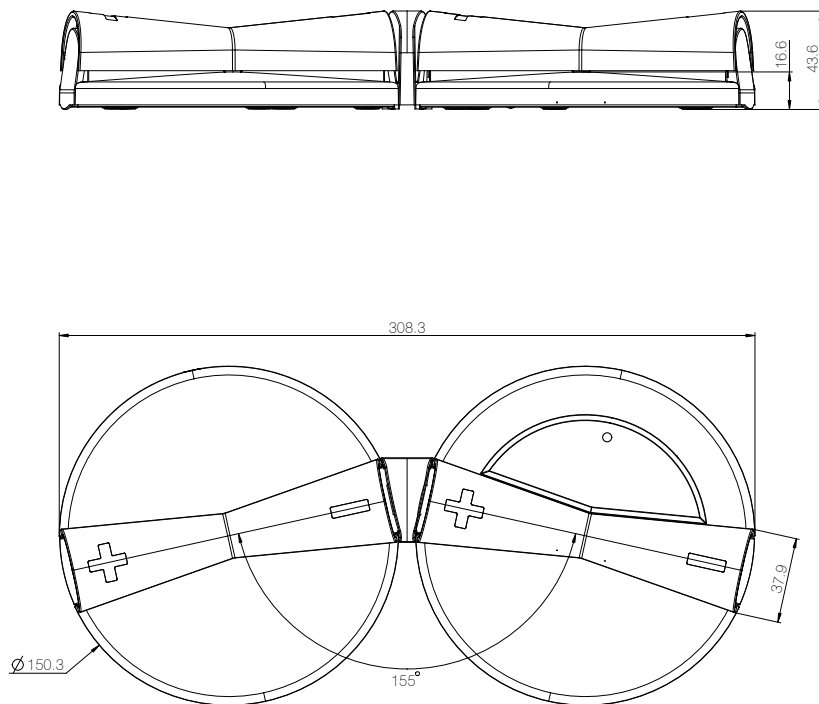


**Dimensions for single FS3 wireless version**



Drawing no.: 05801w4001

**Dimensions for double FS3 wireless version**



Drawing no.: 05801w4002

# Ordering example

<b>F S 3 2 0 1 2 0 0 0 0 0 6 - G 0 0 0 0 0 0 0 0 0 1 0 0 0</b>	<p>Not used</p> <p>FS3 cable length:</p> <p>FS3 cable material</p> <p>FS3 cable plug type</p> <p>FS3 cable colour</p> <p>Not used</p> <p>Interconnection cable</p> <p>Not used</p> <p>Foot pedal handle colour</p> <p>Mounting</p> <p>Box colour</p> <p>IP-degree:</p> <p>Not used</p> <p>Bluetooth generation</p> <p>Not used</p> <p>Functionality right pedal (right/double pedal)</p> <p>Functionality left pedal (left/single pedal)</p> <p>Functionality type</p> <p>FS3 Type</p> <p>Controls Type</p> <p>Controls</p>	<p>0 = None</p> <p>0 = No cable (for wireless version only)              1 = Straight 2000 mm              2 = Straight 1000 mm              3 = Coil 600 mm (only for OB variants)              X = Special</p> <p>0 = No cable (for wireless version only)              1 = PU              2 = TPE (only for FS3 3-stage version)</p> <p>D = DIN              M = Modular              N = No plug, wireless</p> <p>0 = Grey RAL7035              1 = No cable (for wireless version only)</p> <p>0 = None</p> <p>0 = None              1 = 1400 mm (only for bed adapter)              2 = 300 mm (only for bed adapter)</p> <p>0 = None</p> <p>0 = Dark grey RAL7016              S = Special</p> <p>0 = No screw (floor adapter single and double)              1 = Screw mounting (bed adapter single and double)              2 = No screw (wireless floor adapter single and double)</p> <p>G = Grey RAL7035              B = Black RAL 9005 (only wireless version)              W = White RAL 9016 (only wireless version)              - = None</p> <p>6 = IPX6 (floor version and wireless floor version)              W = IPX6 Washable DURA™ (bed version only)</p> <p>0 = None</p> <p>0 = LINAK GEN1 (no longer available for ordering)              4 = LINAK GEN2</p> <p>0 = None</p> <p>0 = Only for OpenBus™ See functionality overview              1 = See functionality overview              2 = See functionality overview              3 = Not for OpenBus™ See functionality overview              4 = Not for OpenBus™ See functionality overview              5 = See functionality overview wireless              X = Special</p> <p>S = Single pedal              0 = Only for OpenBus™ See functionality overview              1 = See functionality overview              2 = See functionality overview              3 = Not for OpenBus™ See functionality overview              4 = Not for OpenBus™ See functionality overview              5 = See functionality overview wireless              X = Special</p> <p>0 = Analogue (CB6 like control box, common positive)              H = Analogue (Common Ground, CB9 like control box must choose this bit)              V = Openbus™              A = Wireless SW1              B = Wireless SW2              C = Wireless SW3              E = FS3 3-stage, CA analogue              X = Special SW</p> <p>0 = Bed adapter (single)*              1 = Floor adapter (single)*              2 = Floor adapter (double)              3 = Bed adapter (double)              4 = Floor wireless (single)              5 = Floor wireless (double)</p> <p>S3 = FS3</p> <p>F = Foot switch</p>
--	---	---

\* For use in FS3 3-stage.



# Contacts

## FACTORIES

Denmark - Headquarters  
 LINAK A/S  
 Phone: +45 73 15 15 15  
 Fax: +45 74 45 80 48  
 Fax (Sales): +45 73 15 16 13  
 Web: www.linak.com

China  
 LINAK (Shenzhen) Actuator Systems, Ltd.  
 Phone: +86 755 8610 6656  
 Phone: +86 755 8610 6990  
 Web: www.linak.cn

Slovakia  
 LINAK Slovakia s.r.o.  
 Phone: +421 51 7563 444  
 Web: www.linak.sk

Thailand  
 LINAK APAC Ltd.  
 Phone: +66 33 265 400  
 Web: www.linak.com

USA  
 LINAK U.S. Inc.  
 Americas Headquarters  
 Phone: +1 502 253 5595  
 Fax: +1 502 253 5596  
 Web: www.linak-us.com  
 www.linak-latinamerica.com

## SUBSIDIARIES

Australia  
 LINAK Australia Pty. Ltd  
 Phone: +61 3 8796 9777  
 Fax: +61 3 8796 9778  
 E-mail: sales@linak.com.au  
 Web: www.linak.com.au

Austria  
 LINAK Zweigniederlassung - Österreich (Wien)  
 Phone: +43 (1) 890 7446  
 Fax: +43 (1) 890 744615  
 E-mail: info@linak.de  
 Web: www.linak.at - www.linak.hu

Belgium  
 LINAK Actuator-Systems NV/SA  
 (Belgium & Luxembourg)  
 Phone: +32 (0)9 230 01 09  
 E-mail: beinfo@linak.be  
 Web: www.linak.be - www.fr.linak.be

Brazil  
 LINAK Do Brasil Comércio De Atuadores Ltda.  
 Phone: +55 (11) 2832 7070  
 Fax: +55 (11) 2832 7060  
 E-mail: info@linak.com.br  
 Web: www.linak.com.br

Canada  
 LINAK Canada Inc.  
 Phone: +1 502 253 5595  
 Fax: +1 416 255 7720  
 E-mail: info@linak.ca  
 Web: www.linak-us.com

Czech Republic  
 LINAK C&S s.r.o.  
 Phone: +42 058 174 1814  
 Fax: +42 058 170 2452  
 E-mail: info@linak.cz  
 Web: www.linak.cz - www.linak.sk

Denmark - International  
 LINAK International  
 Phone: +45 73 15 15 15  
 E-mail: info@linak.com  
 Web: www.linak.com

Denmark - Sales  
 LINAK Danmark A/S  
 Phone: +45 86 80 36 11  
 Fax: +45 86 82 90 51  
 E-mail: linak@linak-silkeborg.dk  
 Web: www.linak.dk

Finland  
 LINAK OY  
 Phone: +358 10 841 8700  
 E-mail: linak@linak.fi  
 Web: www.linak.fi

France  
 LINAK France E.U.R.L  
 Phone: +33 (0) 2 41 36 34 34  
 Fax: +33 (0) 2 41 36 35 00  
 E-mail: linak@linak.fr  
 Web: www.linak.fr

Germany  
 LINAK GmbH  
 Phone: +49 6043 9655 0  
 Fax: +49 6043 9655 60  
 E-mail: info@linak.de  
 Web: www.linak.de

India  
 LINAK A/S India Liaison Office  
 Phone: +91 120 4531797  
 Fax: +91 120 4786428  
 E-mail: info@linak.in  
 Web: www.linak.in

Ireland  
 LINAK UK Limited (Ireland)  
 Phone: +44 (0)121 544 2211  
 Fax: +44 (0)121 544 2552  
 +44 (0)796 855 1606 (UK Mobile)  
 +35 387 634 6554 (Rep.of Ireland Mobile)  
 E-mail: sales@linak.co.uk  
 Web: www.linak.co.uk

Italy  
 LINAK ITALIA S.r.l.  
 Phone: +39 02 48 46 33 66  
 Fax: +39 02 48 46 82 52  
 E-mail: info@linak.it  
 Web: www.linak.it

Japan  
 LINAK K.K.  
 Phone: 81-45-533-0802  
 Fax: 81-45-533-0803  
 E-mail: linak@linak.jp  
 Web: www.linak.jp

Malaysia  
 LINAK Actuators Sdn. Bhd.  
 Phone: +60 4 210 6500  
 Fax: +60 4 226 8901  
 E-mail: info@linak-asia.com  
 Web: www.linak.my

Netherlands  
 LINAK Actuator-Systems B.V.  
 Phone: +31 76 5 42 44 40 /  
 +31 76 200 11 10  
 E-mail: info@linak.nl  
 Web: www.linak.nl

New Zealand  
 LINAK New Zealand Ltd  
 Phone: +64 9580 2071  
 Fax: +64 9580 2072  
 E-mail: nzsales@linak.com.au  
 Web: www.linak.com.au

Norway  
 LINAK Norge AS  
 Phone: +47 32 82 90 90  
 E-mail: info@linak.no  
 Web: www.linak.no

Poland  
 LINAK Polska  
 LINAK Danmark A/S (Spółka Akcyjna)  
 Phone: +48 22 295 09 70 /  
 +48 22 295 09 71  
 E-mail: info@linak.pl  
 Web: www.linak.pl

Republic of Korea  
 LINAK Korea Ltd.  
 Phone: +82 2 6231 1515  
 Fax: +82 2 6231 1516  
 E-mail: info@linak.kr  
 Web: www.linak.kr

Slovakia  
 LINAK Slovakia S.R.O.  
 Phone: +421 51 7563 444  
 Web: www.linak.sk

Spain  
 LINAK Actuadores, S.L.u  
 Phone: +34 93 588 27 77  
 Fax: +34 93 588 27 85  
 E-mail: esma@linak.es  
 Web: www.linak.es

Sweden  
 LINAK Scandinavia AB  
 Phone: +46 8 732 20 00  
 Fax: +46 8 732 20 50  
 E-mail: info@linak.se  
 Web: www.linak.se

Switzerland  
 LINAK AG  
 Phone: +41 43 388 31 88  
 Fax: +41 43 388 31 87  
 E-mail: info@linak.ch  
 Web: www.linak.ch - www.fr.linak.ch  
 www.it.linak.ch

Taiwan  
 LINAK (Shenzhen) Actuator systems Ltd.  
 Taiwan Representative office  
 Phone: +886 2 272 90068  
 Fax: +886 2 272 90096  
 E-mail: sales@linak.com.tw  
 Web: www.linak.com.tw

Turkey  
 LINAK İth. İhr. San. ve Tic. A.Ş.  
 Phone: +90 312 4726338  
 Fax: +90 312 4726635  
 E-mail: info@linak.com.tr  
 Web: www.linak.com.tr

United Kingdom  
 LINAK UK Limited  
 Phone: +44 (0)121 544 2211  
 Fax: +44 (0)121 544 2552  
 E-mail: sales@linak.co.uk  
 Web: www.linak.co.uk

## DISTRIBUTORS

Argentina  
 Novotec Argentina SRL  
 Phone: 011-4303-8989 / 8900  
 Fax: 011-4032-0184  
 E-mail: info@novotecargentina.com  
 Web: www.novotecargentina.com

Colombia  
 MEM Ltda  
 Phone: +[57] (1) 334-7666  
 Fax: +[57] (1) 282-1684  
 E-mail: servicioalcliente@memltda.com.co  
 Web: www.mem.net.co

India  
 Mechatronics Control Equipments India Pvt Ltd  
 Phone: +91-44-28558484, 85  
 E-mail: bala@mechatronicscontrol.com  
 Web: www.mechatronicscontrol.com

Indonesia  
 PT. Himalaya Everest Jaya  
 Phone: +6 221 544 8956 /+6 221 544 8965  
 Fax: +6 221 619 1925  
 Fax (Sales): +6 221 619 4658  
 E-mail: hejplastic-div@centrin.net.id  
 Web: www.hej.co.id

Israel  
 NetivTech LTD  
 Phone: +972 55-2266-535  
 Fax: +972 2-9900-560  
 Email: info@NetivTech.com  
 Web: www.netivtech.com

Singapore  
 Servo Dynamics Pte Ltd  
 Phone: +65 6844 0288  
 Fax: +65 6844 0070  
 E-mail: servodynamics@servo.com.sg

South Africa  
 Industrial Specialised Applications CC  
 Phone: +27 011 466 0346  
 E-mail: gartht@isagroup.co.za  
 Web: www.isaza.co.za

United Arab Emirates  
 Mechatronics  
 Phone: +971 4 267 4311  
 Fax: +971 4 267 4312  
 E-mail: mechtron@emirates.net.ae

## Terms of use

LINAK® takes great care in providing accurate and up-to-date information on its products. However, the user is responsible for determining the suitability of LINAK products for a specific application. Due to continual development, LINAK products are subject to frequent modifications and changes. LINAK reserves the rights to conduct modifications, updates, and changes without any prior notice. For the same reason, LINAK cannot guarantee the correctness and actual status of imprinted information on its products.

LINAK uses its best efforts to fulfil orders. However, for the reasons mentioned above, LINAK cannot guarantee availability of any particular product at any given time. LINAK reserves the right to discontinue the sale of any product displayed on its website or listed in its catalogues or in other written material created and produced by LINAK, LINAK subsidiaries, or LINAK affiliates. All sales are subject to the 'Standard Terms of Sale and Delivery for LINAK A/S' available on LINAK websites. LINAK and the LINAK logotype are registered trademarks of LINAK A/S. All rights reserved.