



# Desk Panel Control DPH Medical Data sheet

# DPH Medical

---

The desk panel control DPH is made especially for the medical segment. It makes it possible to differentiate product design and achieve a more aesthetic control solution.

The DPH is a small two button panel for adjustment of different functions. It is an alternative to a footswitch or hand control in for example:

- Treatment and examination couches
- Treatment chairs
- Nursing tables
- Patient lifts

The DPH (DPH1K10-210007) works with MJB (MJB5061101-00) and is OpenBus™ compatible.

The DPH (DPH1K10-210008 and DPH1K10-210009) fits directly into the analogue control box (CA30/CA40 or CA63). The MJB 000 port repeater version can be used in systems where several DPH controls are needed.



---

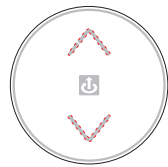
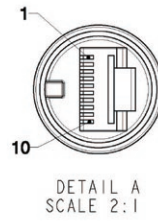
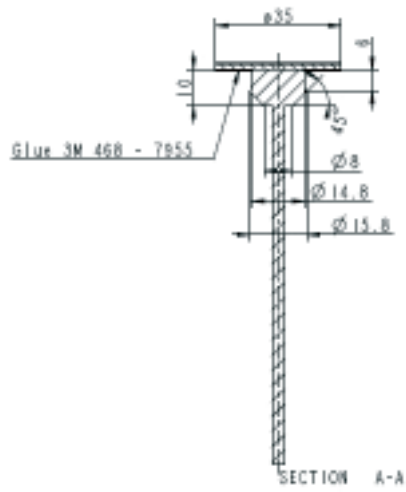
## Features and options:

- Up and down activation of 1 function
- Available with white foil and chrome print
- Cable: 1500 mm straight cable, grey colour RAL 7035
- Cable plug: Modular jack plug type RJ 45
- It is possible to achieve IPX4 by correct mounting in the application

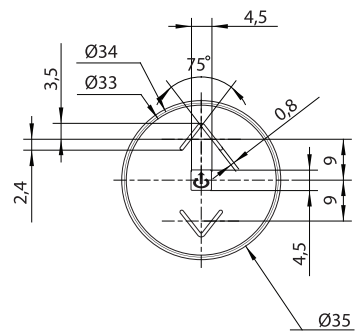
## Usage:

- Usage temperature: +5°C to +40°C
- Storage temperature: -10 °C to 50 °C
- Relative humidity: 20% to 80% - non-condensing
- Atmospheric pressure: 700 to 1060 hPa
- Height above sea level: Max. 3000 meters
- Compatibility: DPH is compatible with analogue or OpenBus™ control boxes
- Modular Junction Box: MJB5061101-00 to be used with DPH1K10-210007 or MJB version 000 port repeater to be used with DPH1K10-210008 or DPH1K10-210009
- DPH and MJB are approved in accordance with: IEC60601-1  
ANSI AAMI ES60601-1,  
CAN/CSA-22.2 No 60601-1

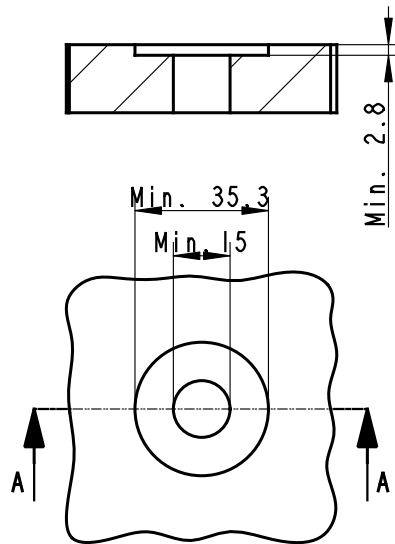
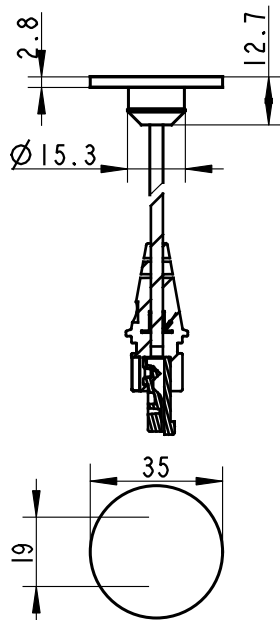
Dimensions:



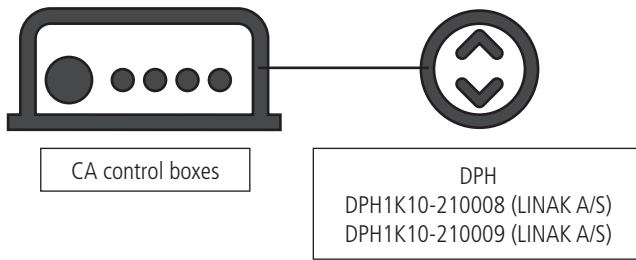
Emboss 0,2 - 0,3 mm



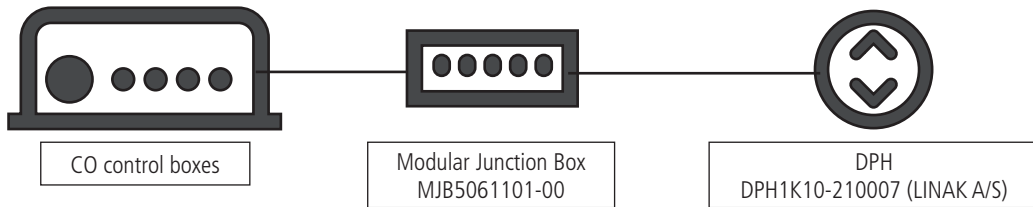
SECTION A-A



## System overview - analogue



## System overview - OpenBus™



### Terms of use

The user is responsible for determining the suitability of LINAK products for specific application. LINAK takes great care in providing accurate and up-to-date information on its products. However, due to continuous development in order to improve its products, LINAK products are subject to frequent modifications and changes without prior notice. Therefore, LINAK cannot guarantee the correct and actual status of said information on its products. While LINAK uses its best efforts to fulfill orders, LINAK cannot, for the same reasons as mentioned above, guarantee the availability of any particular product. Therefore, LINAK reserves the right to discontinue the sale of any product displayed on its website or listed in its catalogues or other written material drawn up by LINAK. All sales are subject to the Standard Terms of Sale and Delivery for LINAK. For a copy hereof, please contact LINAK.