



Control Panel DPH Medical Data sheet

DPH Medical

The DPH is made especially for the medical segment. This new DPH makes it possible to differentiate product design and achieve a more aesthetic control solution.

The DPH is a small two button panel for adjustment of different functions. It is an alternative to a footswitch or hand control in for example:

- Treatment and examination couches
- Treatment chairs
- Nursing tables
- Patient Lifts

The DPH fits into a MJB with a modular plug and thereby compatible with OpenBus.

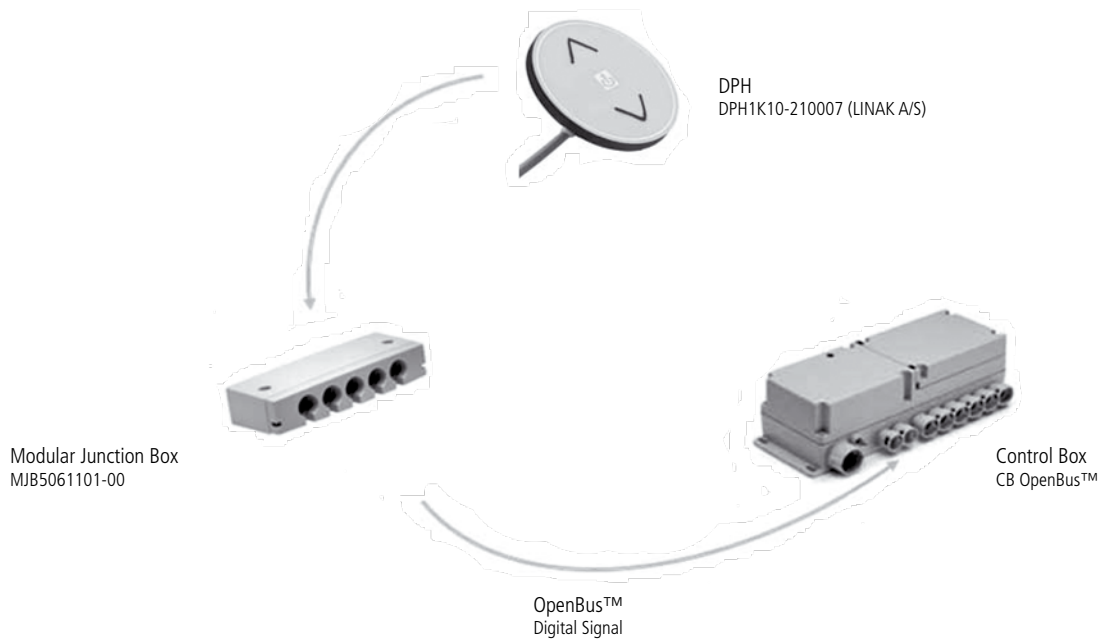


Features:

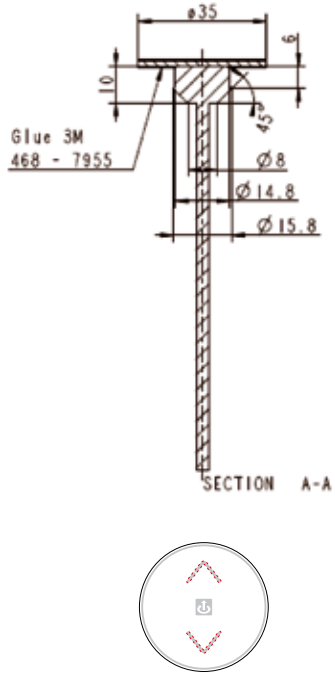
- Up and down activation of 1 function
- Available with white foil and chrome print
- Cable: 1500 mm straight cable, Grey colour RAL 7035
- Cable plug: Modular jack plug type RJ 45
- It is possible to achieve IPX4 by correct mounting in the application

Usage:

- Ambient temperature: +5°C to +40°C
- DPH is compatible with the OpenBus™ control boxes via Modular Junction Box MJB5061101-00 as follows:
Control Boxes: CB6S OBL, CB6S OBM,
 CB6S OBF, CB16 OBL,
 CB16 OBF CB20
Modular Junction Box: MJB5061101-00
- DPH with MJB is approved according to IEC60601-1:2005, 3rd edition, ANSI / AAMI ES60601-1:2005, 3rd edition, CAN / CSA-22.2 No 60601-1:2008.

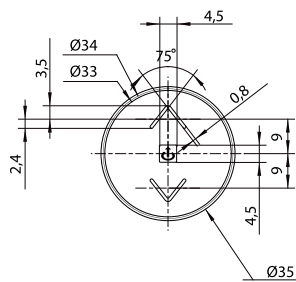
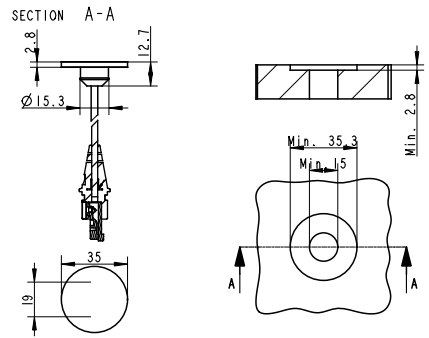


Dimensions:



CIRCUIT DIAGRAM		
J1	wire color	FUNCTION
2	blue	COMMON
8	red	DOWN
9	green	UP

Mounting of the DPH:



Emboss 0,2 - 0,3 mm

Terms of use

The user is responsible for determining the suitability of LINAK products for specific application. LINAK takes great care in providing accurate and up-to-date information on its products.

However, due to continuous development in order to improve its products, LINAK products are subject to frequent modifications and changes without prior notice. Therefore, LINAK cannot guarantee the correct and actual status of said information on its products.

While LINAK uses its best efforts to fulfill orders, LINAK cannot, for the same reasons as mentioned above, guarantee the availability of any particular product. Therefore, LINAK reserves the right to discontinue the sale of any product displayed on its website or listed in its catalogues or other written material drawn up by LINAK.

All sales are subject to the Standard Terms of Sale and Delivery for LINAK. For a copy hereof, please contact LINAK.