



Desk Panel DPH Data sheet

DPH

The DPH Desk Panel is a small, compact and user-friendly panel, which can be used for all kinds of height adjustable desks from heavy-duty workstations to standard office desks. The desk panel is made of foil and has the basic up and down function for adjusting a desk. Because of a small size the DPH is very easy to integrate in the design of the tabletop of a desk, kitchen table or similar. Besides availability in either black or white, the DPH can be customised.



Features:

- Up and down function via the arrows
- Colour: white or black with chrome print
- Black cable : 1580 mm straight with modular jack plug

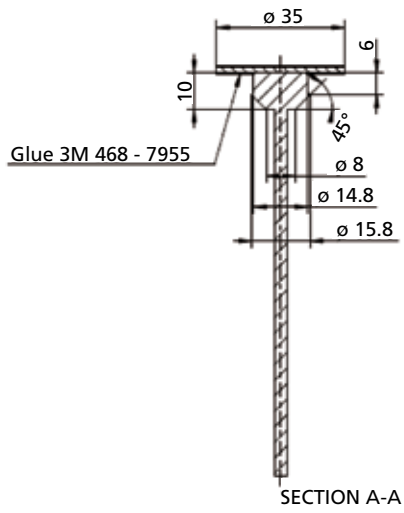
Option:

- Customised colours and design

Usage:

- Ambient temperature +5 °C to +40 °C
- Compatible with CBD4, CBD5, CBD6
- Approved according to EN 60335-1 and UL962

Dimensions:

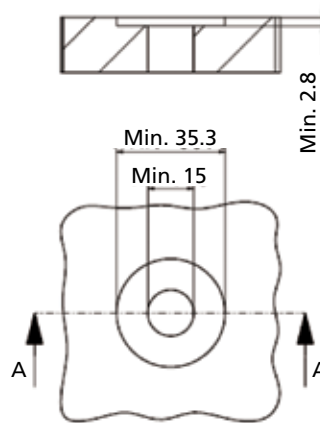
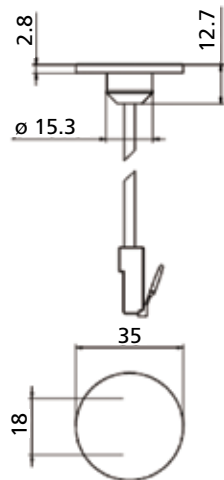


Drawing no.: 0949040



Mounting of the DPH:

SECTION A-A



Drawing no.: 0949040_sales

N.B. The hole in the table top has to be made according to the drawing.

Terms of use

The user is responsible for determining the suitability of LINAK products for specific application. LINAK takes great care in providing accurate and up-to-date information on its products.

However, due to continuous development in order to improve its products, LINAK products are subject to frequent modifications and changes without prior notice. Therefore, LINAK cannot guarantee the correct and actual status of said information on its products.

While LINAK uses its best efforts to fulfill orders, LINAK cannot, for the same reasons as mentioned above, guarantee the availability of any particular product. Therefore, LINAK reserves the right to discontinue the sale of any product displayed on its website or listed in its catalogues or other written material drawn up by LINAK.

All sales are subject to the Standard Terms of Sale and Delivery for LINAK. For a copy hereof, please contact LINAK.