



Desk Panel DPG1M

Data sheet

DPG1M

The Desk Panel DPG1M is a compact desk panel in the DPG series. It features Bluetooth® connection, two favourite positions and a reminder via an LED to remind the users to use their desk. The DPG1M is activated by tilting the desk panel in the same direction as the desk is intended to drive, which makes it an intuitive desk panel. The DPG1M features a modern discreet and angled design. Via pulsating green and orange lights, the LED reminds the users to change positions. Using the integrated Bluetooth® and downloading the Desk Control™ App the user can also be reminded via notifications on computers and smart devices.



Features:

- Intuitive desk panel for office desks
- Reminder function via a LED
- Two favourite positions
- Bluetooth®
- Colour: Black (RAL 9005)
- Black cable with RJ45 modular plug, 1700 mm straight
- PVC-Free™
- Featuring ZERO™: Very low power consumption in standby mode

Options:

- Automatic drive on favourite positions
- Customised logo on front

Usage:

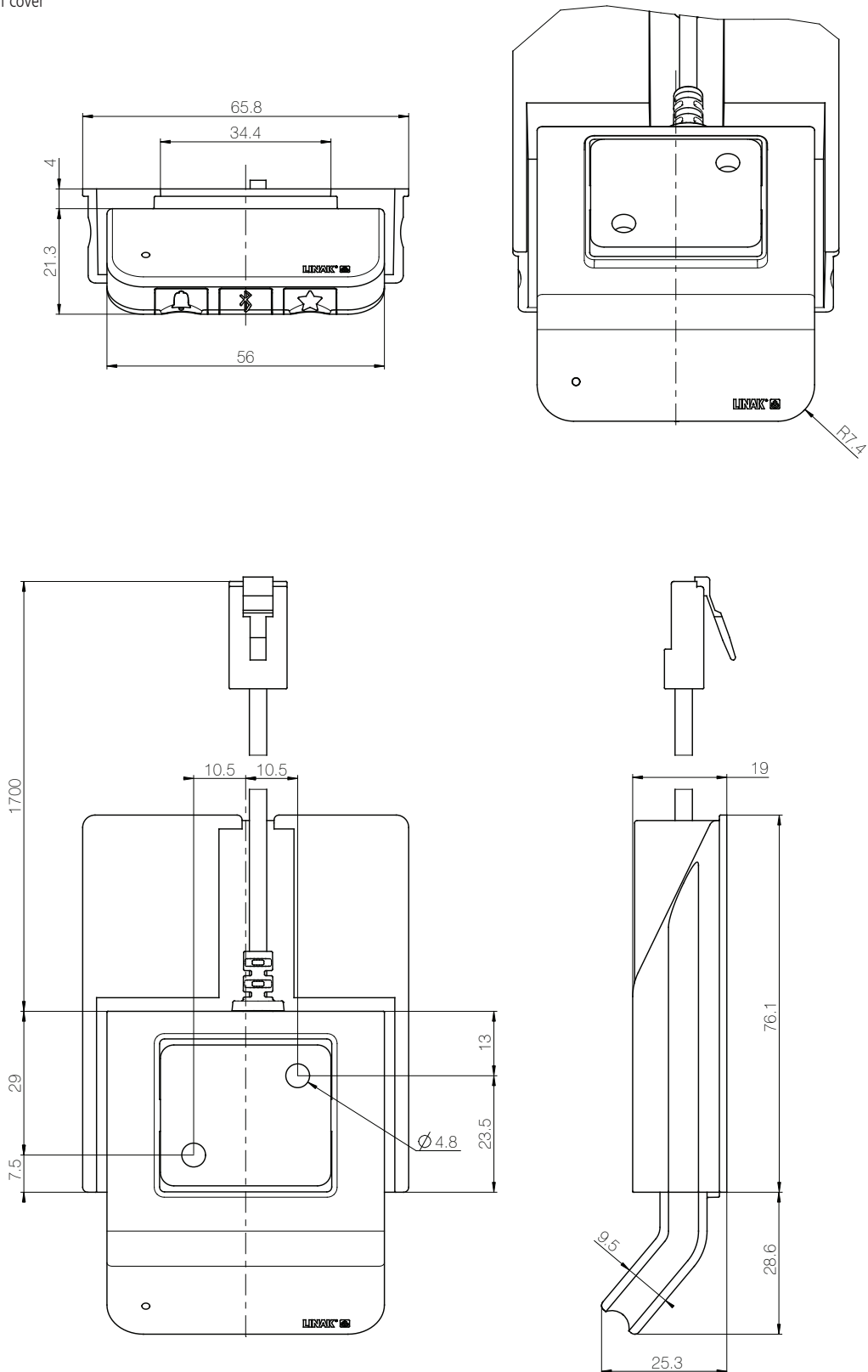
- Compatible with DESKLINE® CBD6S control boxes
- Compatible with Desk Control™ App
- Approved according to EN 60335-1
- Approved according to UL962

Can be used and stored under the following conditions:

Parameter	Operation	Storage
Ambient temperature	5 to 40 °C	-10 to +50 °C
Relative humidity	20 to 80 % at 30 °C	20 to 80 % at 30 °C
Atmospheric pressure	800 to 1060 hPa	700 to 1060 hPa

Dimensional drawings

DPG1M with cover



DPG1M

Ordering example:

DPG 1 M 0 0 - 0 0 0 0 0 6

Cable:	6 = 1700 mm (+/- 70 mm) straight cable with RJ45 modular jack
Standard:	0 = Standard
Housing colour:	0 = Black (RAL 9005)
Standard:	0 = Standard
Standard:	0 = Standard
Mounting:	0 = Standard
Standard:	0 = Standard
Option:	0 = Limited version * 3 = Full version **
Variant:	M = Up and down, favourite positions, Bluetooth® and sit/stand reminder
Channels:	1 = One reference
Type:	DPG

* No wireless control through app and no automatic drive

** Wireless control through app and automatic drive possible

Terms of use

The user is responsible for determining the suitability of LINAK products for specific application. LINAK takes great care in providing accurate and up-to-date information on its products.

However, due to continuous development in order to improve its products, LINAK products are subject to frequent modifications and changes without prior notice. Therefore, LINAK cannot guarantee the correct and actual status of said information on its products.

While LINAK uses its best efforts to fulfill orders, LINAK cannot, for the same reasons as mentioned above, guarantee the availability of any particular product. Therefore, LINAK reserves the right to discontinue the sale of any product displayed on its website or listed in its catalogues or other written material drawn up by LINAK.

All sales are subject to the Standard Terms of Sale and Delivery for LINAK. For a copy hereof, please contact LINAK.