



Desk Panel DPB Data sheet

DPB

The compact design and mounting friendliness of the Desk Panel DPB makes it an optimal choice for height-adjustable desks where only up and down functions are required. The elevated up and down buttons shaped as arrow heads make the panel very intuitive to use. The desk panel is compatible with DESKLINE® control boxes. Optionally, the DPB can be mounted in a drawer so, when not in use, the desk panel can be hidden under the desk and blend perfectly into the desk design.



Features:

- Colour: Housing: Grey (RAL 7016)
Buttons: Light grey (RAL 7038)
- Plastic housing with mounting holes (LINAK does not supply the screws)
- Black, 1580 mm straight cable with modular jack plug
- Soft rubber buttons

Options:

- Drawer (separate article)

Usage:

- Ambient temperature 5 °C to 40 °C
- Compatible with DESKLINE® control boxes and with DL IC systems
- Approved in accordance with EN 60335-1 and UL962

Operation of the DPB in connection with DESKLINE® systems

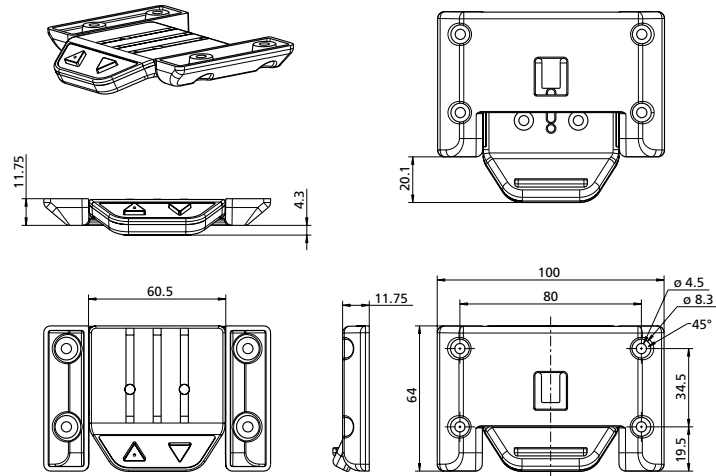
The Desk Panel DPB is used to operate the DESKLINE system. The two arrow buttons are used for single or parallel drive.

Drive (\triangle ∇)

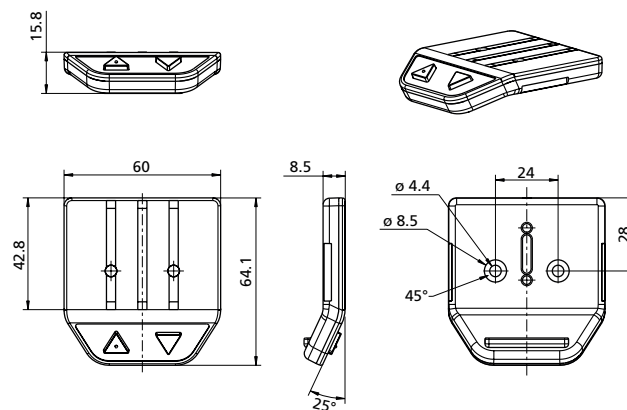
Press and hold one of the arrow buttons to drive the desk up or down.

The desk drives up or down until you release the button or the desk reaches its end position.

Dimensions:

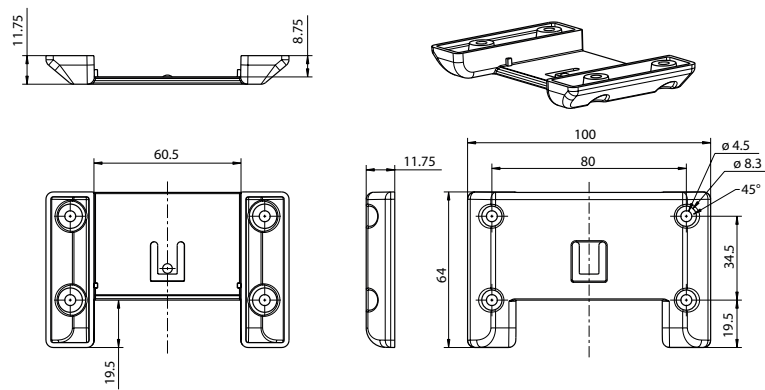


DPB with drawer (dimensions in mm)



DPB without drawer (dimensions in mm)

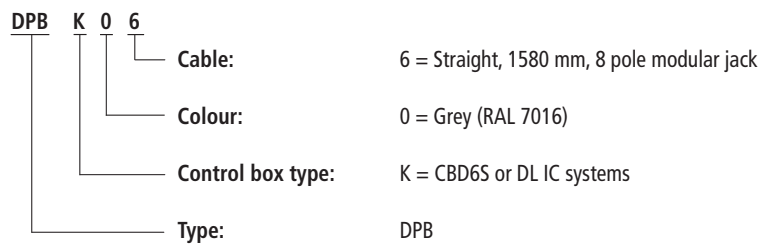
Drawer:



DPB drawer (dimensions in mm)

DPB

Ordering example:



The ordering number for the DPB drawer is SA0622015 and comes in bags of 100 pieces.

LINAK® accepts no responsibility for possible errors or inaccuracies in catalogues, brochures, and other material. LINAK reserves the right to change its products without prior notice. LINAK cannot guarantee product availability and reserves the right to discontinue the sale of any product. The user is responsible for determining the suitability of LINAK products for a specific application. All sales are subject to the 'Standard Terms of Sale and Delivery', available on LINAK websites.

LINAK and the LINAK logotype are registered trademarks of LINAK A/S. All rights reserved.